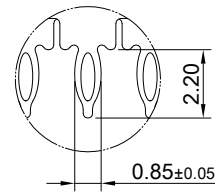
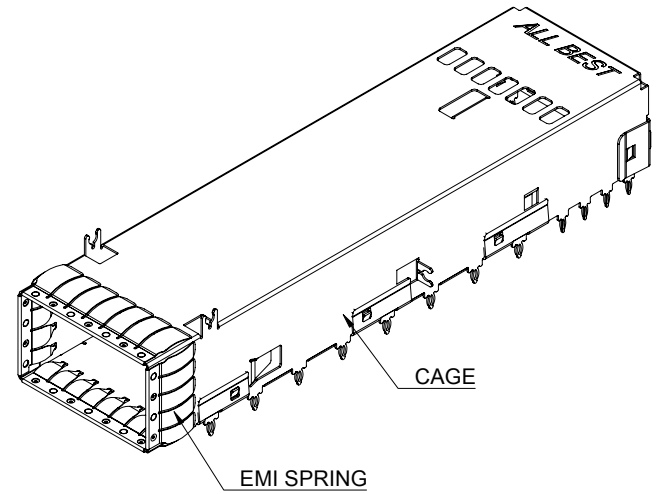
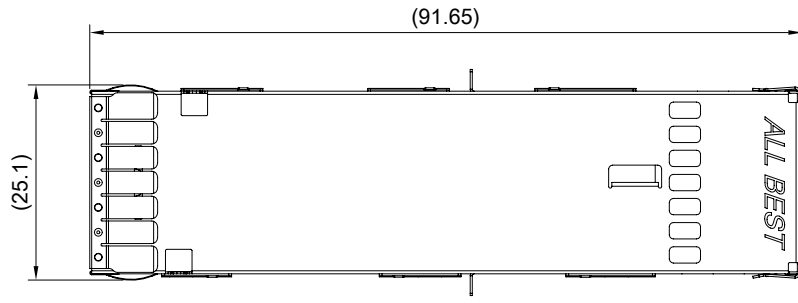


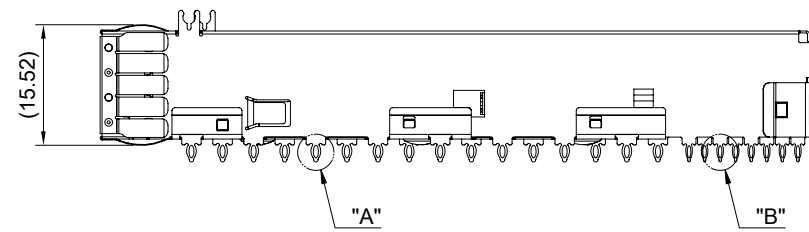
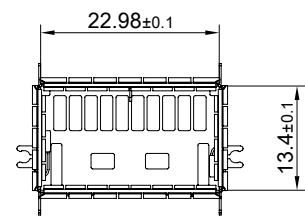
DETAIL A
SCALE 4:1


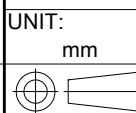


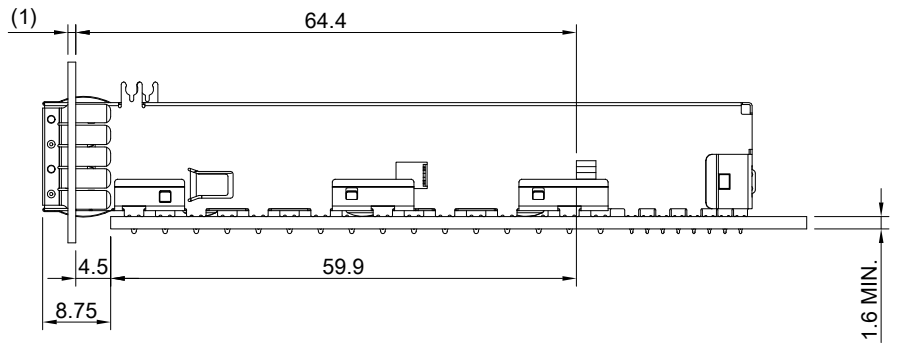
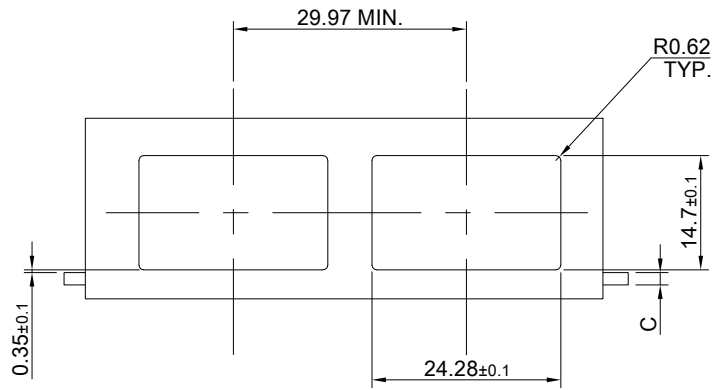
DETAIL B
SCALE 4:1



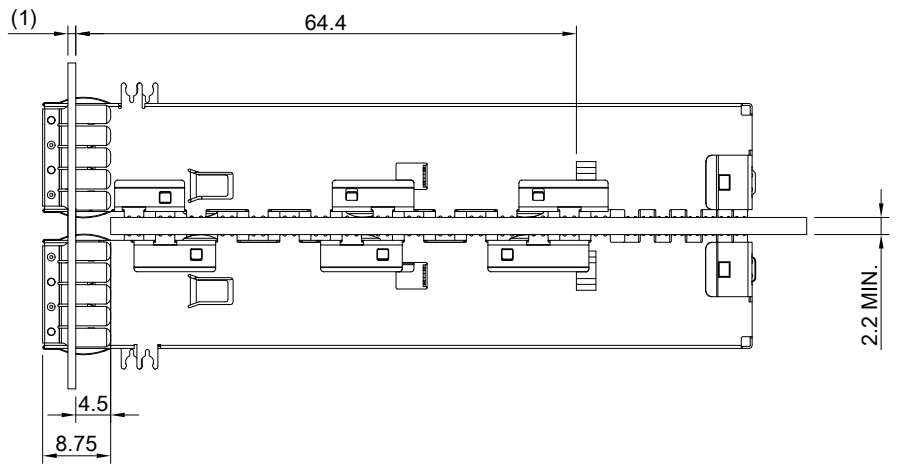
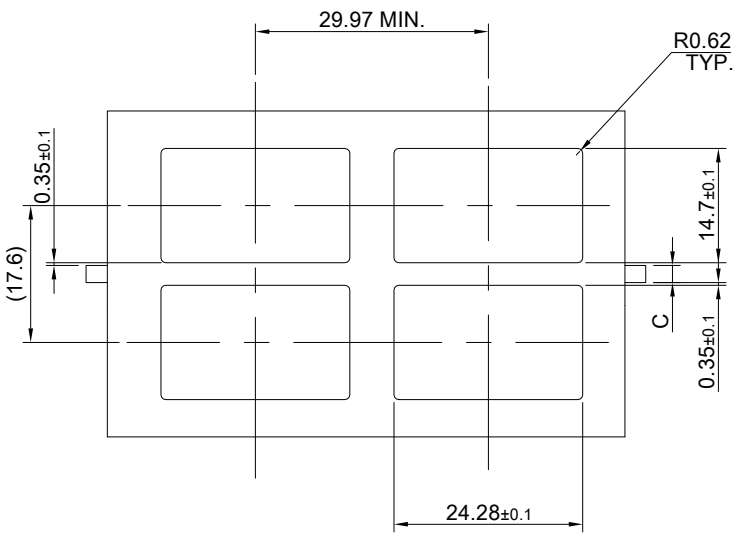
MATERIAL
CAGE: NICKEL SILVER
EMI SPRING: STAINLESS STEEL



	TITLE: OSFP 1X1 Cage Assembly		SHEET: 1/4	REV. B
	DWG#: H-OR-OS1-4CMX3		CHECKED: Gary Kang	
	UNIT: mm	SCALE: A4 1:1	FINISH:	APPROVED: George Yang
	 THIRD ANGLE PROJECTION		MATERIAL: RoHS, HF Compliant	DATE: 11/15/2022
	TOLERANCE: Angle: ± 1° X.± 0.25 .X± 0.20 .XX± 0.15		DRAWN: Kent	



SINGLE-SIDE CONFIGURATION

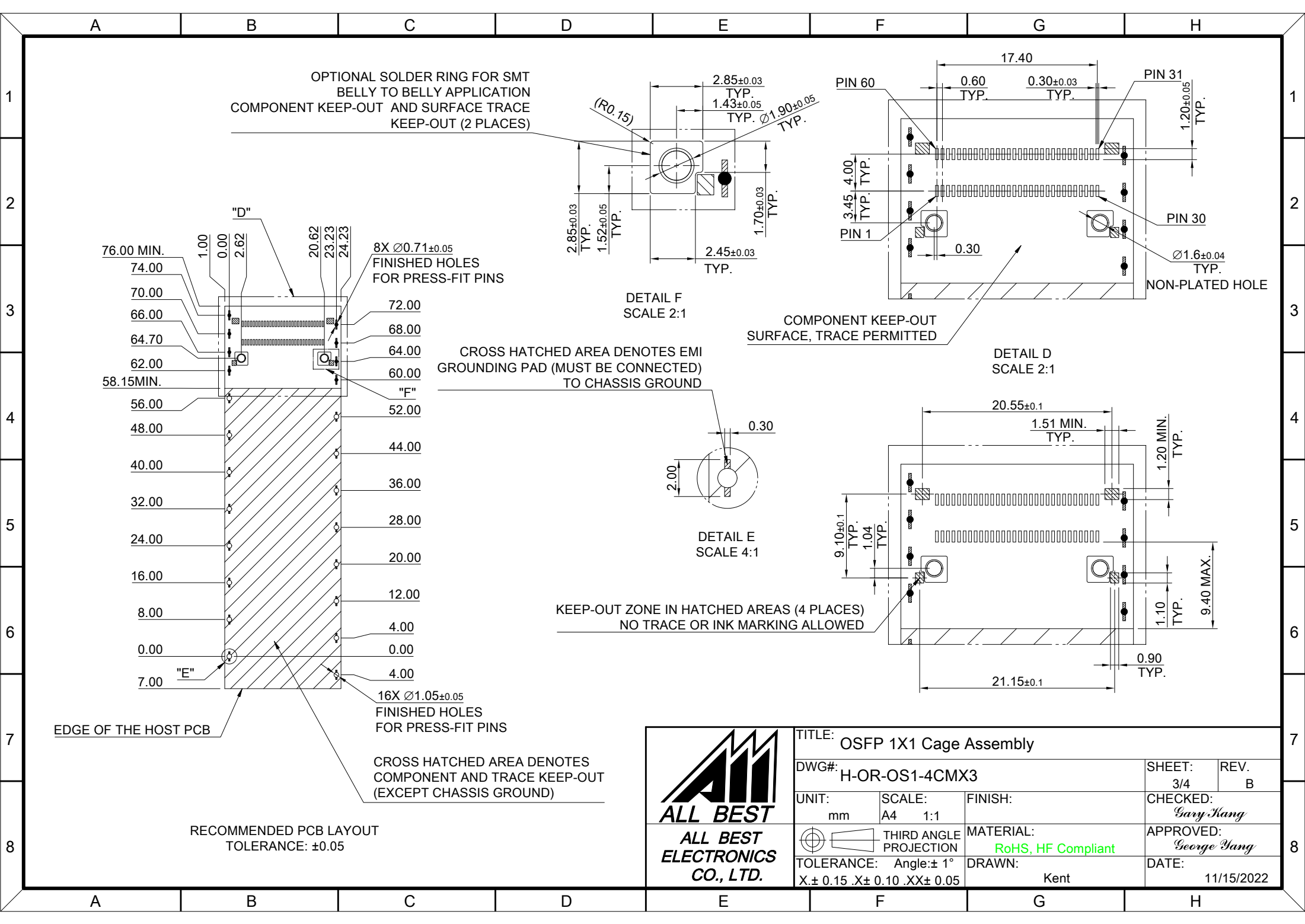


BELLY TO BELLY CONFIGURATION

C = THICKNESS OF PC BOARD
 SINGLE-SIDE = 1.6 MM (MIN.)
 BELLY TO BELLY = 2.2MM (MIN.)

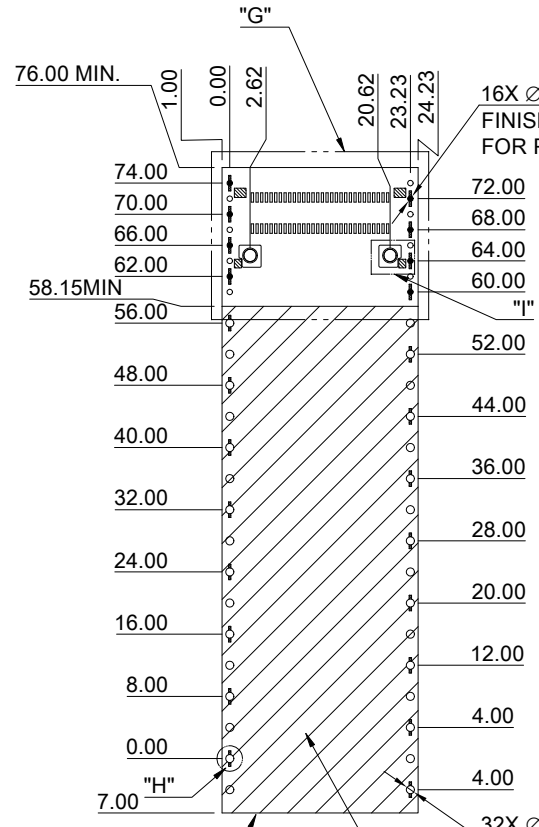
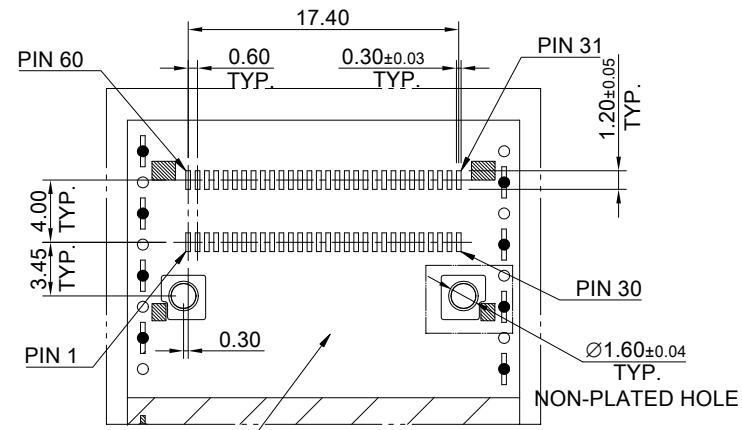
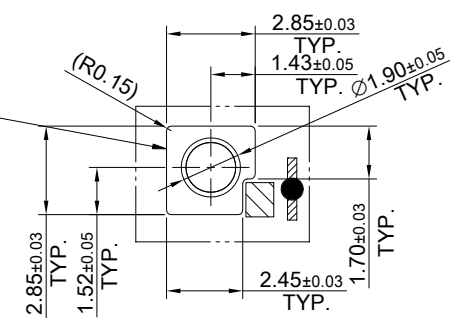


TITLE: OSFP 1X1 Cage Assembly			
DWG#: H-OR-OS1-4CMX3		SHEET: 2/4	REV. B
UNIT: mm	SCALE: A4 1:1	FINISH:	CHECKED: Gary Kang
TOLERANCE: Angle: ± 1° X ± 0.15 .X ± 0.10 .XX ± 0.05		MATERIAL: RoHS, HF Compliant	APPROVED: George Yang
		DRAWN: Kent	DATE: 11/15/2022

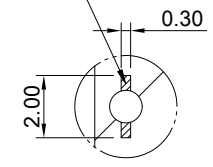


TITLE: OSFP 1X1 Cage Assembly			
DWG#: H-OR-OS1-4CMX3		SHEET: 3/4	REV. B
UNIT: mm	SCALE: A4 1:1	CHECKED: Gary Kang	
TOLERANCE: Angle: $\pm 1^\circ$ X ± 0.15 .X ± 0.10 .XX ± 0.05		MATERIAL: RoHS, HF Compliant	APPROVED: George Yang
DRAWN: Kent		DATE: 11/15/2022	

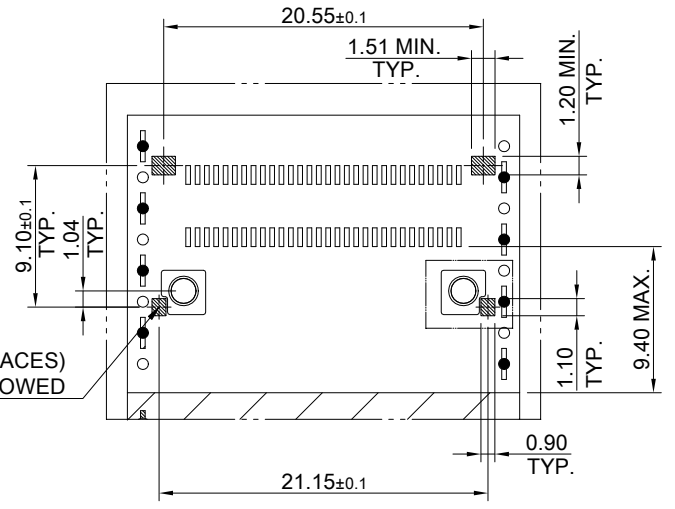
OPTIONAL SOLDER RING FOR SMT BELLY TO BELLY APPLICATION
COMPONENT KEEP-OUT AND SURFACE TRACE KEEP-OUT (2 PLACES)



CROSS HATCHED AREA DENOTES EMI GROUNDING PAD (MUST BE CONNECTED TO CHASSIS GROUND)



KEEP-OUT ZONE IN HATCHED AREAS (4 PLACES)
NO TRACE OR INK MARKING ALLOWED



EDGE OF THE HOST PCB

32X Ø1.05±0.05 FINISHED HOLES FOR PRESS-FIT PINS

CROSS HATCHED AREA DENOTES COMPONENT AND TRACE KEEP-OUT (EXCEPT CHASSIS GROUND)

RECOMMENDED PCB LAYOUT
TOLERANCE: ±0.05

	TITLE: OSFP 1X1 Cage Assembly		SHEET: 4/4	REV. B
	DWG#: H-OR-OS1-4CMX3		CHECKED: Gary Kang	
	UNIT: mm	SCALE: A4 1:1	FINISH:	APPROVED: George Yang
	TOLERANCE: X± 0.15 .X± 0.10 .XX± 0.05		MATERIAL: RoHS, HF Compliant	DATE: 11/15/2022
THIRD ANGLE PROJECTION		DRAWN: Kent		