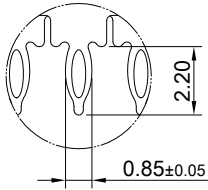
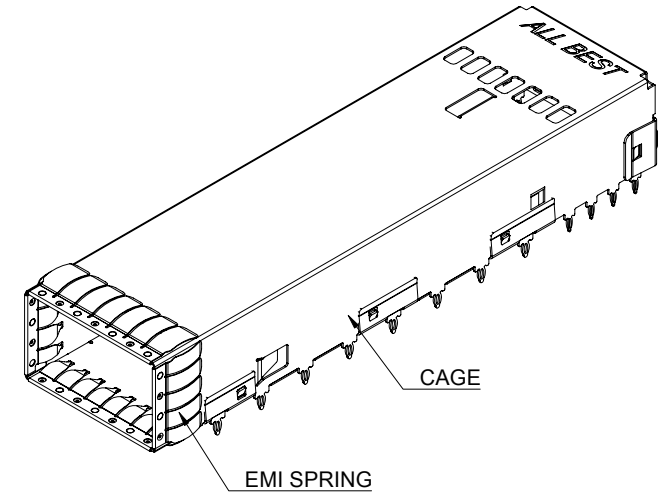
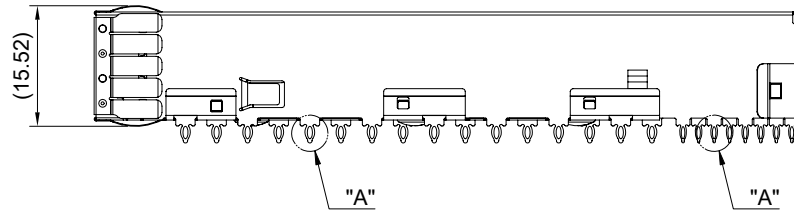
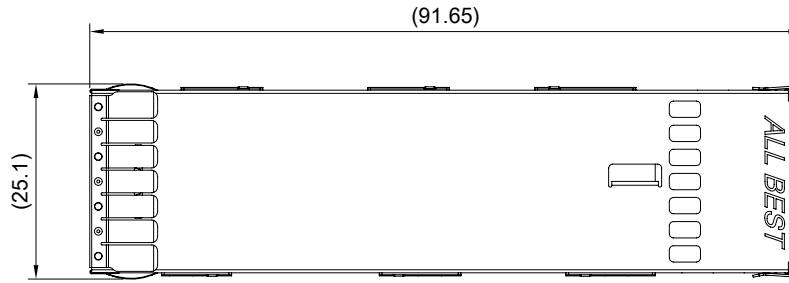
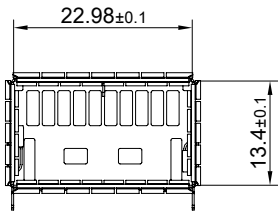


DETAIL A
SCALE 4:1



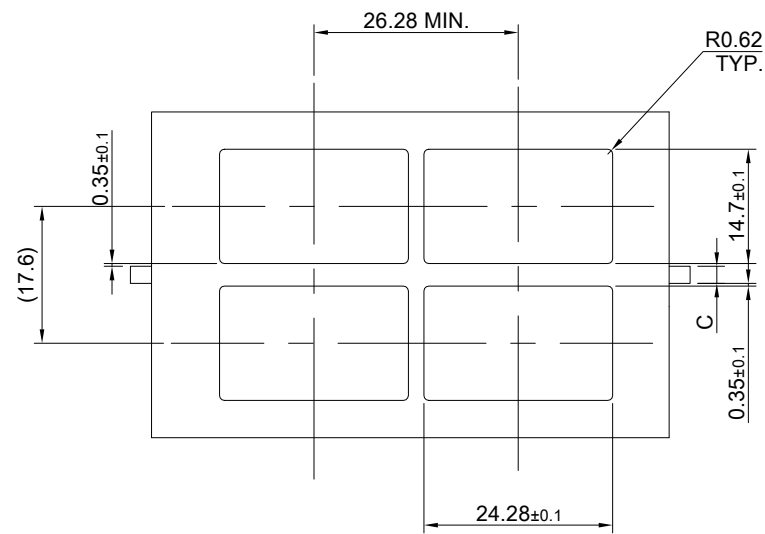
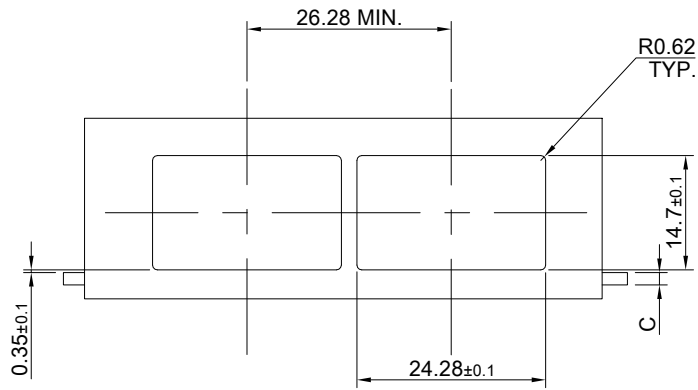
DETAIL B
SCALE 4:1



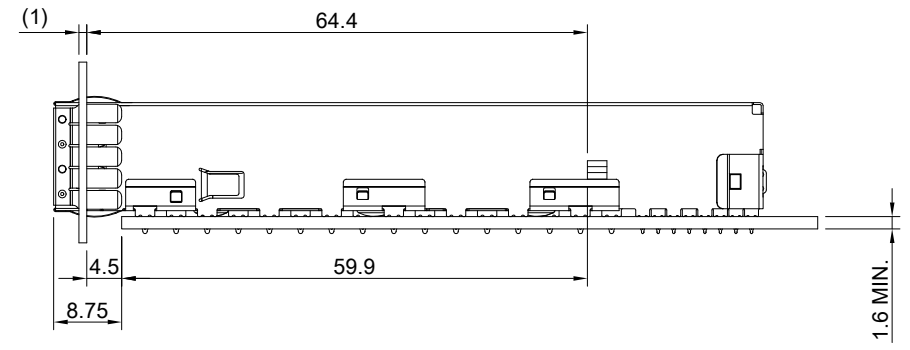
MATERIAL
CAGE: NICKEL SILVER
EMI SPRING: STAINLESS STEEL



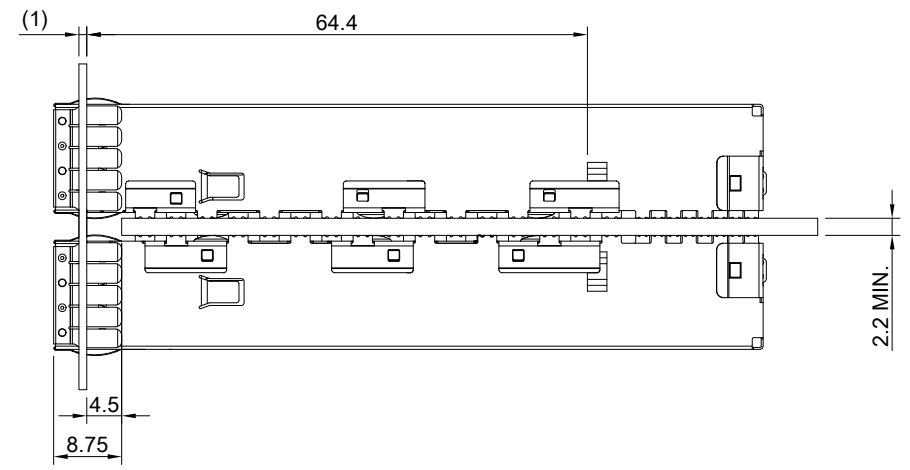
TITLE: OSFP 1X1 Cage Assembly		SHEET: 1/4	REV. B
DWG#: H-OR-OS1-4CMX1		CHECKED: Gary Kang	
UNIT: mm	SCALE: A4 1:1	APPROVED: George Yang	
TOLERANCE: Angle: ± 1° X.± 0.25 .X± 0.20 .XX± 0.15		MATERIAL: RoHS, HF Compliant	DATE: 11/15/2022
THIRD ANGLE PROJECTION		DRAWN: Kent	




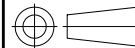
C = THICKNESS OF PC BOARD
 SINGLE-SIDE = 1.6 MM (MIN.)
 BELLY TO BELLY = 2.2MM (MIN.)

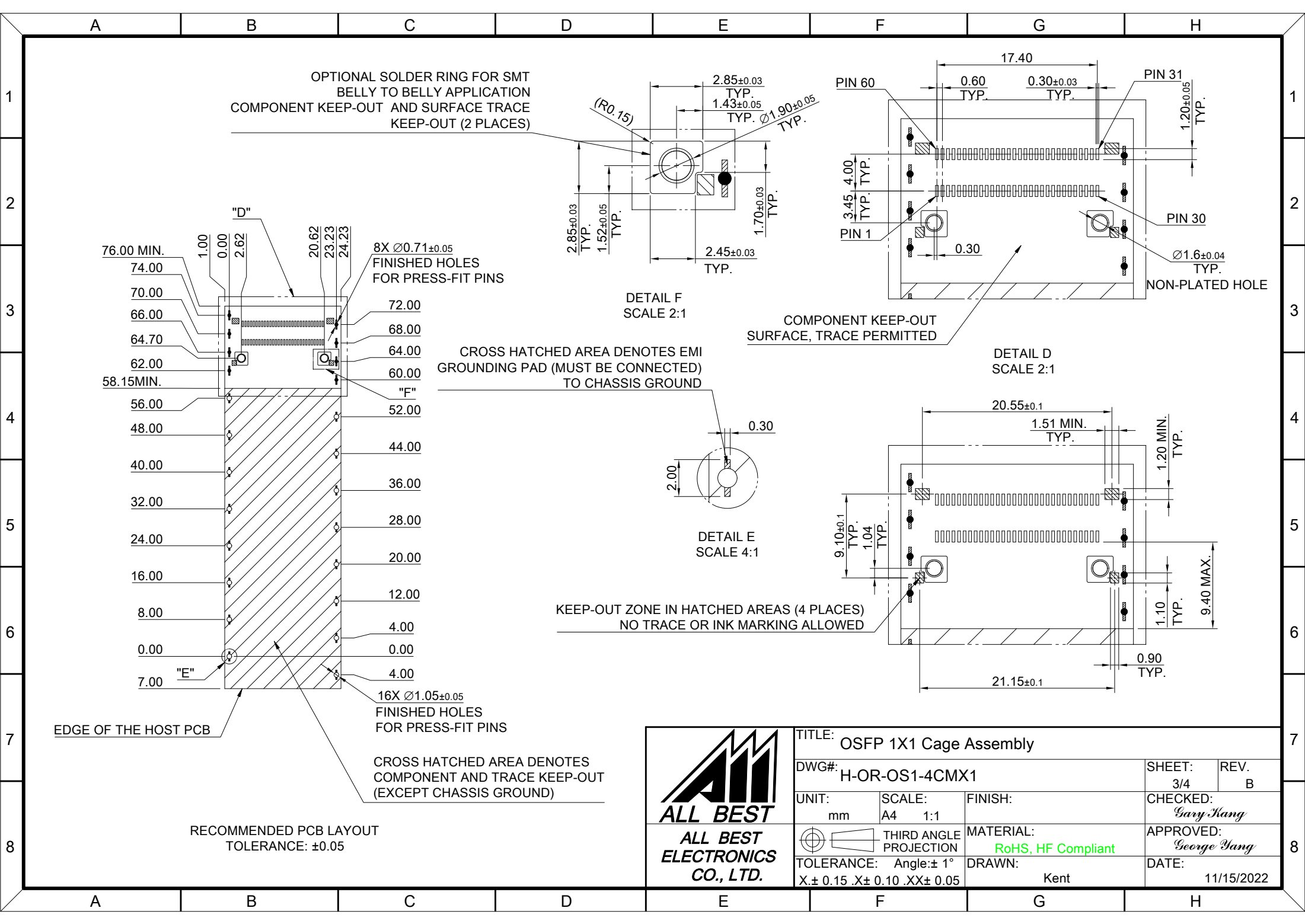


SINGLE-SIDE CONFIGURATION

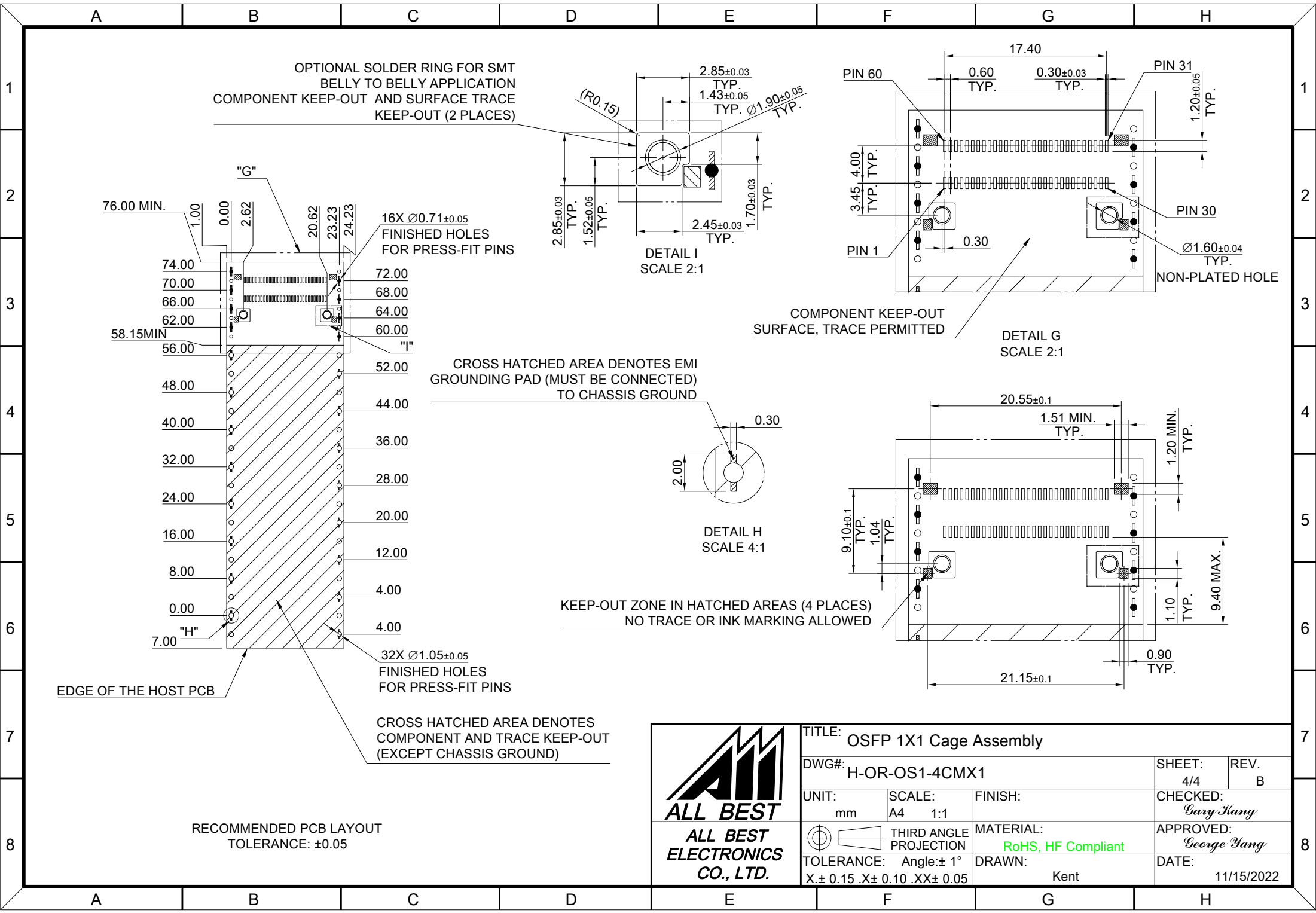


BELLY TO BELLY CONFIGURATION

 ALL BEST ELECTRONICS CO., LTD.	TITLE: OSFP 1X1 Cage Assembly		SHEET: 2/4	REV. B
	DWG#: H-OR-OS1-4CMX1		CHECKED: Gary Kang	
	UNIT: mm	SCALE: A4 1:1	FINISH:	APPROVED: George Yang
	 THIRD ANGLE PROJECTION		MATERIAL: RoHS, HF Compliant	DATE: 11/15/2022
	TOLERANCE: Angle: ± 1° X ± 0.15 .X ± 0.10 .XX ± 0.05		DRAWN: Kent	



TITLE: OSFP 1X1 Cage Assembly			
DWG#: H-OR-OS1-4CMX1		SHEET: 3/4	REV. B
UNIT: mm	SCALE: A4 1:1	CHECKED: Gary Kang	
THIRD ANGLE PROJECTION		APPROVED: George Yang	
TOLERANCE: Angle: $\pm 1^\circ$		DATE: 11/15/2022	
X. ± 0.15 .X ± 0.10 .XX ± 0.05		DRAWN: Kent	



TITLE: OSFP 1X1 Cage Assembly		SHEET: 4/4	REV. B
DWG#: H-OR-OS1-4CMX1		CHECKED: Gary Kang	
UNIT: mm	SCALE: A4 1:1	APPROVED: George Yang	
FINISH:		DATE: 11/15/2022	
THIRD ANGLE PROJECTION		MATERIAL: RoHS, HF Compliant	
TOLERANCE: Angle: $\pm 1^\circ$ X. ± 0.15 .X ± 0.10 .XX ± 0.05		DRAWN: Kent	