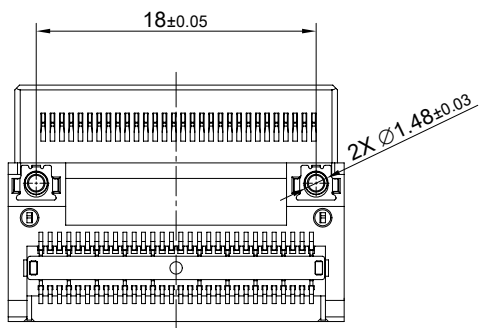
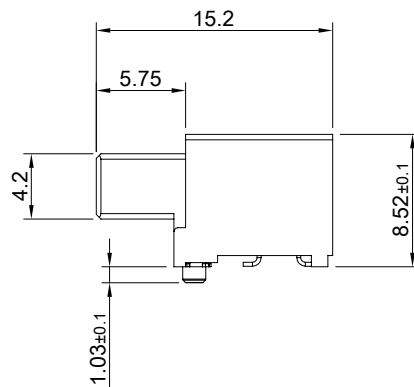
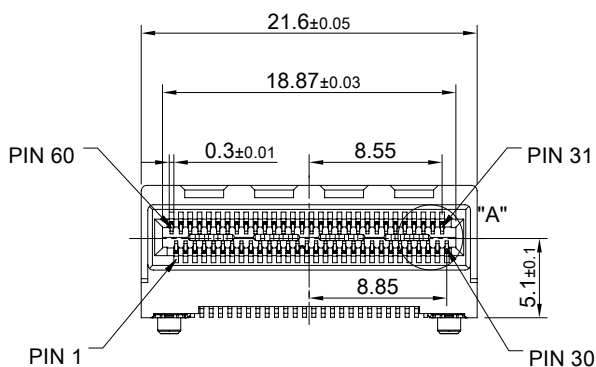
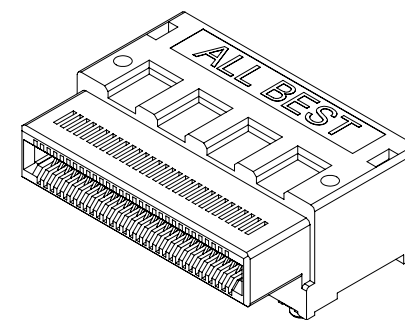


DETAIL A
SCALE 4:1



MATERIALS
CONTACTS: COPPER ALLOY
HOUSING: LCP THERMOPLASTIC 94V-0 (BLACK)

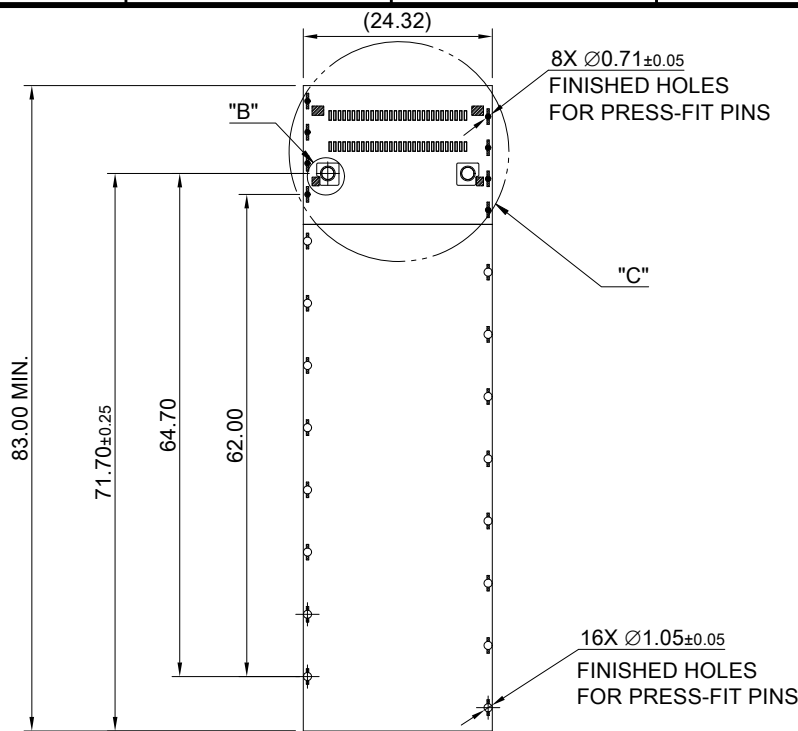
ELECTRICAL CHARACTERISTICS
CONTACT CURRENT RATING: 0.5 AMPERE
DIELECTRIC WITHSTANDING VOLTAGE: 300 VAC
VOLTAGE RATING: 30 VDC
CONTACT RESISTANCE: 35 mΩ MAX.

FINISHES
CONTACTS: 15μ" MIN. GOLD ON MATING END;
MATTE TIN ON TERMINATION END;
ALL UNDERPLATED NICKEL

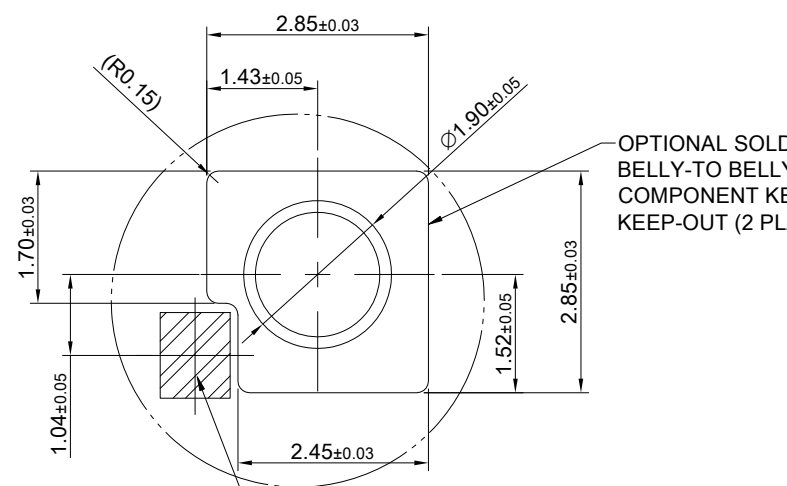
ENVIRONMENT
OPERATION TEMPERATURE: -55°C TO +85°C
SMT TEMPERATURE: 260°C



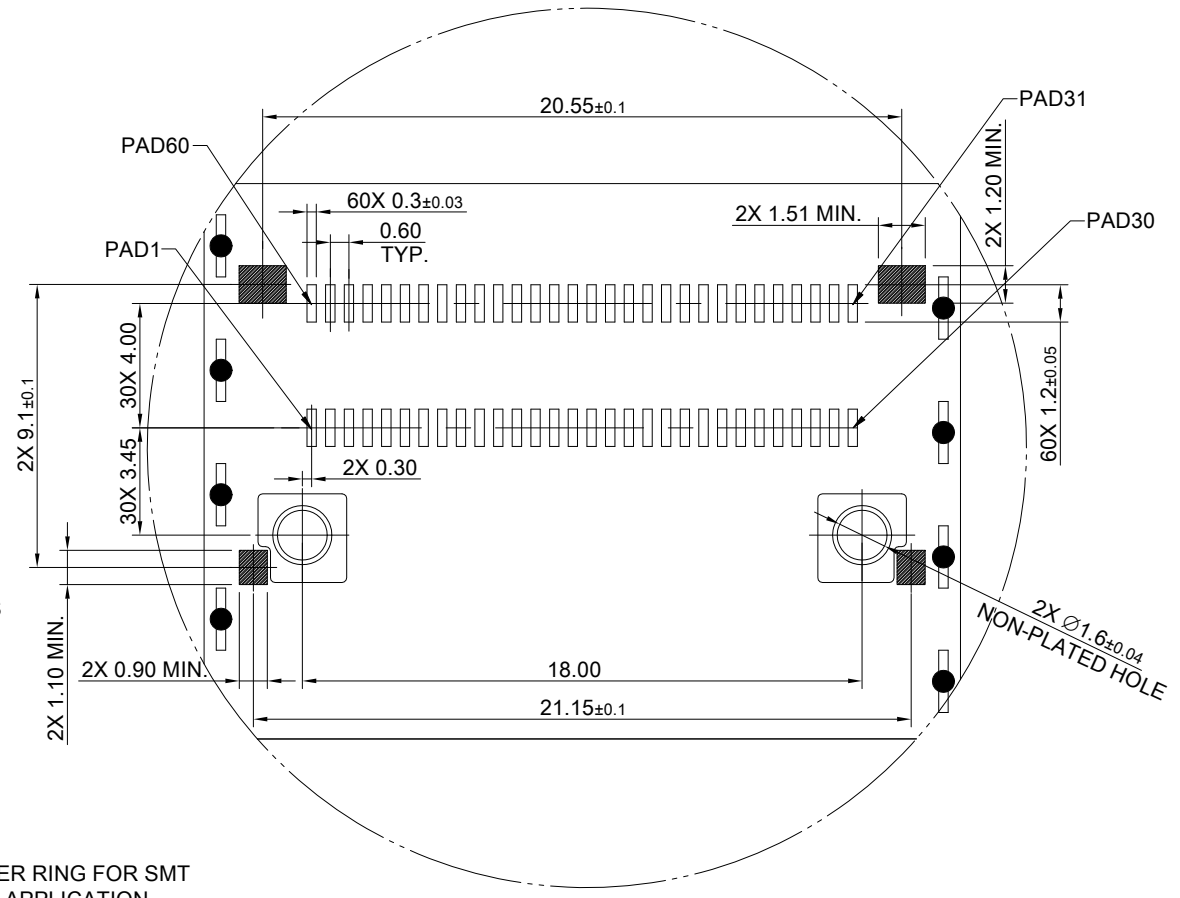
TITLE: OSFP 60Pin SMT Connector			
DWG#: R-CT-OS8-9CXX		SHEET: 1/2	REV. A
UNIT: mm	SCALE: A4 2:1	CHECKED: Gary Kang	
THIRD ANGLE PROJECTION		APPROVED: George Yang	
TOLERANCE: Angle: ± 1°		DATE: 06/08/2020	
X.± 0.25 .XX± 0.15		DRAWN: Sheng	



RECOMMENDED PCB LAYOUT
TOLERANCE: ±0.05



DETAIL B
SCALE 10:1



DETAIL C
SCALE 4:1

	TITLE: OSFP 60Pin SMT Connector			SHEET: 2/2	REV. A
	DWG#: R-CT-OS8-9CXX			CHECKED: Gary Kang	
	UNIT: mm	SCALE: A4 1:1	FINISH:	APPROVED: George Yang	
	TOLERANCE: Angle: ± 1° X ± 0.15 .X ± 0.10 .XX ± 0.05		MATERIAL: RoHS Compliant	DATE: 06/08/2020	
DRAWN: Sheng					