

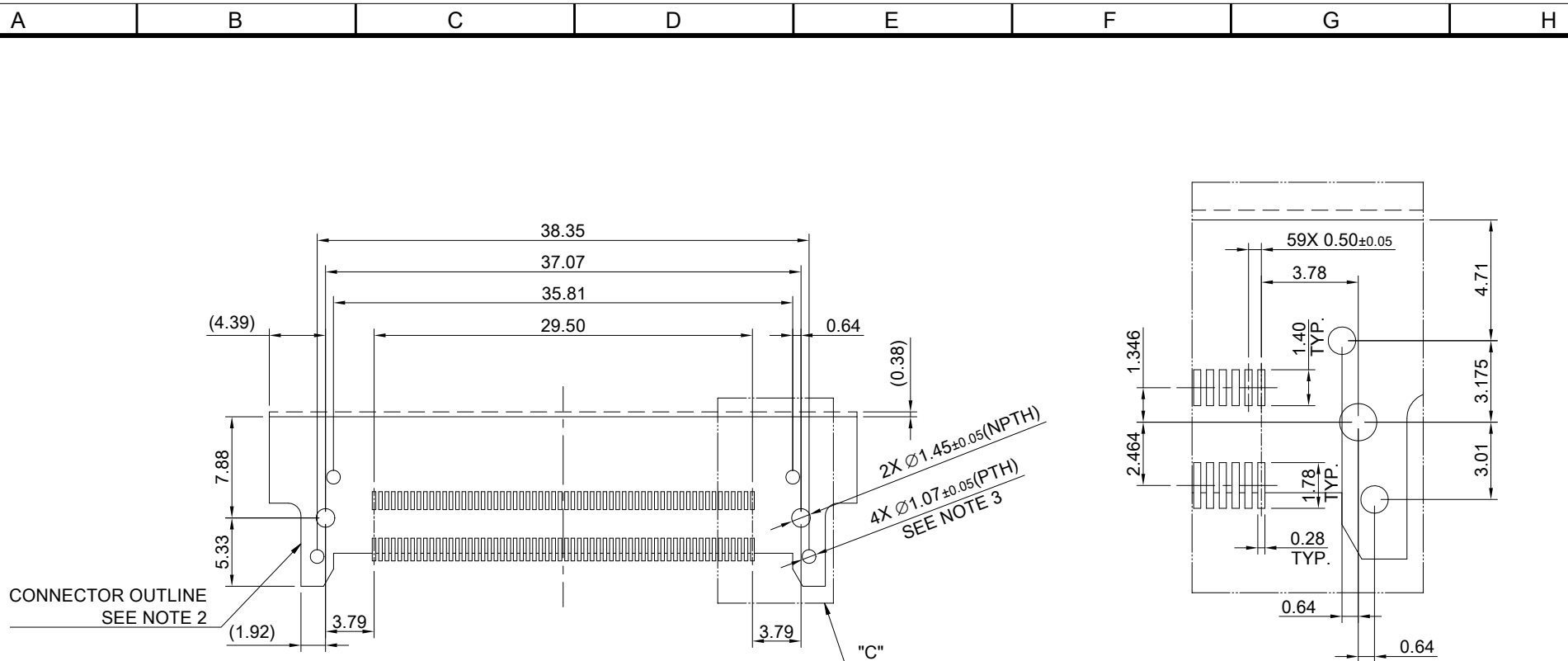
**MATERIAL**  
 CONTACTS: COPPER ALLOY  
 INSULATOR: LCP THERMOPLASTIC 94V-0

**FINISH**  
 CONTACTS: 5μ" MIN. GOLD ON MATING END;  
 100μ" MIN. MATTE TIN ON SOLDER FOOT AREA  
 ALL UNDERPLATED NICKEL

**ELECTRICAL CHARACTERISTICS**  
 CONTACT CURRENT RATING: 2 AMPERE  
 VOLTAGE RATING: 275VAC  
 MAX CYCLES: 100

**ENVIRONMENT**  
 OPERATION TEMPERATURE: -55°C TO 125°C  
 SMT TEMPERATURE: 260°C

	TITLE: 0.50mm Double Row Right Angle Socket Strip (Gen.3)			SHEET: 1/2		REV. D	
	DWG#: R-BF-059-9AX1			CHECKED: <i>Sheng Wu</i>		APPROVED: <i>George Yang</i>	
	UNIT: mm	SCALE: A4 2:1	FINISH:	MATERIAL: <b>RoHS Compliant</b>		DATE: 08/09/2022	
	TOLERANCE: Angle: ± 1° X: ± 0.25 .X ± 0.20 .XX ± 0.15		THIRD ANGLE PROJECTION	DRAWN: Tony			



TOLERANCE: ±0.05

DETAIL C  
SCALE 2:1

- NOTE
1. ALL DIMENSIONS ARE SYMMETRIC ABOUT THE CENTERLINE.
  2. CONNECTOR OUTLINE. OTHER COMPONENTS PLACED ON PCB, SHALL AVOID THIS AREA.
  3. TO BE SOLDERED USING PASTE IN HOLE TECHNOLOGY.FLOW SOLDER.
  4. NOT RECOMMENDED FOR INVERTED REFLOW SOLDER.
  5. ASSEMBLY COPLANARITY OF DOUBLE ROW : 0.1MM

<p><b>ALL BEST</b> ELECTRONICS CO., LTD.</p>		TITLE: 0.50mm Double Row Right Angle Socket Strip (Gen.3)	
		DWG#: R-BF-059-9AX1	
UNIT: mm	SCALE: A4 2:1	FINISH:	SHEET: 2/2 REV. D
THIRD ANGLE PROJECTION		MATERIAL: RoHS Compliant	CHECKED: <i>Sheng Wu</i>
TOLERANCE: Angle:± 1° X.± 0.15 .X± 0.10 .XX± 0.05		DRAWN: Tony	APPROVED: <i>George Yang</i>
			DATE: 08/09/2022