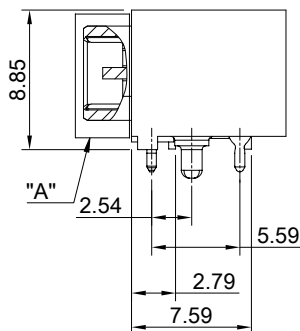
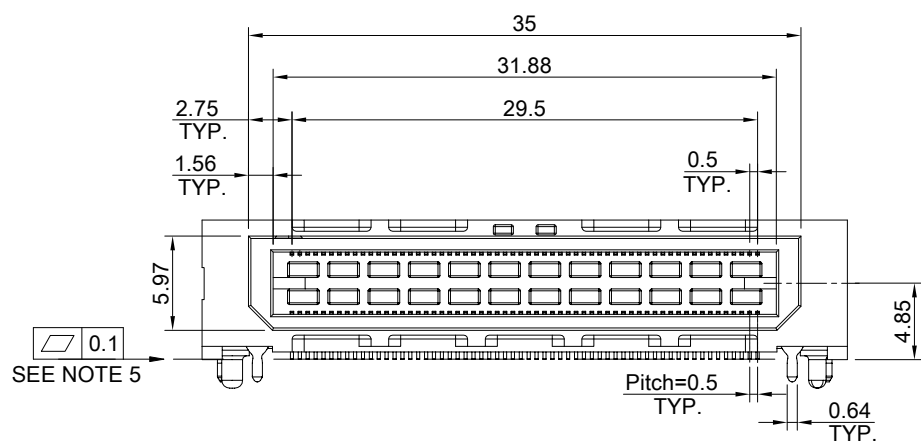
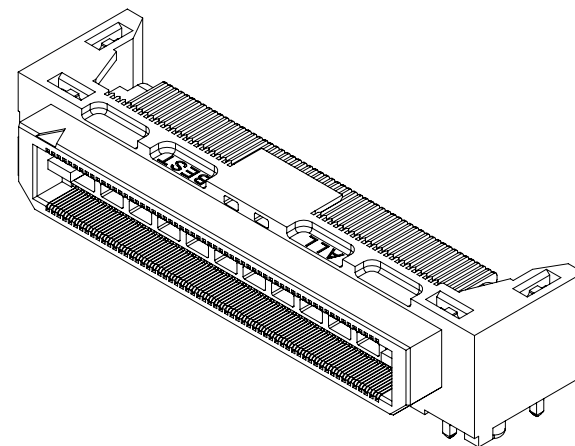


DETAIL A
SCALE 2:1

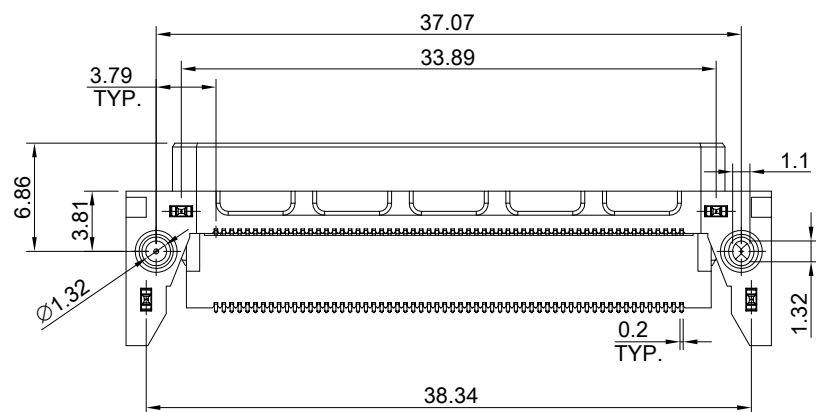


MATERIAL
CONTACTS: COPPER ALLOY
INSULATOR: LCP THERMOPLASTIC 94V-0

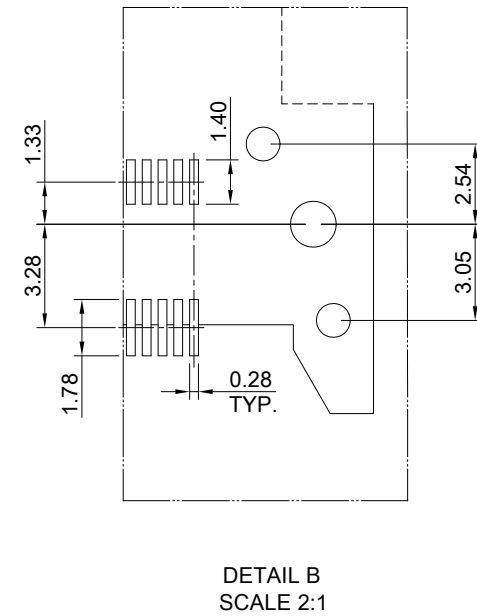
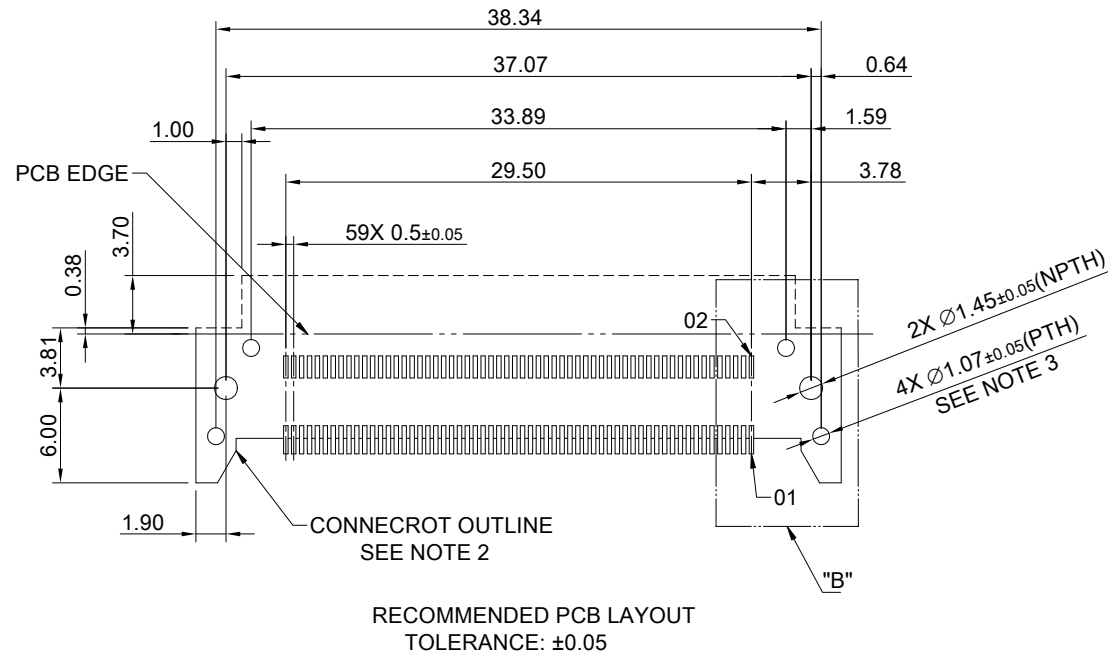
FINISH
CONTACTS: 5μ" MIN. GOLD ON MATING END;
100μ" MIN. MATTE TIN ON SOLDER FOOT AREA
ALL UNDERPLATED NICKEL

ELECTRICAL CHARACTERISTICS
CONTACT CURRENT RATING: 2 AMPERE
VOLTAGE RATING: 275VAC
MAX CYCLES: 100

ENVIRONMENT
OPERATION TEMPERATURE: -55°C TO 125°C
SMT TEMPERATURE: 260°C



<p>ALL BEST ELECTRONICS CO., LTD.</p>	TITLE: 0.50mm 120 Pin Double Row Right Angle Terminal Assembly (Gen.3)		SHEET: 1/2		REV. C
	DWG#: R-BM-059-9AX1		CHECKED: Gary Yang		APPROVED: George Yang
	UNIT: mm	SCALE: A4 2:1	FINISH:	MATERIAL: RoHS Compliant	
	TOLERANCE: Angle: ± 1° X. ± 0.25 .X ± 0.20 .XX ± 0.15		DRAWN: Tony	DATE: 08/04/2021	



- NOTE :
1. ALL DIMENSIONS ARE SYMMETRIC ABOUT THE CENTERLINE.
 2. CONNECTOR OUTLINE. OTHER COMPONENTS PLACED ON PCB, SHALL AVOID THIS AREA.
 3. TO BE SOLDERED USING PASTE IN HOLE TECHNOLOGY.
 4. NOT RECOMMENDED FOR INVERTED REFLOW SOLDER.
 5. ASSEMBLY COPLANARITY OF DOUBLE ROW : 0.1MM

	TITLE: 0.50mm 120 Pin Double Row Right Angle Terminal Assembly (Gen.3)		
	DWG#: R-BM-059-9AX1		SHEET: 2/2
UNIT: mm	SCALE: A4 2:1	FINISH:	CHECKED: Gary Kang
	THIRD ANGLE PROJECTION	MATERIAL: RoHS Compliant	APPROVED: George Yang
	TOLERANCE: Angle:± 1° X.± 0.15 .X± 0.1 .XX± 0.05	DRAWN: Tony	DATE: 08/04/2021