

MATERIAL
 CONTACTS: COPPER ALLOY
 INSULATOR: LCP THERMOPLASTIC 94V-0
 WELD TAB: COPPER ALLOY

FINISH
 CONTACTS: 5μ" MIN. GOLD ON MATING END;
 MATTE TIN ON SOLDER
 ALL UNDERPLATED NICKEL
 WELD TAB: MATTE TIIN

ELECTRICAL
 CONTACT CURRENT RATING: 2 AMPERE
 VOLTAGE RATING: 275VAC
 MAX CYCLES: 25

ENVIRONMENT
 OPERATION TEMPERATURE: -55°C TO 125°C
 SMT TEMPERATURE: 260°C

THIS PRINT IS
PRELIMINARY
 UNQUALIFIED PRODUCT
 CONTACT PRODUCT ENGINEERING
 BEFORE USING THIS PRINT



TITLE: COM-HPC 400pin Male Connector w/ Weld Tab

DWG#: R-CM-HPC400-8AW1

UNIT: mm

SCALE: A4 5:4

FINISH:

SHEET: 1/3
 REV. REF2

THIRD ANGLE PROJECTION

MATERIAL:
 RoHS Compliant

APPROVED:

TOLERANCE: Angle: ± 1°
 X: ± 0.25 .X: ± 0.20 .XX: ± 0.15

DRAWN: Ting

DATE: 03/22/2024

A B C D E F G H

1 1

2 2

3 3

4 4

5 5

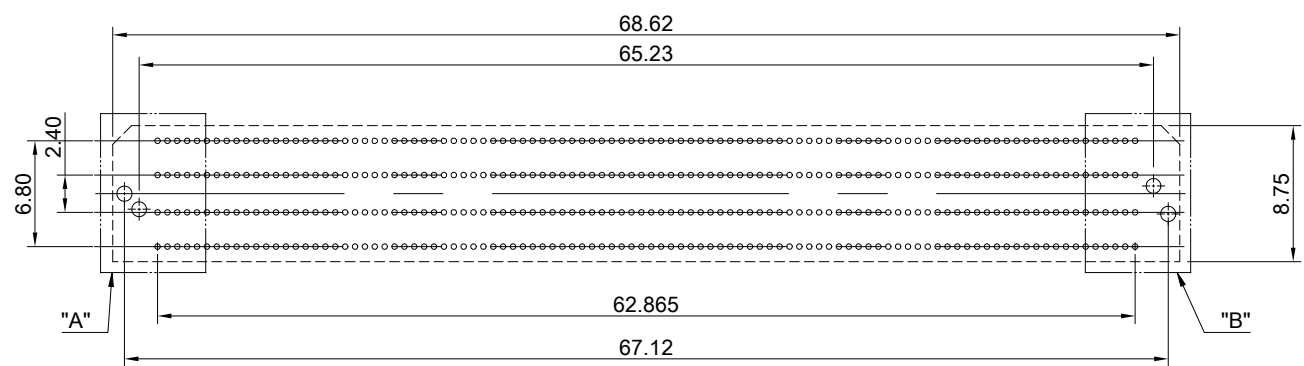
6 6

7 7

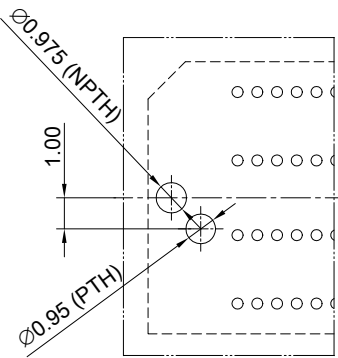
8 8



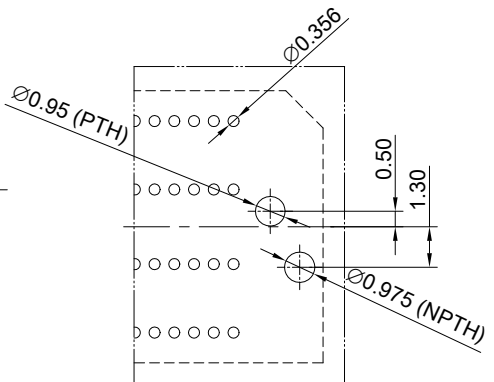
CONNECTOR OUTLINE
OTHER COMPONENTS ON PCB SHALL
AVOID THIS ZONE



RECOMMENDED PCB LAYOUT
TOLERANCE: ± 0.05



DETAIL A
SCALE 2:1



DETAIL B
SCALE 2:1

THIS PRINT IS
PRELIMINARY
UNQUALIFIED PRODUCT
CONTACT PRODUCT ENGINEERING
BEFORE USING THIS PRINT

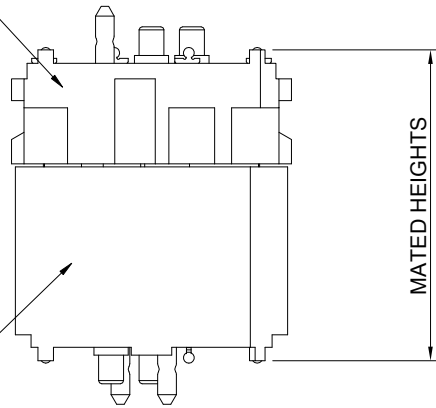


TITLE: COM-HPC 400pin Male Connector w/ Weld Tab			
DWG#: R-CM-HPC400-8AW1		SHEET: 2/3	REV. REF2
UNIT: mm	SCALE: A4 2:1	FINISH:	CHECKED:
TOLERANCE: $X \pm 0.15$.X ± 0.10 .XX ± 0.05		MATERIAL: RoHS Compliant	APPROVED:
THIRD ANGLE PROJECTION		DRAWN: Ting	DATE: 03/22/2024

A B C D E F G H

FEMALE: R-CF-HPC400-8AW1

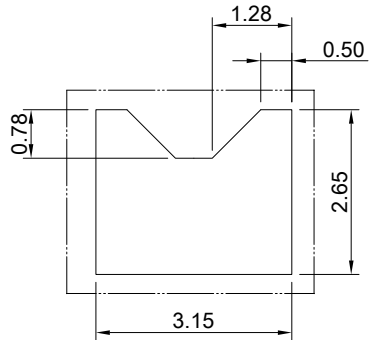
MALE: SEE TYPE



TYPE	MATED HEIGHTS
R-CM-HPC400-8AW1	5mm
R-CM-HPC400-8AW2	10mm

NOTE: Processing conditions will affect mated height.

PROCESSING VIEW
 DIMENSION INDICATES CONNECTOR/FIXTURE HEIGHT ON PCB
 TO GUARANTEE ENOUGH REFLOW OVEN WORKING SPACE.
 DIMENSION, PCB THICKNESS, AND THE HEIGHT OF THE COMPONENTS
 ON THE OTHER SIDE OF THE BOARD NEED TO BE CONSIDERED.



DETAIL C
SCALE 2:1



RECOMMENDED STENCIL LAYOUT
 ALL DIMENSIONS SYMMETRIC ABOUT CENTERLINE
 STENCIL TO BE 0.125mm THICK

THIS PRINT IS
PRELIMINARY
 UNQUALIFIED PRODUCT
 CONTACT PRODUCT ENGINEERING
 BEFORE USING THIS PRINT



TITLE: COM-HPC 400pin Male Connector w/ Weld Tab

DWG#: R-CM-HPC400-8AW1

UNIT: mm

SCALE: A4 4:1

FINISH:

SHEET: 3/3
REV. REF2

THIRD ANGLE PROJECTION

MATERIAL: **RoHS Compliant**

APPROVED:

TOLERANCE: Angle: ± 1°
X: ± 0.15 .X: ± 0.10 .XX: ± 0.05

DRAWN: Ting

DATE: 03/22/2024