

MATERIAL
 HOUSING: LCP THERMOPLASTIC 94V-0 (BLACK)
 CONTACTS: COPPER ALLOY
 HOLD: LCP THERMOPLASTIC 94V-0 (BLACK)

FINISH
 CONTACTS: GOLD ON MATING END
 TIN ON TERMINATION END;
 ALL UNDERPLATED NICKEL

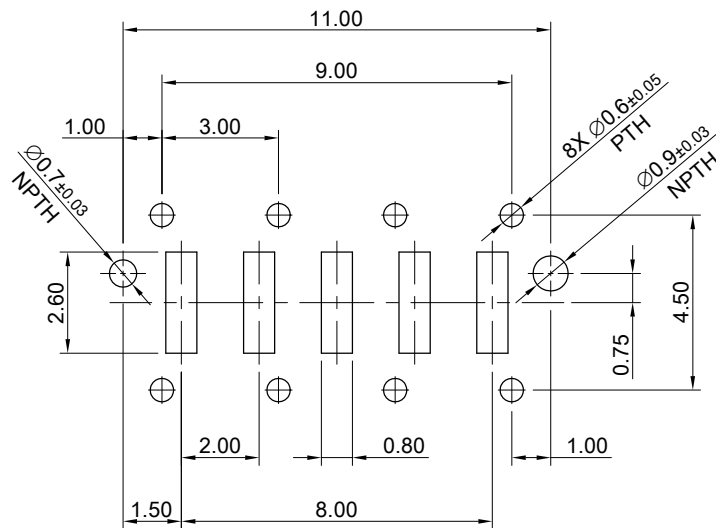
ELECTRICAL CHARACTERISTICS
 CONTACT CURRENT RATING: 18 AMPERE
 MAX CYCLES: 500

ENVIRONMENT
 OPERATION TEMPERATURE: -55° C TO 125° C
 SMT TEMPERATURE: 260° C

THIS PRINT IS
PRELIMINARY
 UNQUALIFIED PRODUCT
 CONTACT PRODUCT ENGINEERING
 BEFORE USING THIS PRINT



TITLE: Mirco Speed 5 Pin Powerm Female Connector			
DWG#: R-MF-20005-8AXX		SHEET: 1/2	REV.: REF
UNIT: mm	SCALE: A4 5:1	FINISH:	CHECKED:
THIRD ANGLE PROJECTION		MATERIAL: RoHS Compliant	APPROVED:
TOLERANCE: Angle: ± 1° X: ± 0.25 .X ± 0.20 .XX ± 0.15		DRAWN: Judy	DATE: 03/20/2024



RECOMMENDED PCB LAYOUT
TOLERANCE: ±0.05

THIS PRINT IS
PRELIMINARY
UNQUALIFIED PRODUCT
CONTACT PRODUCT ENGINEERING
BEFORE USING THIS PRINT



TITLE: Mirco Speed 5 Pin Powerm Female Connector

DWG#: R-MF-20005-8AXX

SHEET: 2/2
REV. REF

UNIT: mm

SCALE: A4 5:1

FINISH:

CHECKED:

THIRD ANGLE PROJECTION

MATERIAL:
RoHS Compliant

APPROVED:

TOLERANCE: Angle: ± 1°
X: ± 0.15 .X: ± 0.10 .XX: ± 0.05

DRAWN: Judy

DATE: 03/20/2024