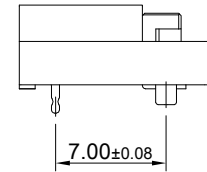
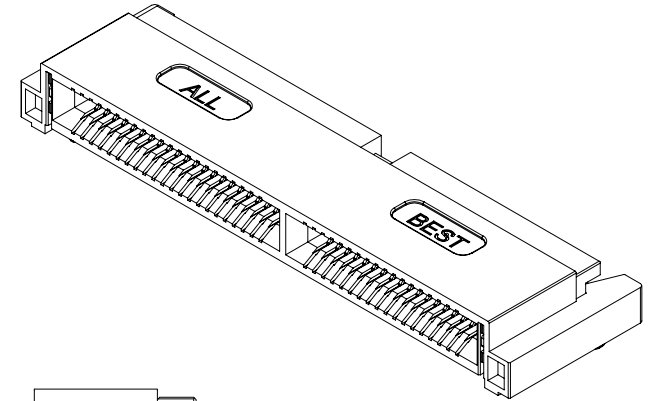
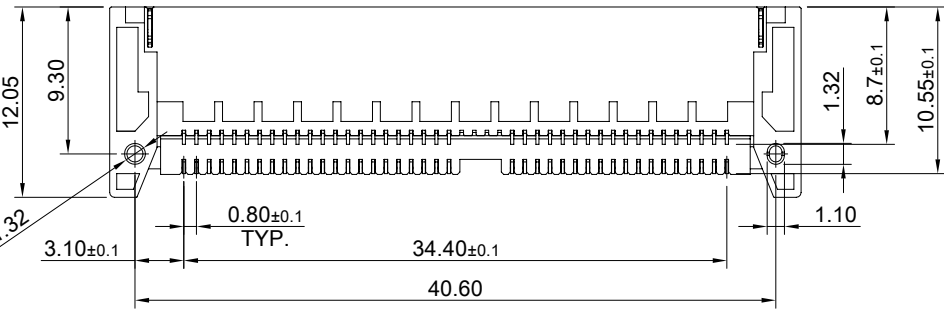
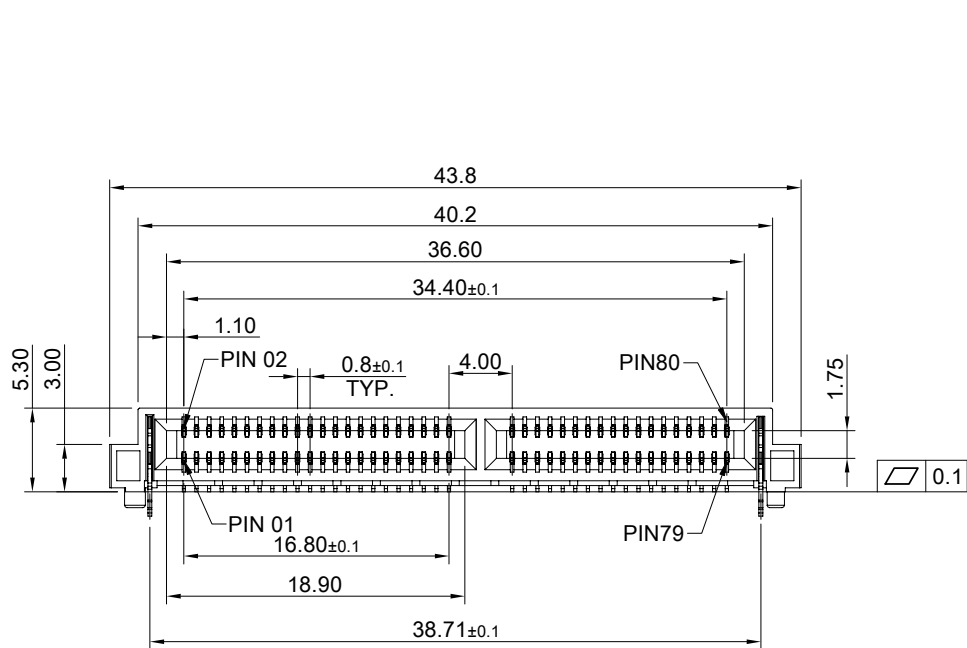


A B C D E F G H



MATERIAL  
 CONTACTS: COPPER ALLOY  
 INSULATOR: LCP THERMOPLASTIC 94V-0

CONTACTS: 5µ" MIN. GOLD ON MATING END;  
 100µ" MIN. MATTE TIN ON SOLDER FOOT AREA  
 ALL UNDERPLATED NICKEL

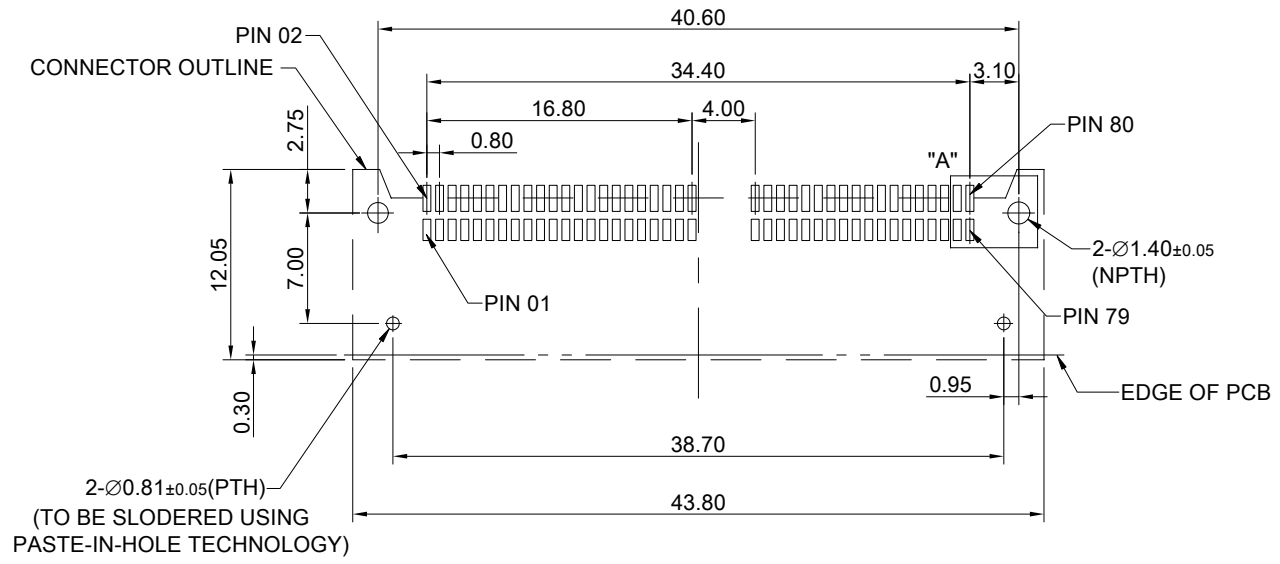
ELECTRICAL CHARACTERISTICS  
 CONTACT CURRENT RATING: 2.8 AMPERE(2 Pins)  
 VOLTAGE RATING: 240VAC  
 MAX CYCLES: 100

ENVIRONMENT  
 OPERATION TEMPERATURE: -55°C TO 125°C  
 SMT TEMPERATURE: 260°C

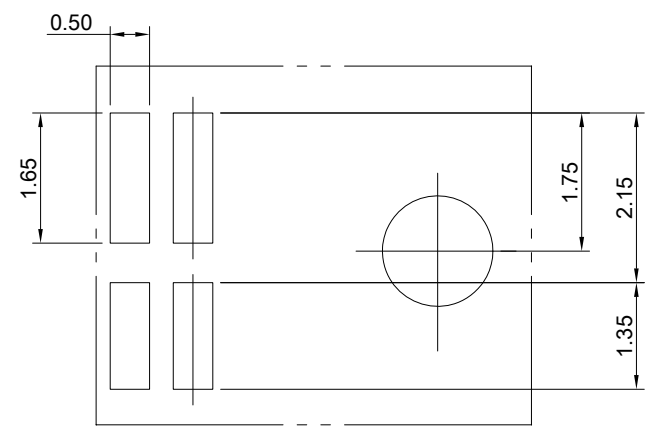


TITLE: 0.8mm 80Pin High Speed Assembly			
DWG#: R-HF-08080-9AXX		SHEET: 1/2	REV. A
UNIT: mm	SCALE: A4 2:1	FINISH:	CHECKED: Gary Kang
THIRD ANGLE PROJECTION		MATERIAL: RoHS Compliant	APPROVED: George Yang
TOLERANCE: Angle: ± 1° X ± 0.20 .X ± 0.15 .XX ± 0.10		DRAWN: Yilu	DATE: 05/27/2022

A B C D E F G H



RECOMMENDED PCB LAYOUT  
TOLERANCE: ±0.05



DETAIL A  
SCALE 5:1

2-Ø0.81±0.05(PTH)  
(TO BE SLODERED USING  
PASTE-IN-HOLE TECHNOLOGY)

 <b>ALL BEST</b> <b>ELECTRONICS</b> <b>CO., LTD.</b>	TITLE: 0.8mm 80Pin High Speed Assembly			SHEET: 2/2	REV. A
	DWG#: R-HF-08080-9AXX			CHECKED: Gary Kang	
	UNIT: mm	SCALE: A4 2:1	FINISH:	APPROVED: George Yang	
	TOLERANCE: Angle: ± 1° X: ± 0.15 .X: ± 0.10 .XX: ± 0.05		MATERIAL: RoHS Compliant	DRAWN: Yilu	DATE: 05/27/2022