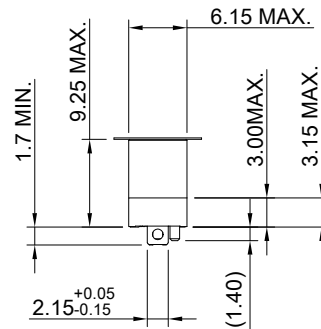
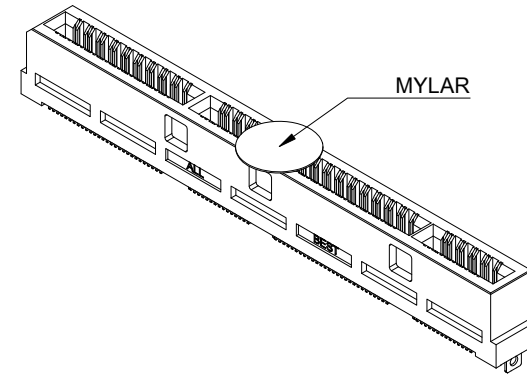
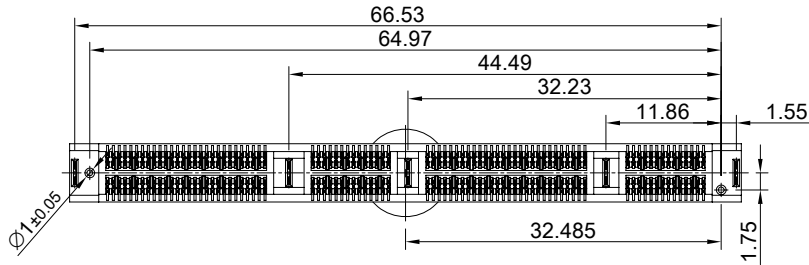
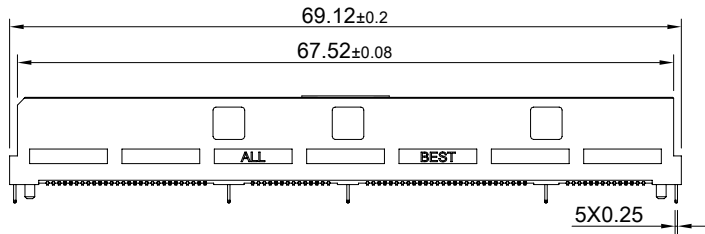


WITHOUT MYLAR



**MATERIAL**  
 CONTACTS AND HOLE DOWNS: COPPER ALLOY  
 INSULATOR: LCP THERMOPLASTIC 94V-0

**FINISH**  
 CONTACTS: GOLD FLASH ON MATING END;  
 100µ" MIN. MATTE TIN ON SOLDER FOOT AREA  
 ALL UNDERPLATED NICKEL

**ELECTRICAL CHARACTERISTICS**  
 CONTACT CURRENT RATING: 3.6 A PER PIN  
 VOLTAGE RATING: 175 VAC  
 MAX CYCLES: 100

**ENVIRONMENT**  
 OPERATION TEMPERATURE: -55°C TO 125°C  
 SMT TEMPERATURE: 260°C

THIS PRINT IS  
**PRELIMINARY**  
 UNQUALIFIED PRODUCT  
 CONTACT PRODUCT ENGINEERING  
 BEFORE USING THIS PRINT



TITLE: PCIE-Gen Z 4C+ 168Pin Straight Connector

DWG#: R-CT-GZB-8AXX

UNIT: mm SCALE: A4 5:4

THIRD ANGLE PROJECTION

TOLERANCE: Angle: ± 1°  
 X: ± 0.25 .X: ± 0.20 .XX: ± 0.15

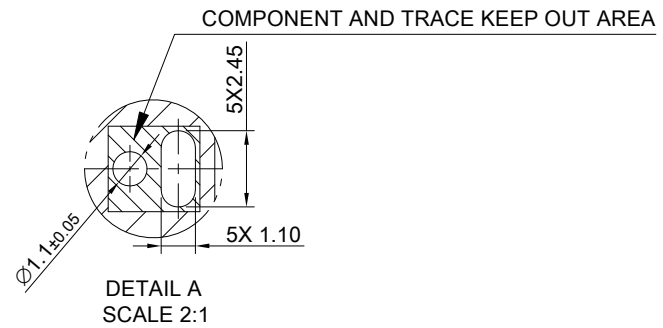
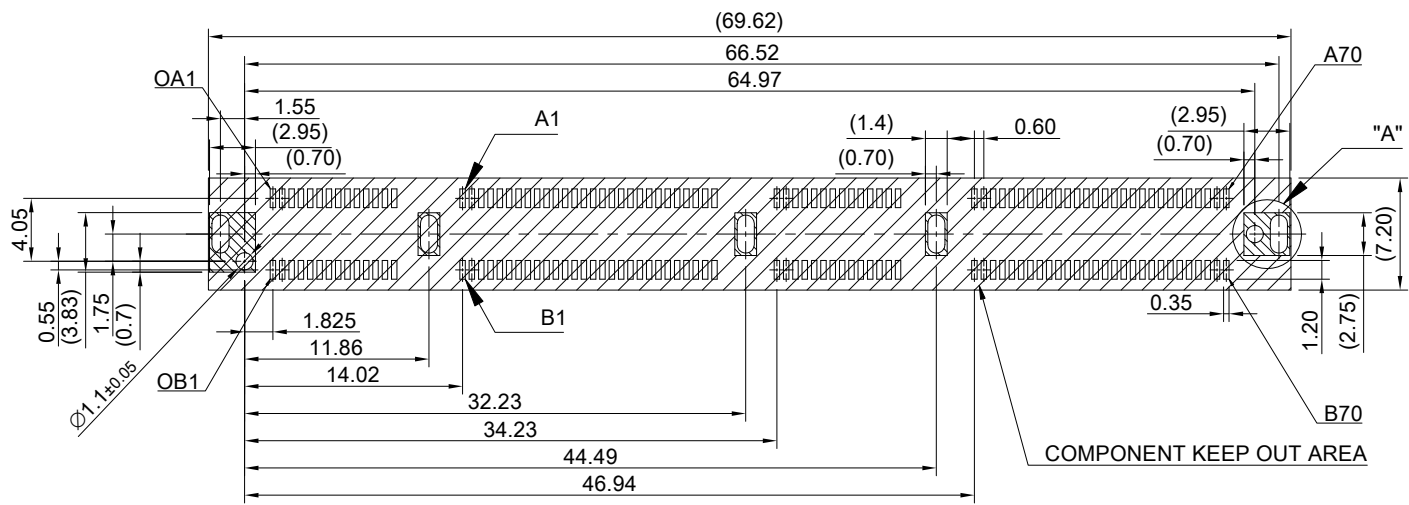
FINISH: MATERIAL: RoHS Compliant

DRAWN: Judy

SHEET: 1/2 REV. REF

APPROVED:

DATE: 04/01/2024



THIS PRINT IS  
**PRELIMINARY**  
 UNQUALIFIED PRODUCT  
 CONTACT PRODUCT ENGINEERING  
 BEFORE USING THIS PRINT



TITLE: PCIe-Gen Z 4C+ 168Pin Straight Connector			
DWG#: R-CT-GZB-8AXX		SHEET: 2/2	REV. REF
UNIT: mm	SCALE: A4 2:1	FINISH:	CHECKED:
THIRD ANGLE PROJECTION		MATERIAL: RoHS Compliant	APPROVED:
TOLERANCE: Angle: $\pm 1^\circ$ X: $\pm 0.15$ .X: $\pm 0.10$ .XX: $\pm 0.05$		DRAWN: Judy	DATE: 04/01/2024