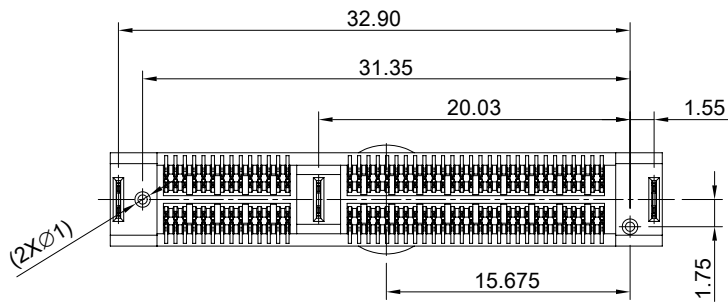


MATERIAL
 CONTACTS AND HOLE DOWNS: COPPER ALLOY
 INSULATOR: LCP THERMOPLASTIC 94V-0

FINISH
 CONTACTS: GOLD FLASH ON MATING END;
 100µ" MIN. MATTE TIN ON SOLDER FOOT AREA
 ALL UNDERPLATED NICKEL

ELECTRICAL CHARACTERISTICS
 CONTACT CURRENT RATING: 3.6 A PER PIN
 VOLTAGE RATING: 175 VAC
 MAX CYCLES: 100

ENVIRONMENT
 OPERATION TEMPERATURE: -55°C TO 125°C
 SMT TEMPERATURE: 260°C

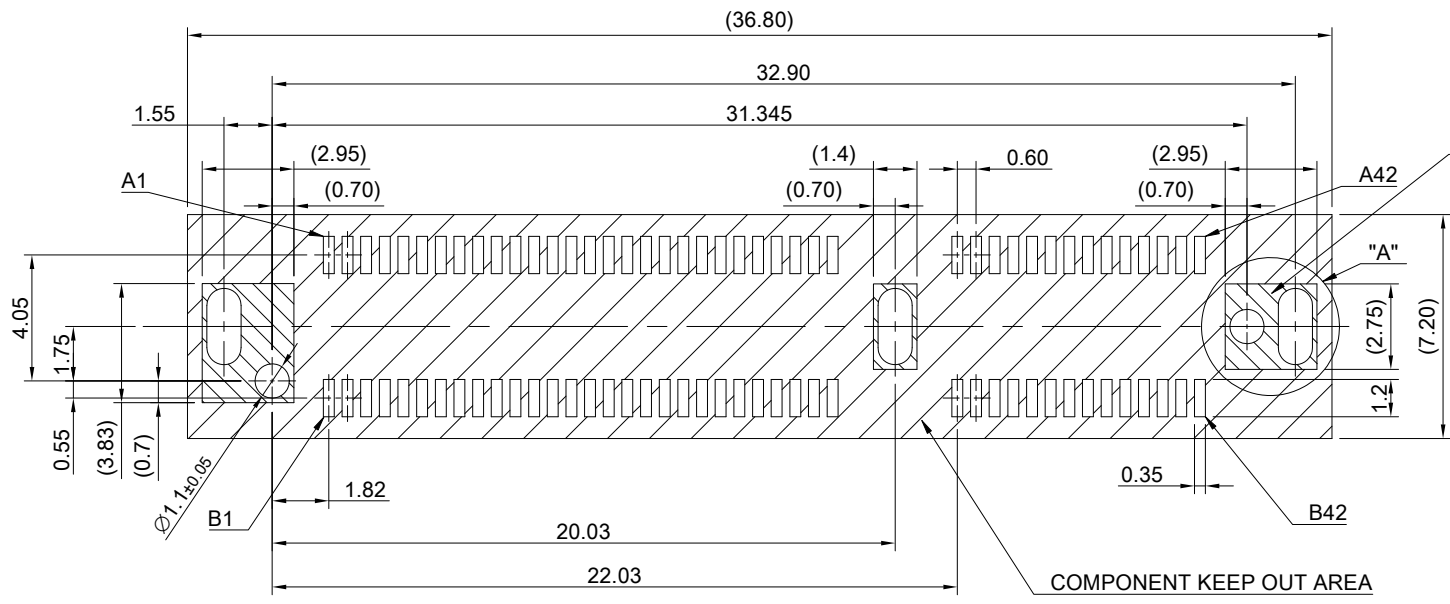


THIS PRINT IS
PRELIMINARY
 UNQUALIFIED PRODUCT
 CONTACT PRODUCT ENGINEERING
 BEFORE USING THIS PRINT

	TITLE: PCIe-Gen Z 2C 84Pin Straight Connector		
	DWG#: R-CT-GZ5-8AXX		SHEET: 1/2
	UNIT: mm	SCALE: A4 2:1	REV. REF
	FINISH:		CHECKED:
THIRD ANGLE PROJECTION		MATERIAL: RoHS Compliant	APPROVED:
TOLERANCE: Angle: ± 1° X: ± 0.25 .X: ± 0.20 .XX: ± 0.15		DRAWN: Judy	DATE: 03/29/2024

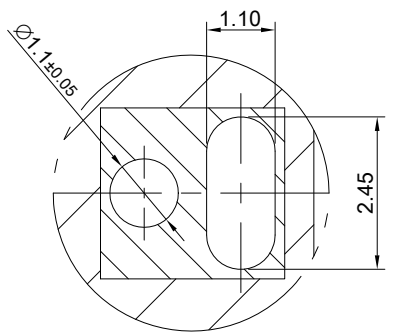
A B C D E F G H

1
2
3
4
5
6
7
8




COMPONENT AND TRACE KEEP OUT AREA

COMPONENT KEEP OUT AREA



DETAIL A
SCALE 2:1

THIS PRINT IS
PRELIMINARY
UNQUALIFIED PRODUCT
CONTACT PRODUCT ENGINEERING
BEFORE USING THIS PRINT

 ALL BEST ALL BEST ELECTRONICS CO., LTD.	TITLE: PCIe-Gen Z 2C 84Pin Straight Connector			SHEET: 2/2		REV. REF
	DWG#: R-CT-GZ5-8AXX			CHECKED:		APPROVED:
	UNIT: mm	SCALE: A4 4:1	FINISH:	MATERIAL: RoHS Compliant		DATE: 03/29/2024
	TOLERANCE: Angle: ± 1° X ± 0.15 .X ± 0.10 .XX ± 0.05		THIRD ANGLE PROJECTION	DRAWN: Judy		

A B C D E F G H