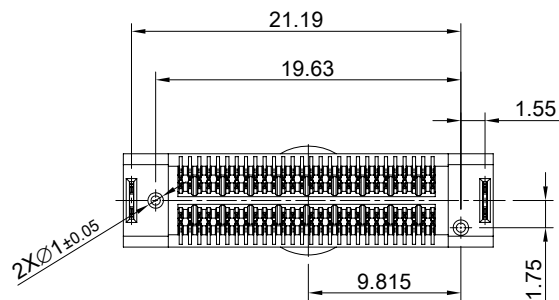


MATERIAL
 CONTACTS AND HOLE DOWNS: COPPER ALLOY
 INSULATOR: LCP THERMOPLASTIC 94V-0

FINISH
 CONTACTS: GOLD FLASH ON MATING END;
 100μ" MIN. MATTE TIN ON SOLDER FOOT AREA
 ALL UNDERPLATED NICKEL

ELECTRICAL CHARACTERISTICS
 CONTACT CURRENT RATING: 3.6 A PER PIN
 VOLTAGE RATING: 175 VAC
 MAX CYCLES: 100

ENVIRONMENT
 OPERATION TEMPERATURE: -55°C TO 125°C
 SMT TEMPERATURE: 260°C



THIS PRINT IS
PRELIMINARY
 UNQUALIFIED PRODUCT
 CONTACT PRODUCT ENGINEERING
 BEFORE USING THIS PRINT



TITLE: PCIE-Gen Z 1C 56Pin Straight Connector

DWG#: R-CT-GZ6-8AXX

SHEET: 1/2
 REV. REF

UNIT: mm
 SCALE: A4 2:1

FINISH: CHECKED:

THIRD ANGLE PROJECTION

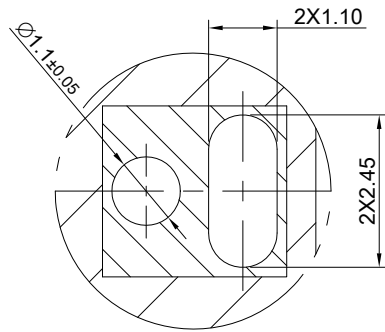
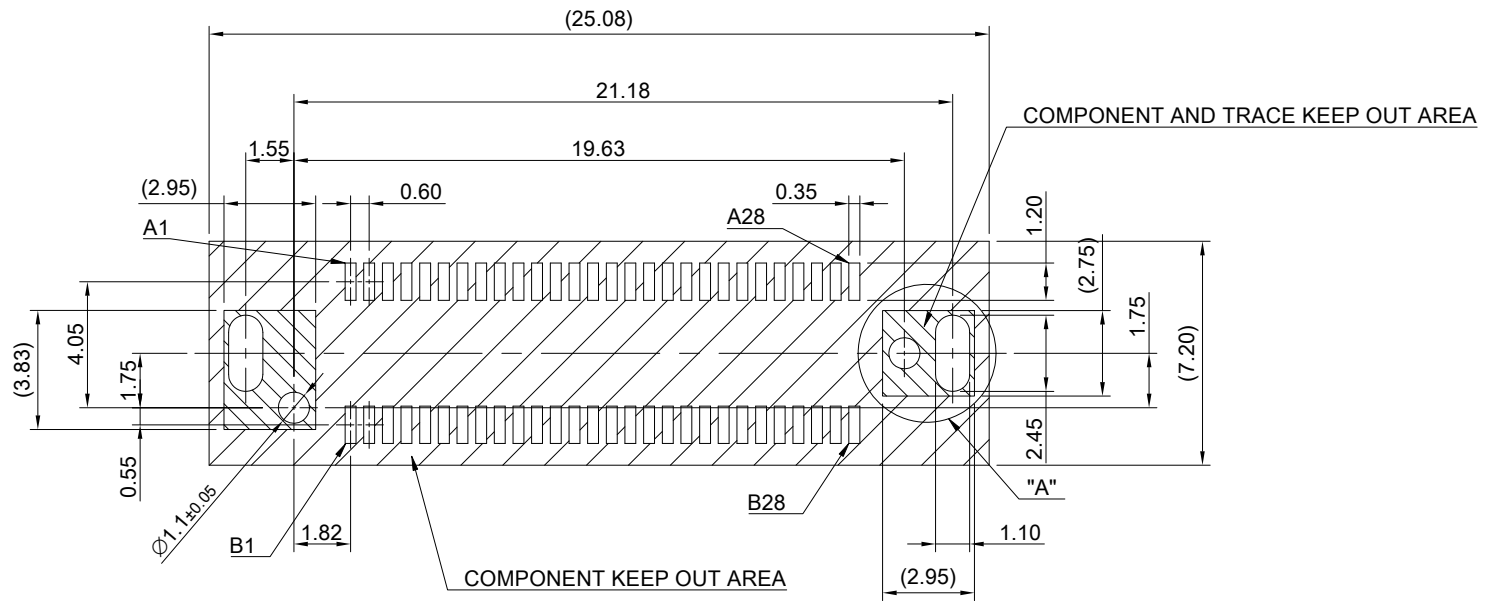
MATERIAL: RoHS Compliant

APPROVED:

TOLERANCE: Angle: ± 1°
 X: ± 0.25 .X: ± 0.20 .XX: ± 0.15


DRAWN: Judy

DATE: 03/29/2024



DETAIL A
SCALE 2:1

THIS PRINT IS
PRELIMINARY
UNQUALIFIED PRODUCT
CONTACT PRODUCT ENGINEERING
BEFORE USING THIS PRINT

 ALL BEST ALL BEST ELECTRONICS CO., LTD.	TITLE: PCIe-Gen Z 1C 56Pin Straight Connector		
	DWG#: R-CT-GZ6-8AXX		SHEET: 2/2
	UNIT: mm	SCALE: A4 4:1	FINISH:
	TOLERANCE: X± 0.15 .X± 0.10 .XX± 0.05		MATERIAL: RoHS Compliant
THIRD ANGLE PROJECTION		DRAWN: Judy	APPROVED:
		DATE: 03/29/2024	REV. REF