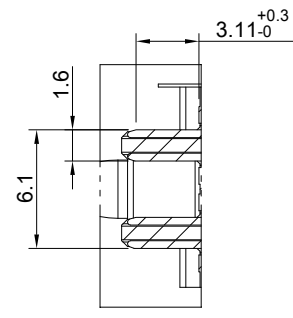
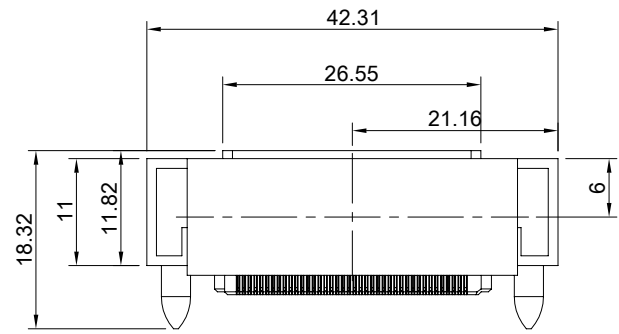
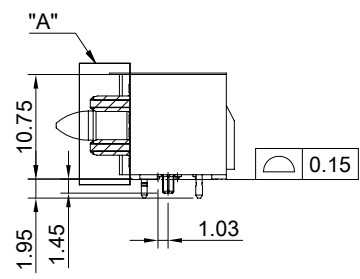
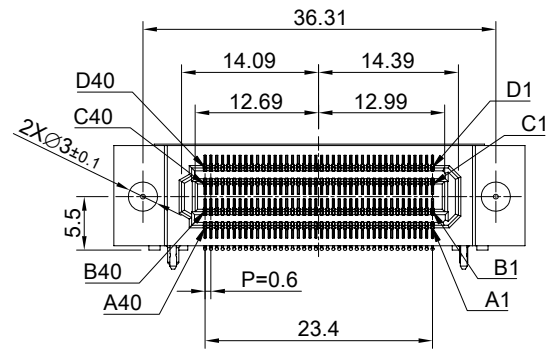
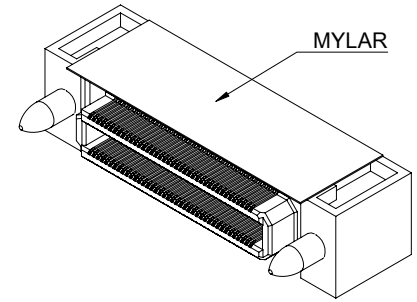


THIS PRINT IS
PRELIMINARY
 UNQUALIFIED PRODUCT
 CONTACT PRODUCT ENGINEERING
 BEFORE USING THIS PRINT



DETAIL A
 SCALE 2:1

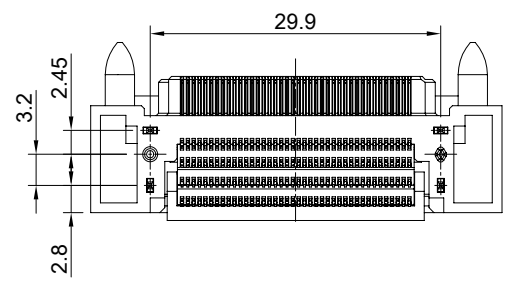


MATERIAL
 CONTACTS: COPPER ALLOY
 INSULATOR: LCP THERMOPLASTIC 94V-0

FINISH
 CONTACTS: GOLD FLASH ON MATING END;
 100µ" MIN. MATTE TIN ON SOLDER FOOT AREA
 ALL UNDERPLATED NICKEL

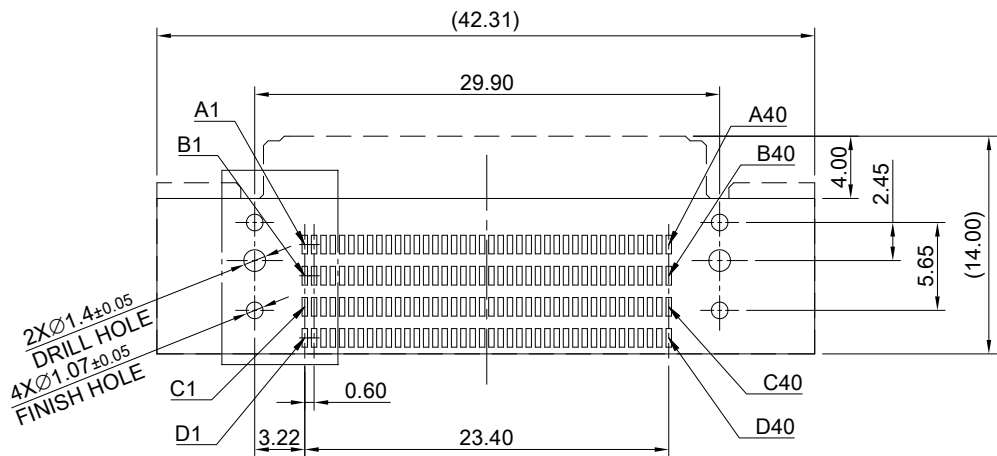
ELECTRICAL CHARACTERISTICS
 CONTACT CURRENT RATING: 2 AMPERE
 VOLTAGE RATING: 275VAC
 MAX CYCLES: 100

ENVIRONMENT
 OPERATION TEMPERATURE: -55°C TO 125°C
 SMT TEMPERATURE: 260°C

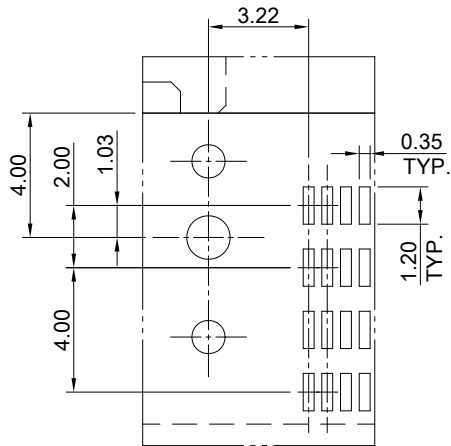


 ALL BEST ALL BEST ELECTRONICS CO., LTD.	TITLE: 0.60mm 160Pin Quad Row Right Angle Socket Strip			SHEET: 1/2		REV. REF	
	DWG#: R-AM-06160-9AX1			CHECKED:		APPROVED:	
	UNIT: mm	SCALE: A4 5:4	FINISH:	MATERIAL: RoHS Compliant		DATE: 04/02/2024	
	TOLERANCE: X± 0.25 .X± 0.20 .XX± 0.15		THIRD ANGLE PROJECTION	DRAWN: Judy			

THIS PRINT IS
PRELIMINARY
 UNQUALIFIED PRODUCT
 CONTACT PRODUCT ENGINEERING
 BEFORE USING THIS PRINT



TOLERANCE: ±0.05



DETAIL C
 SCALE 2:1

- NOTE
1. ALL DIMENSIONS ARE SYMMETRIC ABOUT THE CENTERLINE.
 2. CONNECTOR OUTLINE. OTHER COMPONENTS PLACED ON PCB, SHALL AVOID THIS AREA.
 3. TO BE SOLDERED USING PASTE IN HOLE TECHNOLOGY.FLOW SOLDER.
 4. NOT RECOMMENDED FOR INVERTED REFLOW SOLDER.



TITLE: 0.60mm 160Pin Quad Row Right Angle Socket Strip			
DWG#: R-AM-06160-9AX1		SHEET: 2/2	REV. REF
UNIT: mm	SCALE: A4 2:1	CHECKED:	
THIRD ANGLE PROJECTION		APPROVED:	
TOLERANCE: Angle: ± 1° X.± 0.15 .X± 0.10 .XX± 0.05		MATERIAL: RoHS Compliant	DATE: 04/02/2024
		DRAWN: Judy	