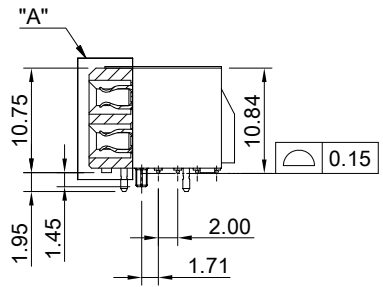
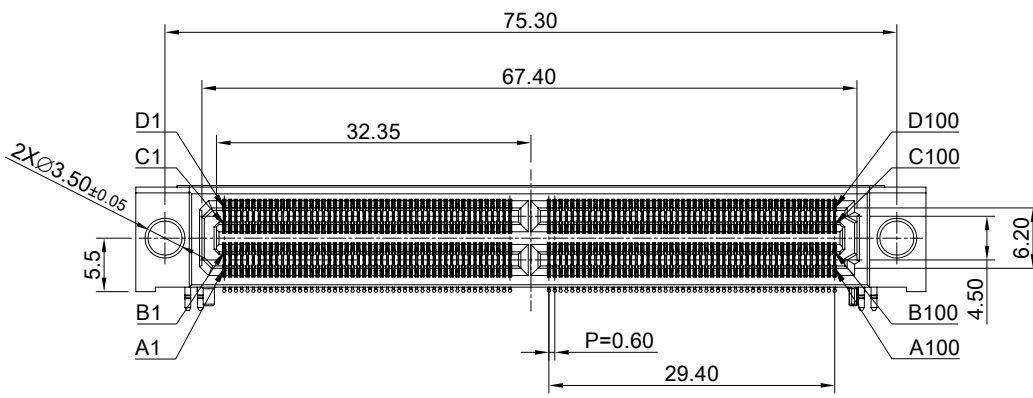
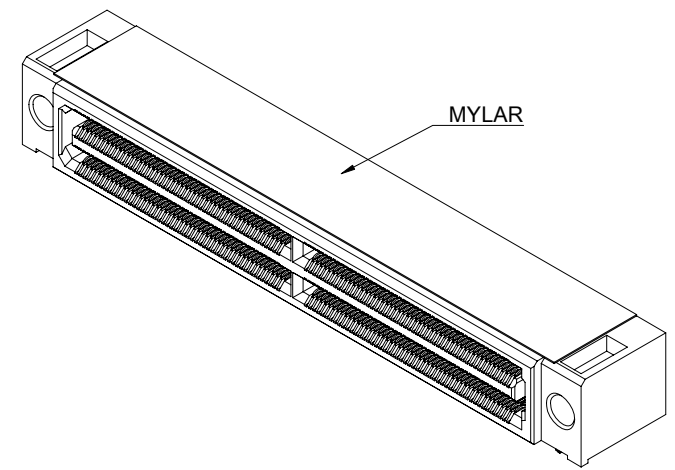


DETAIL A  
SCALE 2:1

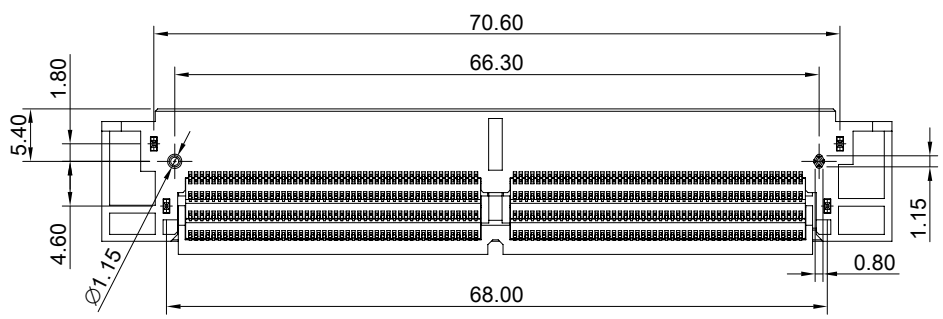


MATERIAL  
CONTACTS: COPPER ALLOY  
INSULATOR: LCP THERMOPLASTIC 94V-0

FINISH  
CONTACTS: GOLD FLASH ON MATING END;  
100µ" MIN. MATTE TIN ON SOLDER FOOT AREA  
ALL UNDERPLATED NICKEL

ELECTRICAL CHARACTERISTICS  
CONTACT CURRENT RATING: 2 AMPERE  
VOLTAGE RATING: 275VAC  
MAX CYCLES: 100

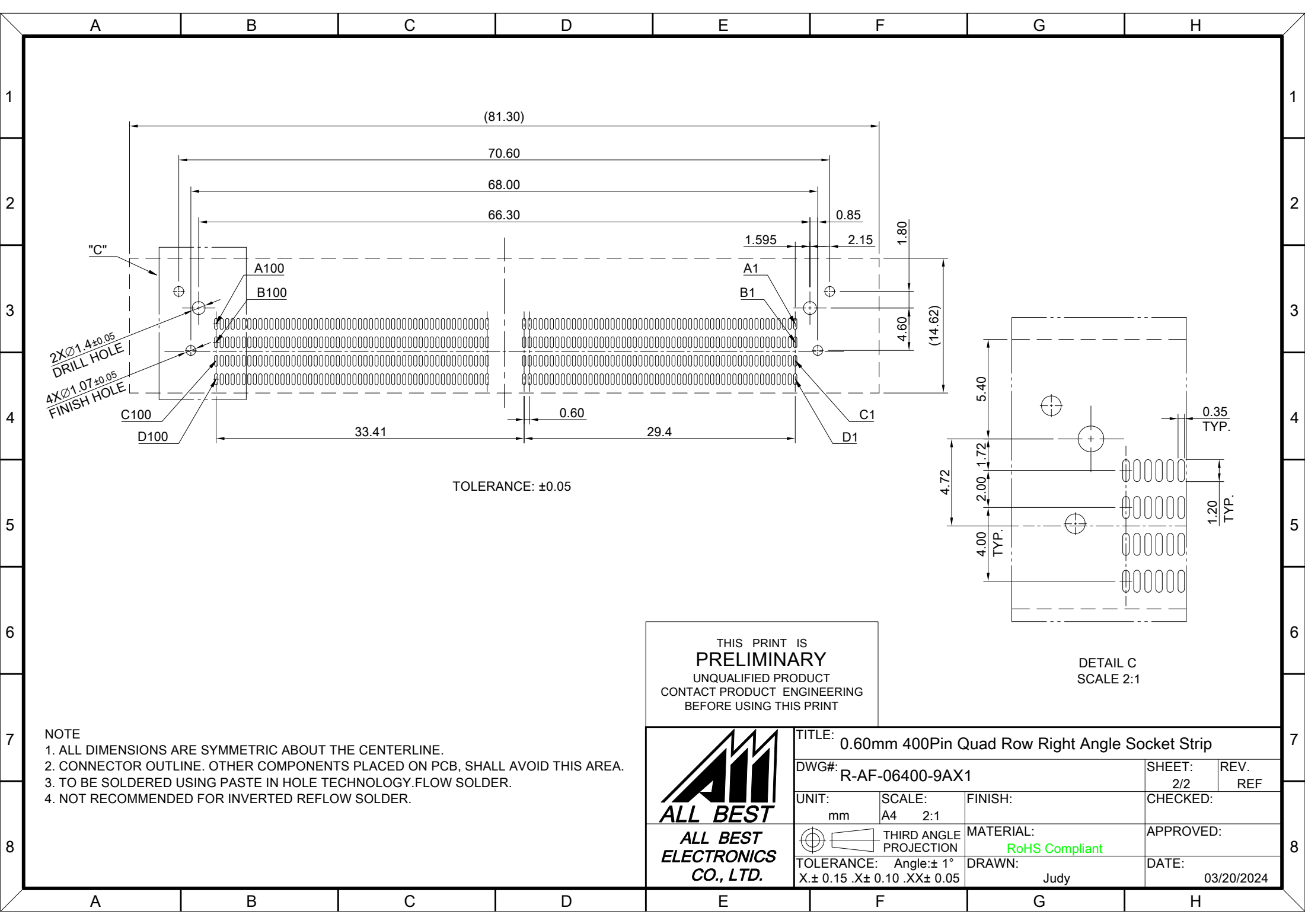
ENVIRONMENT  
OPERATION TEMPERATURE: -55°C TO 125°C  
SMT TEMPERATURE: 260°C



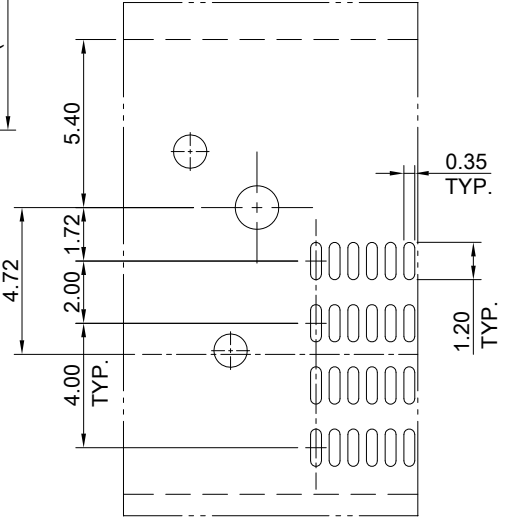
THIS PRINT IS  
PRELIMINARY  
UNQUALIFIED PRODUCT  
CONTACT PRODUCT ENGINEERING  
BEFORE USING THIS PRINT



|  |               |                          |                  |
|--|---------------|--------------------------|------------------|
| TITLE: 0.60mm 400Pin Quad Row Right Angle Socket Strip     |               |                          |                  |
| DWG#: R-AF-06400-9AX1                                      |               | SHEET: 1/2               | REV. REF         |
| UNIT: mm   | SCALE: A4 5:4 | FINISH:                  | CHECKED:         |
| THIRD ANGLE PROJECTION                                     |               | MATERIAL: RoHS Compliant | APPROVED:        |
| TOLERANCE: Angle: ± 1°<br>X: ± 0.25 .X: ± 0.20 .XX: ± 0.15 |               | DRAWN: Judy              | DATE: 03/20/2024 |



TOLERANCE: ±0.05



DETAIL C  
SCALE 2:1

THIS PRINT IS  
**PRELIMINARY**  
UNQUALIFIED PRODUCT  
CONTACT PRODUCT ENGINEERING  
BEFORE USING THIS PRINT

- NOTE
1. ALL DIMENSIONS ARE SYMMETRIC ABOUT THE CENTERLINE.
  2. CONNECTOR OUTLINE. OTHER COMPONENTS PLACED ON PCB, SHALL AVOID THIS AREA.
  3. TO BE SOLDERED USING PASTE IN HOLE TECHNOLOGY.FLOW SOLDER.
  4. NOT RECOMMENDED FOR INVERTED REFLOW SOLDER.

|   |   |                                 |                                      |
|---|---|---------------------------------|--------------------------------------|
| <p><b>ALL BEST</b><br/>ALL BEST<br/>ELECTRONICS<br/>CO., LTD.</p> | <b>TITLE:</b> 0.60mm 400Pin Quad Row Right Angle Socket Strip |                                 |                                      |
|   | <b>DWG#:</b> R-AF-06400-9AX1                                  |                                 | <b>SHEET:</b> 2/2<br><b>REV. REF</b> |
|   | <b>UNIT:</b> mm   | <b>SCALE:</b> A4 2:1            | <b>FINISH:</b>                       |
|   | <b>THIRD ANGLE PROJECTION</b>                                 | <b>MATERIAL:</b> RoHS Compliant | <b>CHECKED:</b>                      |
| <b>TOLERANCE:</b> Angle:± 1°<br>X.± 0.15 .X± 0.10 .XX± 0.05       |   | <b>DRAWN:</b> Judy              | <b>APPROVED:</b>                     |
|   |   |                                 | <b>DATE:</b> 03/20/2024              |