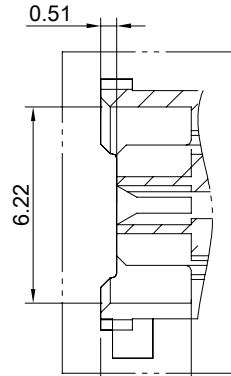
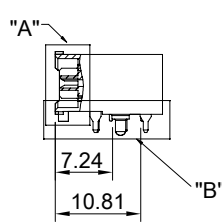
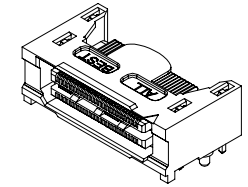


DETAIL B
SCALE 4:1



DETAIL A
SCALE 4:1




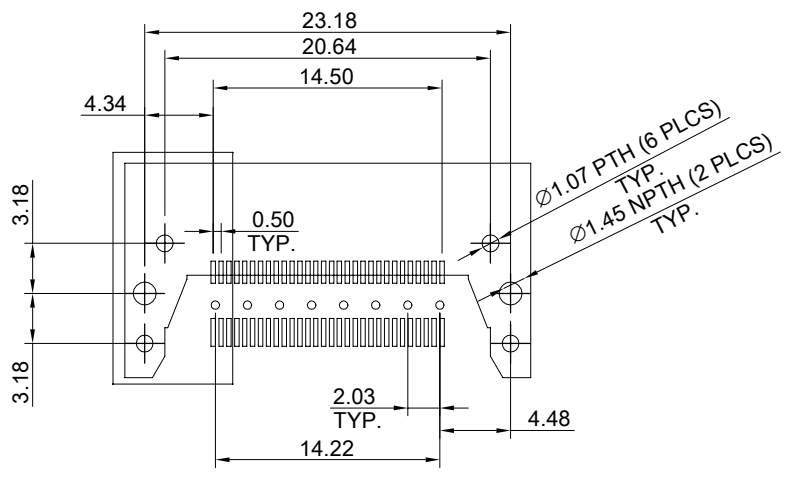
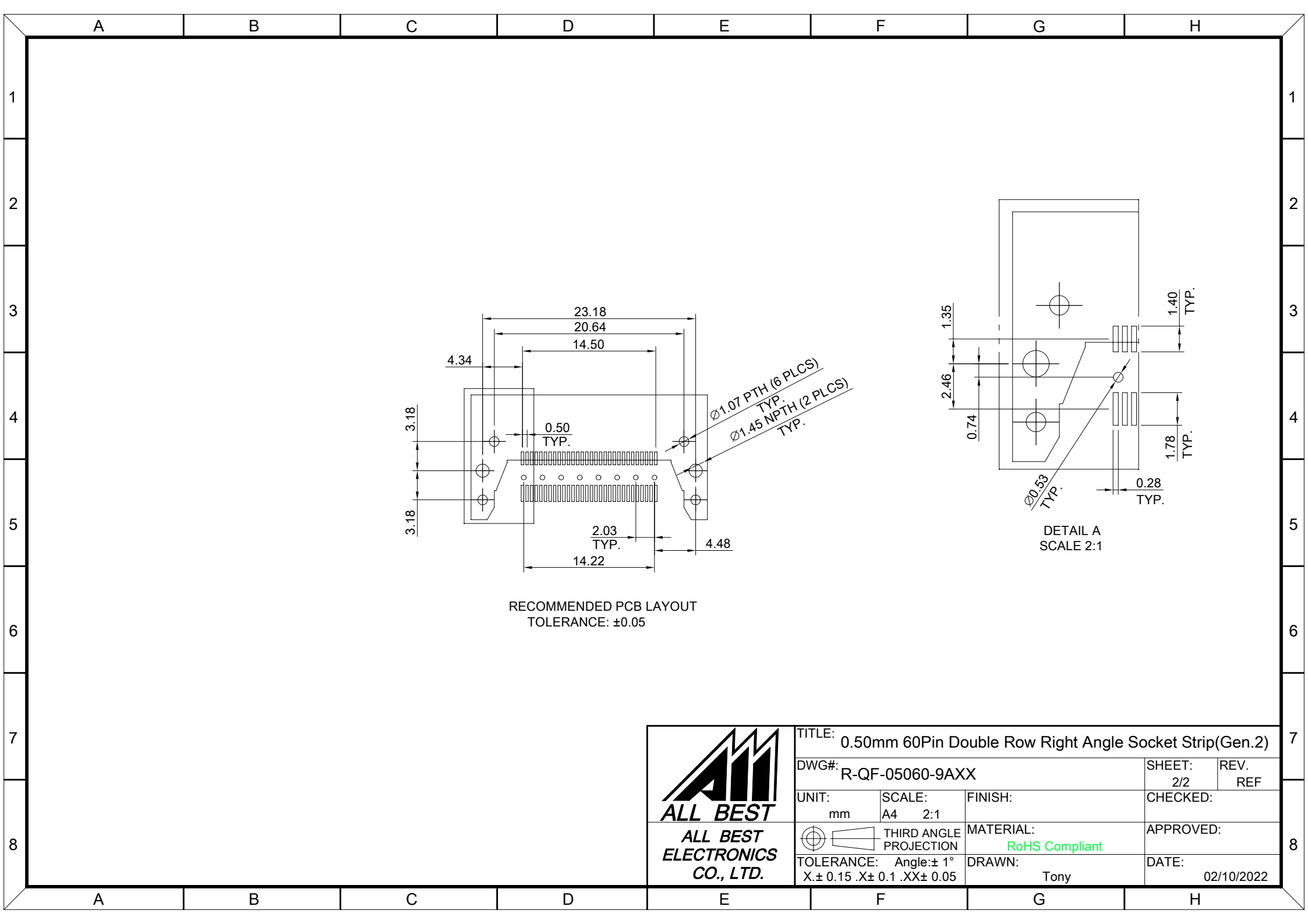
MATERIAL
CONTACTS: COPPER ALLOY
INSULATOR: LCP THERMOPLASTIC 94V-0

FINISH
CONTACTS: 5μ" MIN. GOLD ON MATING END;
100μ" MIN. MATTE TIN ON SOLDER FOOT AREA
ALL UNDERPLATED NICKEL
GROUND PLANE: 5μ" MIN. GOLD ON MATING END;
100μ" MIN. MATTE TIN ON SOLDER FOOT AREA
ALL UNDERPLATED NICKEL

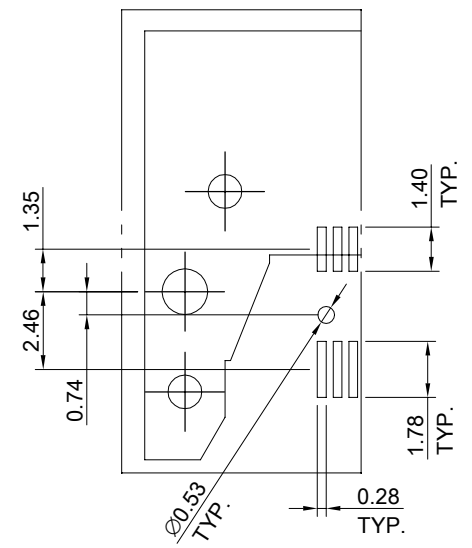
ELECTRICAL CHARACTERISTICS
CONTACT CURRENT RATING: 2 AMPERE
GROUND PLANE CURRENT RATING: 25 AMPERE
VOLTAGE RATING: 275VAC
MAX CYCLES: 100

ENVIRONMENT
OPERATION TEMPERATURE: -55°C TO 125°C
SMT TEMPERATURE: 260°C

 ALL BEST ELECTRONICS CO., LTD.	TITLE: 0.50mm 60Pin Double Row Right Angle Socket Strip(Gen.2)		SHEET: 1/2	REV. REF	
	DWG#: R-QF-05060-9AXX		CHECKED:		
	UNIT: mm	SCALE: A4 1:1	FINISH:	APPROVED:	
	TOLERANCE: Angle:± 1° X.± 0.25 .X± 0.20 .XX± 0.15		MATERIAL: RoHS Compliant	DATE: 02/10/2022	
		THIRD ANGLE PROJECTION	DRAWN: Tony		



RECOMMENDED PCB LAYOUT
TOLERANCE: ±0.05



DETAIL A
SCALE 2:1

 ALL BEST ELECTRONICS CO., LTD.	TITLE: 0.50mm 60Pin Double Row Right Angle Socket Strip(Gen.2)		SHEET: 2/2	REV. REF
	DWG#: R-QF-05060-9AXX		CHECKED:	
UNIT: mm	SCALE: A4 2:1	FINISH:	APPROVED:	
 THIRD ANGLE PROJECTION		MATERIAL: RoHS Compliant	DATE: 02/10/2022	
TOLERANCE: Angle:± 1° X.± 0.15 .X± 0.1 .XX± 0.05		DRAWN: Tony		