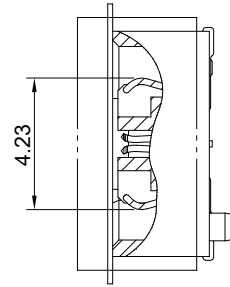
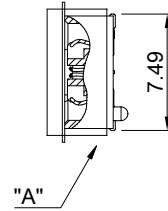


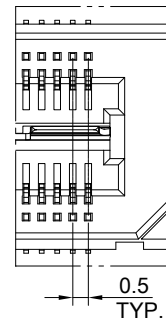
The combined height of the male and female connectors after mating.



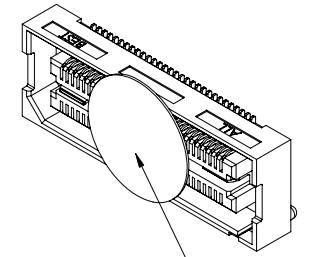
DETAIL A
SCALE 2:1



"A"



DETAIL B
SCALE 2:1



MYLAR

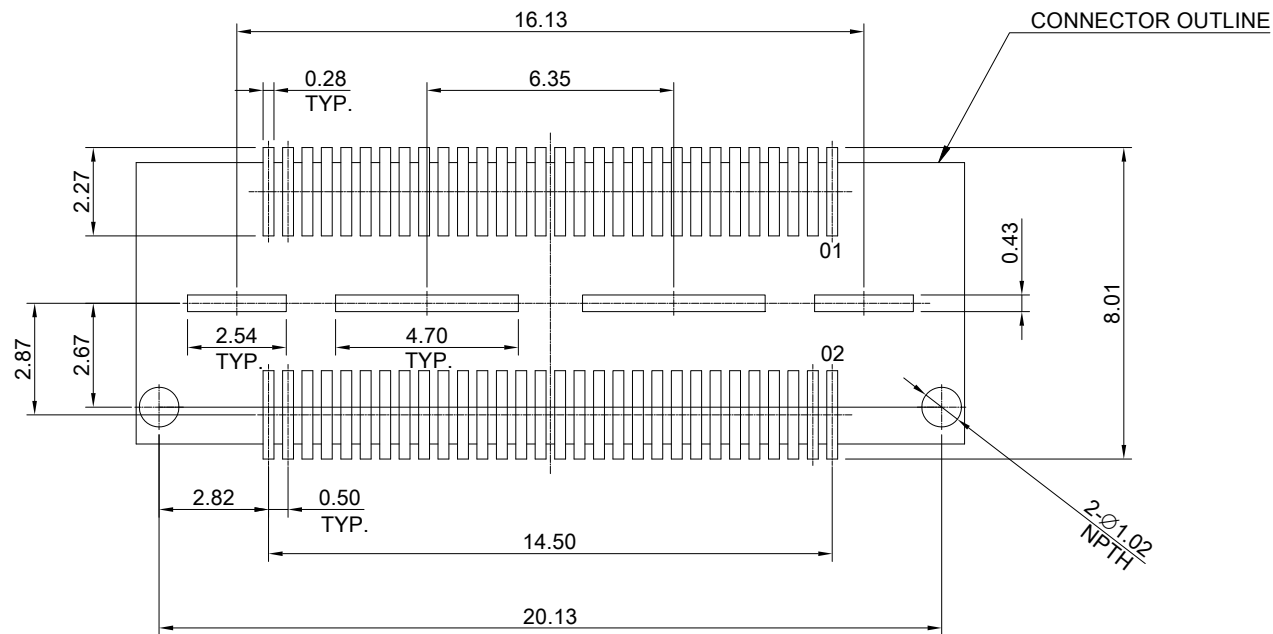
MATERIAL
CONTACTS: COPPER ALLOY
INSULATOR: LCP THERMOPLASTIC 94V-0

FINISH
CONTACTS: 5µ" MIN. GOLD ON MATING END;
100µ" MIN. MATTE TIN ON SOLDER FOOT AREA
ALL UNDERPLATED NICKEL
GROUND PLANE: 5µ" MIN. GOLD ON MATING END;
100µ" MIN. MATTE TIN ON SOLDER FOOT AREA
ALL UNDERPLATED NICKEL

ELECTRICAL CHARACTERISTICS
CONTACT CURRENT RATING: 2 AMPERE
GROUND PLANE CURRENT RATING: 25 AMPERE
VOLTAGE RATING: 175VAC
MAX CYCLES: 100

ENVIRONMENT
OPERATION TEMPERATURE: -55°C TO 125°C
SMT TEMPERATURE: 260°C

	TITLE: 0.50mm 60Pin Double Row Socket Strip (Gen.4)		
	DWG#: R-QF-05060-8AX1		SHEET: 1/2
	UNIT: mm	SCALE: A4 2:1	REV. A
	THIRD ANGLE PROJECTION		CHECKED: Gary Kang
TOLERANCE: Angle: ± 1°		MATERIAL: RoHS Compliant	APPROVED: George Yang
X: ± 0.25 .X: ± 0.20 .XX: ± 0.15		DRAWN: Tony	DATE: 09/17/2021



RECOMMENDED PCB LAYOUT
TOLERANCE: ± 0.05



TITLE: 0.50mm 60Pin Double Row Socket Strip (Gen.4)

DWG#: R-QF-05060-8AX1

SHEET: 2/2
REV. A

UNIT: mm

SCALE: A4 5:1

FINISH:

CHECKED: Gary Kang

THIRD ANGLE PROJECTION

MATERIAL: RoHS Compliant

APPROVED: George Yang

TOLERANCE: Angle: $\pm 1^\circ$
X: ± 0.15 .X: ± 0.1 .XX: ± 0.05

DRAWN: Tony

DATE: 09/17/2021