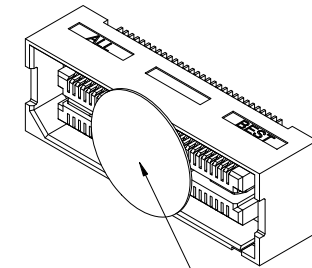
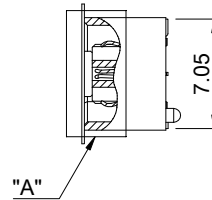
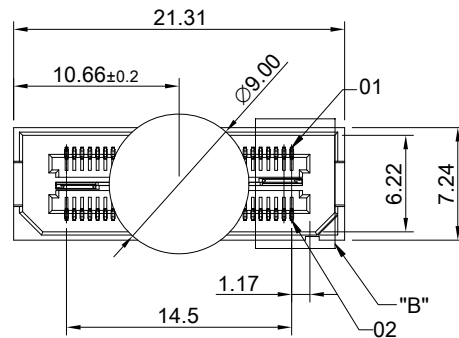


DETAIL A
SCALE 2:1



MYLAR



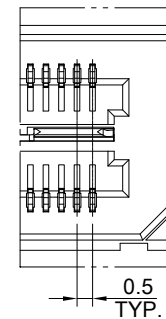
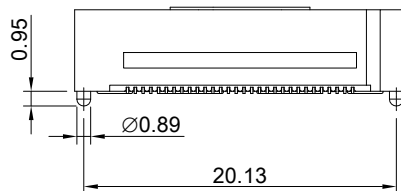
"A"

MATERIAL
CONTACTS: COPPER ALLOY
INSULATOR: LCP THERMOPLASTIC 94V-0

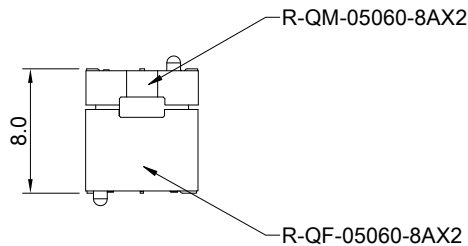
FINISH
CONTACTS: 5μ" MIN. GOLD ON MATING END;
100μ" MIN. MATTE TIN ON SOLDER FOOT AREA
ALL UNDERPLATED NICKEL
GROUND PLANE: 5μ" MIN. GOLD ON MATING END;
100μ" MIN. MATTE TIN ON SOLDER FOOT AREA
ALL UNDERPLATED NICKEL

ELECTRICAL CHARACTERISTICS
CONTACT CURRENT RATING: 2 AMPERE
GROUND PLANE CURRENT RATING: 25 AMPERE
VOLTAGE RATING: 175 VAC
MAX CYCLES: 100

ENVIRONMENT
OPERATION TEMPERATURE: -55°C TO 125°C
SMT TEMPERATURE: 260°C



DETAIL B
SCALE 2:1



The combined height of the male and female connectors after mating.



TITLE: 0.50mm 60Pin Double Row Socket Strip (Gen.2)

DWG#: R-QF-05060-8AX2

SHEET: 1/2
REV. A

UNIT: mm
SCALE: A4 2:1

FINISH:

CHECKED:

THIRD ANGLE PROJECTION

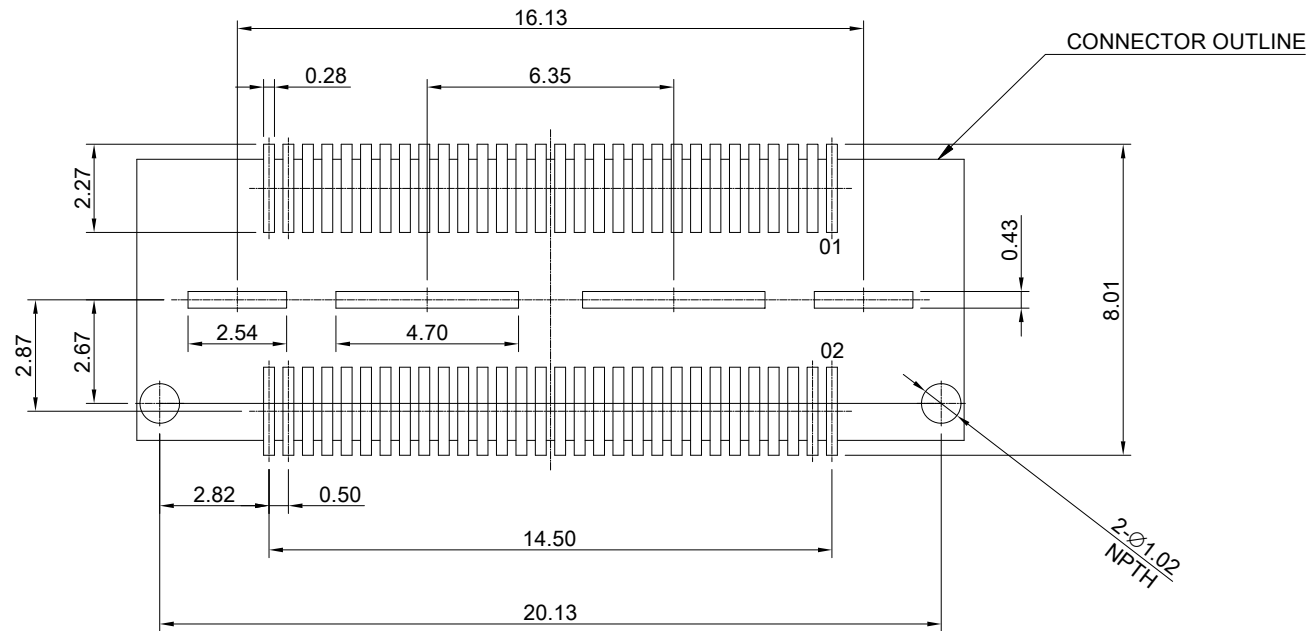
MATERIAL: RoHS Compliant

APPROVED: Gary Kang
George Yang


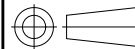
TOLERANCE: Angle: ± 1°
X ± 0.25 .X ± 0.20 .XX ± 0.15

DRAWN: Tony

DATE: 12/03/2020



RECOMMENDED PCB LAYOUT
TOLERANCE: ± 0.05

 ALL BEST ELECTRONICS CO., LTD.	TITLE: 0.50mm 60Pin Double Row Socket Strip (Gen.2)		SHEET: 2/2	REV. A
	DWG#: R-QF-05060-8AX2		CHECKED: Gary Kang	
	UNIT: mm	SCALE: A4 5:1	FINISH:	APPROVED: George Yang
	 THIRD ANGLE PROJECTION TOLERANCE: Angle: $\pm 1^\circ$ X: ± 0.15 .X: ± 0.1 .XX: ± 0.05		MATERIAL: RoHS Compliant	DATE: 12/03/2020
		DRAWN: Tony		