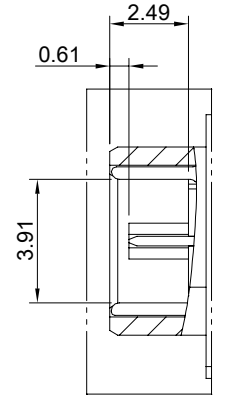
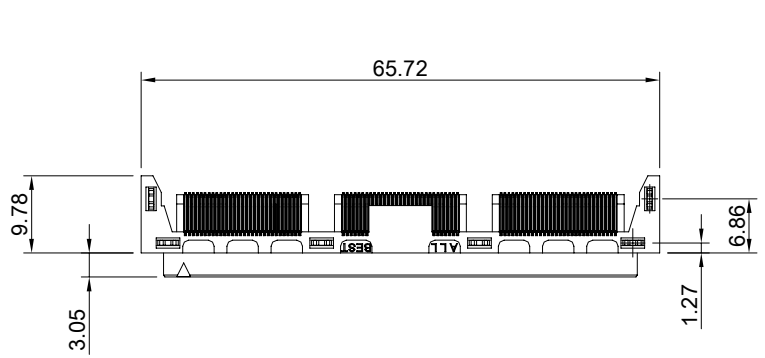
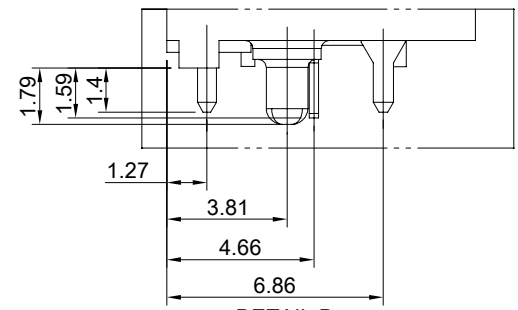


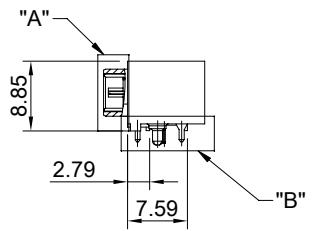
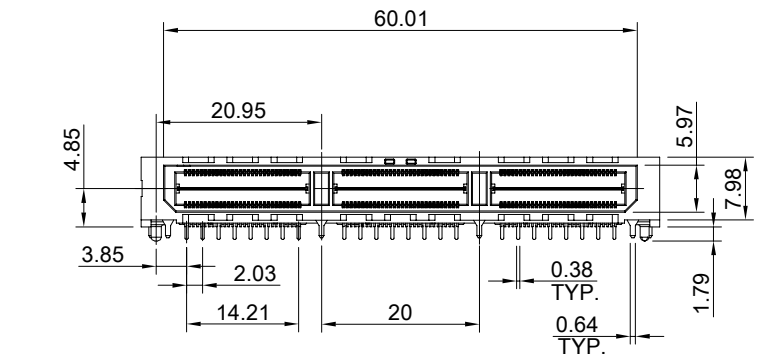
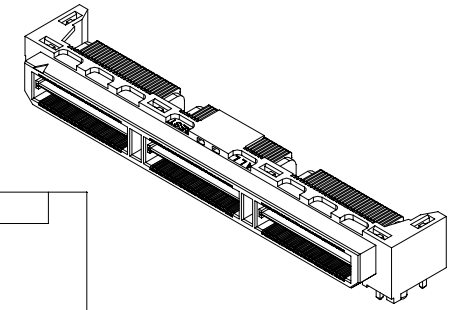
A B C D E F G H



DETAIL A
SCALE 4:1



DETAIL B
SCALE 4:1

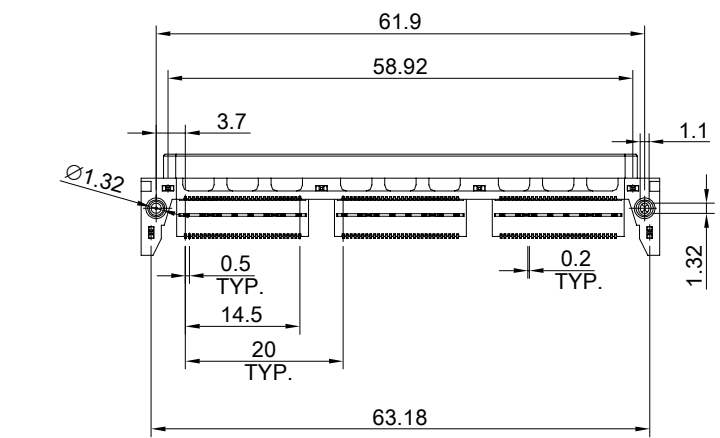


MATERIAL
CONTACTS: COPPER ALLOY
INSULATOR: LCP THERMOPLASTIC 94V-0

FINISH
CONTACTS: 5μ" MIN. GOLD ON MATING END;
100μ" MIN. MATTE TIN ON SOLDER FOOT AREA
ALL UNDERPLATED NICKEL
GROUND PLANE: 5μ" MIN. GOLD ON MATING END;
100μ" MIN. MATTE TIN ON SOLDER FOOT AREA
ALL UNDERPLATED NICKEL

ELECTRICAL CHARACTERISTICS
CONTACT CURRENT RATING: 2 AMPERE
GROUND PLANE CURRENT RATING: 25 AMPERE
VOLTAGE RATING: 275VAC
MAX CYCLES: 100

ENVIRONMEENT
OPERATION TEMPERATURE: -55°C TO 125°C
SMT TEMPERATURE: 260°C



TITLE: 0.50mm 180Pin Double Row Right Angle Terminal Assembly (Gen.2)

DWG#: R-QM-05180-9AXX SHEET: 1/2 REV. REF

UNIT: mm SCALE: A4 1:1 FINISH: CHECKED:

TOLERANCE: Angle: ± 1° THIRD ANGLE PROJECTION MATERIAL: RoHS Compliant APPROVED:

X.± 0.25 .X± 0.20 .XX± 0.15 DRAWN: Tony DATE: 02/10/2020

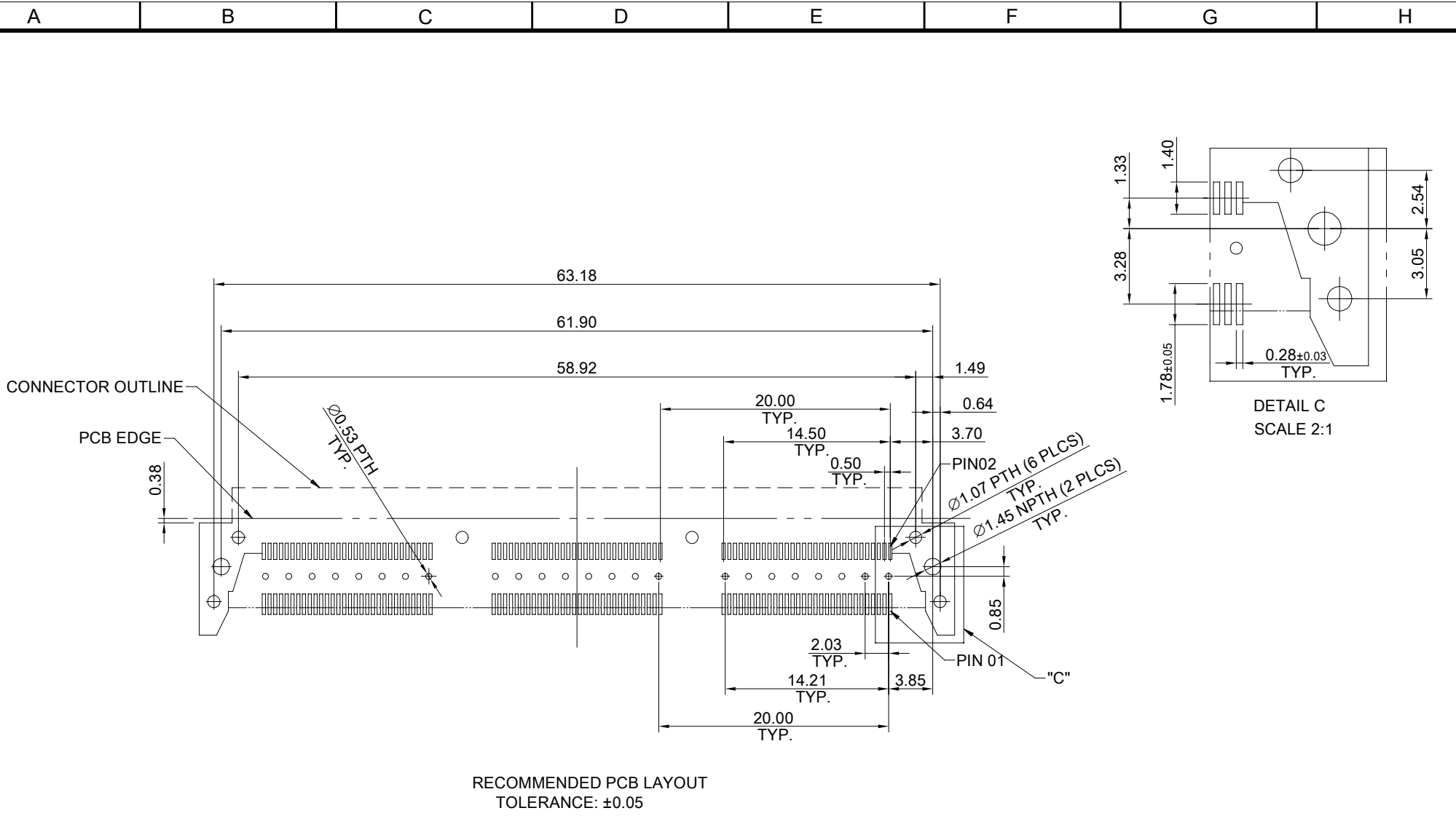


ALL BEST
ELECTRONICS
CO., LTD.

A B C D E F G H

1
2
3
4
5
6
7
8

1
2
3
4
5
6
7
8



RECOMMENDED PCB LAYOUT
TOLERANCE: ±0.05



TITLE: 0.50mm 180Pin Double Row Right Angle Terminal Assembly (Gen.2)			
DWG#: R-QM-05180-9AXX			SHEET: 2/2
UNIT: mm			REV. REF
SCALE: A4 1:1	FINISH:		CHECKED:
THIRD ANGLE PROJECTION		MATERIAL: RoHS Compliant	APPROVED:
TOLERANCE: Angle:± 1° X.± 0.15 .X± 0.1 .XX± 0.05		DRAWN: Tony	DATE: 02/10/2020