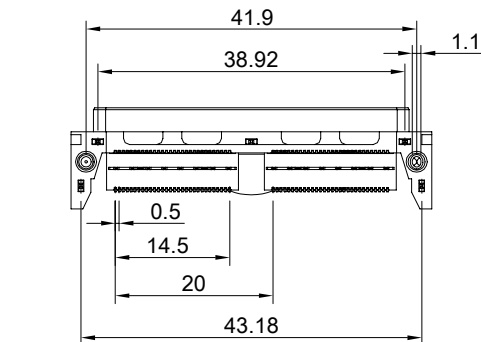


MATERIAL
 CONTACTS: COPPER ALLOY
 INSULATOR: LCP THERMOPLASTIC 94V-0

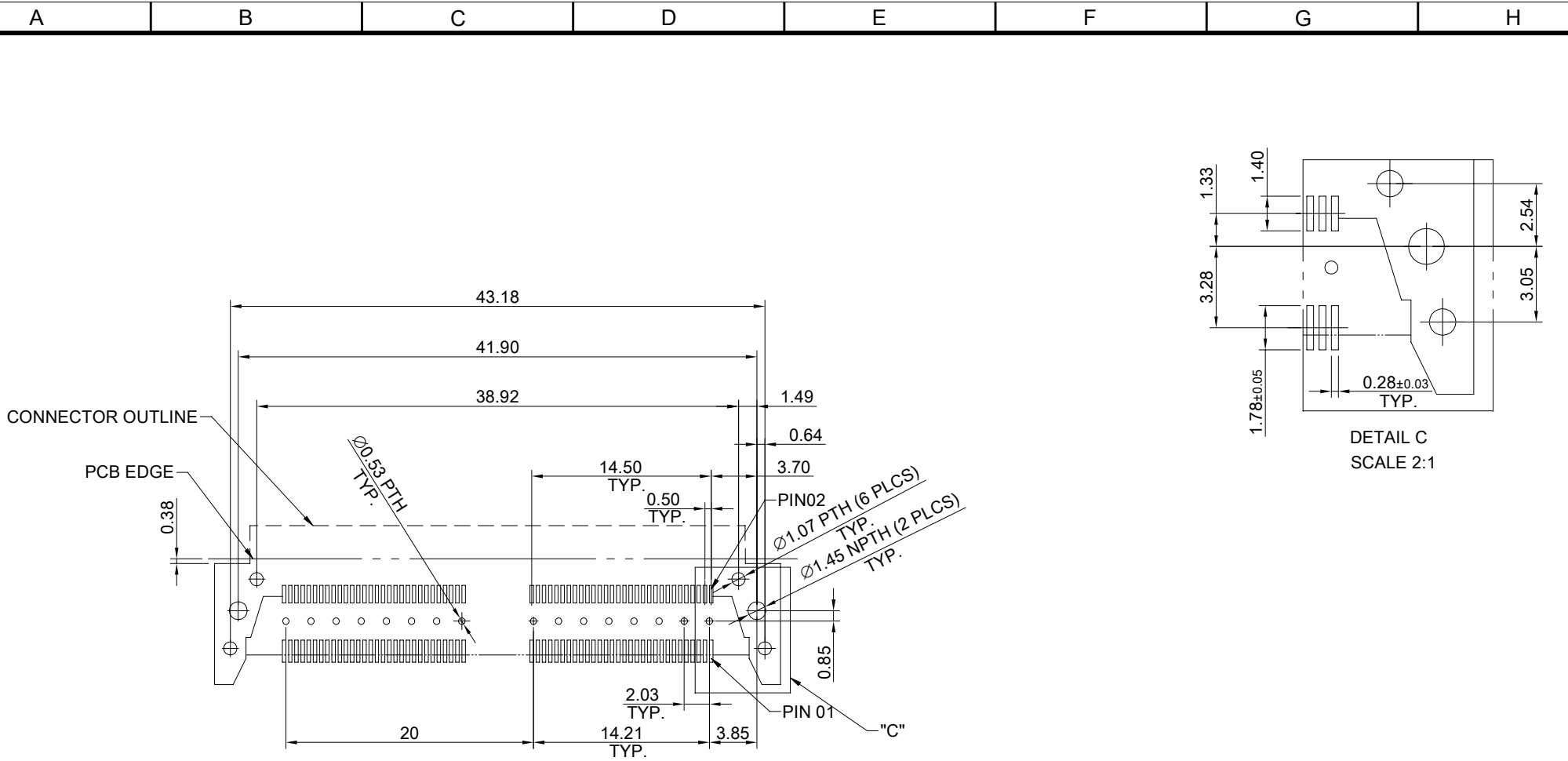
FINISH
 CONTACTS: 5μ" MIN. GOLD ON MATING END;
 100μ" MIN. MATTE TIN ON SOLDER FOOT AREA
 ALL UNDERPLATED NICKEL
 GROUND PLANE: 5μ" MIN. GOLD ON MATING END;
 100μ" MIN. MATTE TIN ON SOLDER FOOT AREA
 ALL UNDERPLATED NICKEL

ELECTRICAL CHARACTERISTICS
 CONTACT CURRENT RATING: 2 AMPERE
 GROUND PLANE CURRENT RATING: 25 AMPERE
 VOLTAGE RATING: 275VAC
 MAX CYCLES: 100

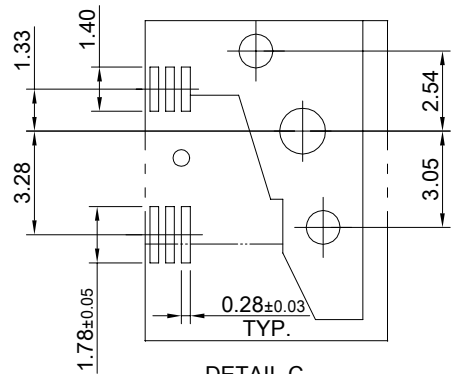
ENVIRONMENT
 OPERATION TEMPERATURE: -55°C TO 125°C
 SMT TEMPERATURE: 260°C



 ALL BEST ELECTRONICS CO., LTD.	TITLE: 0.50mm 120Pin Double Row Right Angle Terminal Assembly (Gen.3)		SHEET: 1/2		REV. 2
	DWG#: R-QM-05120-9AXX		CHECKED:		APPROVED:
	UNIT: mm	SCALE: A4 1:1	FINISH:		DATE: 12/11/2019
	TOLERANCE: Angle: ± 1° X ± 0.25 .X ± 0.20 .XX ± 0.15		THIRD ANGLE PROJECTION	MATERIAL: RoHS Compliant	



RECOMMENDED PCB LAYOUT
TOLERANCE: ±0.05



DETAIL C
SCALE 2:1



**ALL BEST
ELECTRONICS
CO., LTD.**

TITLE: 0.50mm 120Pin Double Row Right Angle Terminal Assembly (Gen.3)		SHEET: 2/2	REV. 2
DWG#: R-QM-05120-9AXX		CHECKED:	
UNIT: mm	SCALE: A4 1:1	FINISH:	APPROVED:
TOLERANCE: Angle: ± 1° X: ± 0.15 .X: ± 0.1 .XX: ± 0.05		MATERIAL: RoHS Compliant	DATE: 12/11/2019
THIRD ANGLE PROJECTION		DRAWN: Tony	