

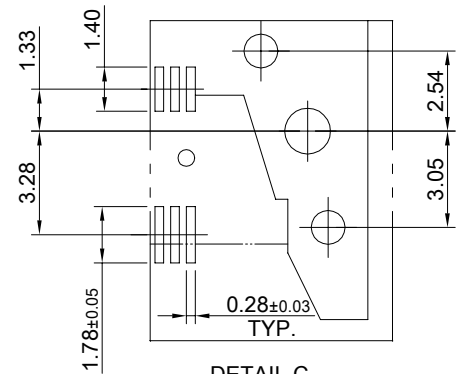
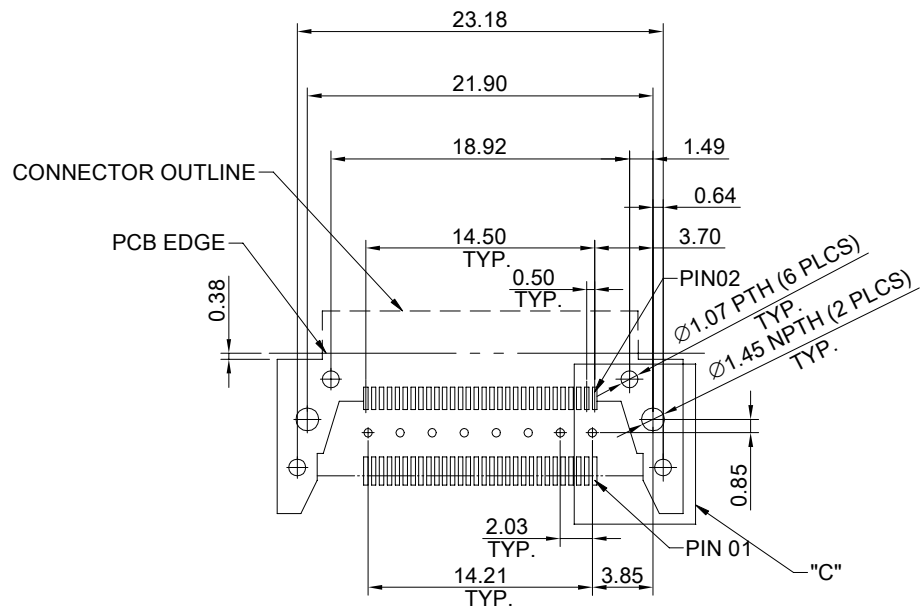
MATERIAL  
CONTACTS: COPPER ALLOY  
INSULATOR: LCP THERMOPLASTIC 94V-0

FINISH  
CONTACTS: 5μ" MIN. GOLD ON MATING END;  
100μ" MIN. MATTE TIN ON SOLDER FOOT AREA  
ALL UNDERPLATED NICKEL  
GROUND PLANE: 5μ" MIN. GOLD ON MATING END;  
100μ" MIN. MATTE TIN ON SOLDER FOOT AREA  
ALL UNDERPLATED NICKEL

ELECTRICAL CHARACTERISTICS  
CONTACT CURRENT RATING: 2 AMPERE  
GROUND PLANE CURRENT RATING: 25 AMPERE  
VOLTAGE RATING: 275VAC  
MAX CYCLES: 100

ENVIRONMENT  
OPERATION TEMPERATURE: -55°C TO 125°C  
SMT TEMPERATURE: 260°C

	TITLE: 0.50mm 60Pin Double Row Right Angle Terminal Assembly (Gen.2)		
	DWG#: R-QM-05060-9AXX		SHEET: 1/2
	UNIT: mm		REV. REF
	SCALE: A4 1:1	FINISH:	
	THIRD ANGLE PROJECTION		CHECKED:
	MATERIAL: RoHS Compliant		APPROVED:
	TOLERANCE: Angle: ± 1° X ± 0.25 .X ± 0.20 .XX ± 0.15		DRAWN: Tony



DETAIL C  
SCALE 2:1

RECOMMENDED PCB LAYOUT  
TOLERANCE: ±0.05



**ALL BEST  
ELECTRONICS  
CO., LTD.**

TITLE: 0.50mm 60Pin Double Row Right Angle Terminal Assembly (Gen.2)

DWG#: R-QM-05060-9AXX

SHEET: 2/2	REV. REF
---------------	-------------

UNIT: mm	SCALE: A4 1:1
-------------	------------------

FINISH:	CHECKED:
---------	----------

THIRD ANGLE PROJECTION	MATERIAL: RoHS Compliant
------------------------	-----------------------------

APPROVED:
-----------

TOLERANCE: Angle:± 1°  
X.± 0.15 .X± 0.1 .XX± 0.05

DRAWN: Tony	DATE: 02/10/2022
----------------	---------------------

UNIT: mm SCALE: A4 1:1 FINISH: CHECKED: APPROVED: DATE: 02/10/2022

DRAWN: Tony DATE: 02/10/2022