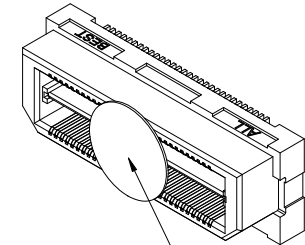
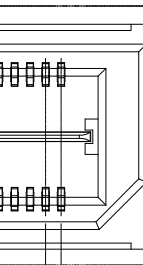
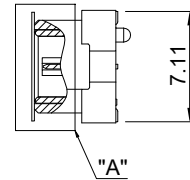
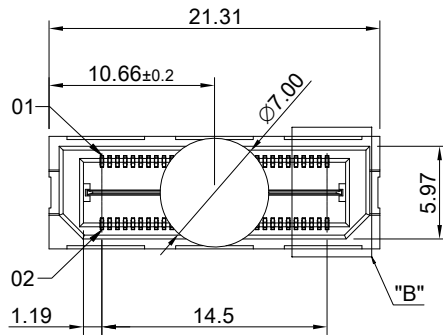


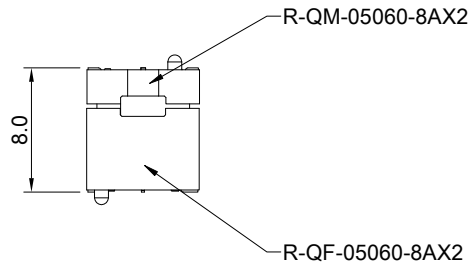
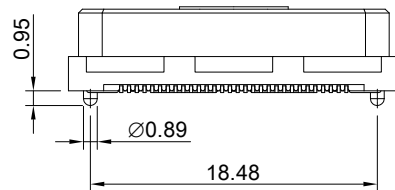
DETAIL A
SCALE 2:1



MYLAR



0.5
TYP.
DETAIL B
SCALE 2:1



The combined height of the male and female connectors after mating.

MATERIAL
CONTACTS: COPPER ALLOY
INSULATOR: LCP THERMOPLASTIC 94V-0

FINISH
CONTACTS: 5µ" MIN. GOLD ON MATING END;
100µ" MIN. MATTE TIN ON SOLDER FOOT AREA
ALL UNDERPLATED NICKEL
GROUND PLANE: 5µ" MIN. GOLD ON MATING END;
100µ" MIN. MATTE TIN ON SOLDER FOOT AREA
ALL UNDERPLATED NICKEL

ELECTRICAL CHARACTERISTICS
CONTACT CURRENT RATING: 2 AMPERE
GROUND PLANE CURRENT RATING: 25 AMPERE
VOLTAGE RATING: 175 VAC
MAX CYCLES: 100

ENVIRONMENT
OPERATION TEMPERATURE: -55°C TO 125°C
SMT TEMPERATURE: 260°C



TITLE: 0.50mm 60Pin Double Row Terminal Assembly (Gen.2)

DWG#: R-QM-05060-8AX2

SHEET: 1/2
REV. A

UNIT: mm
SCALE: A4 2:1

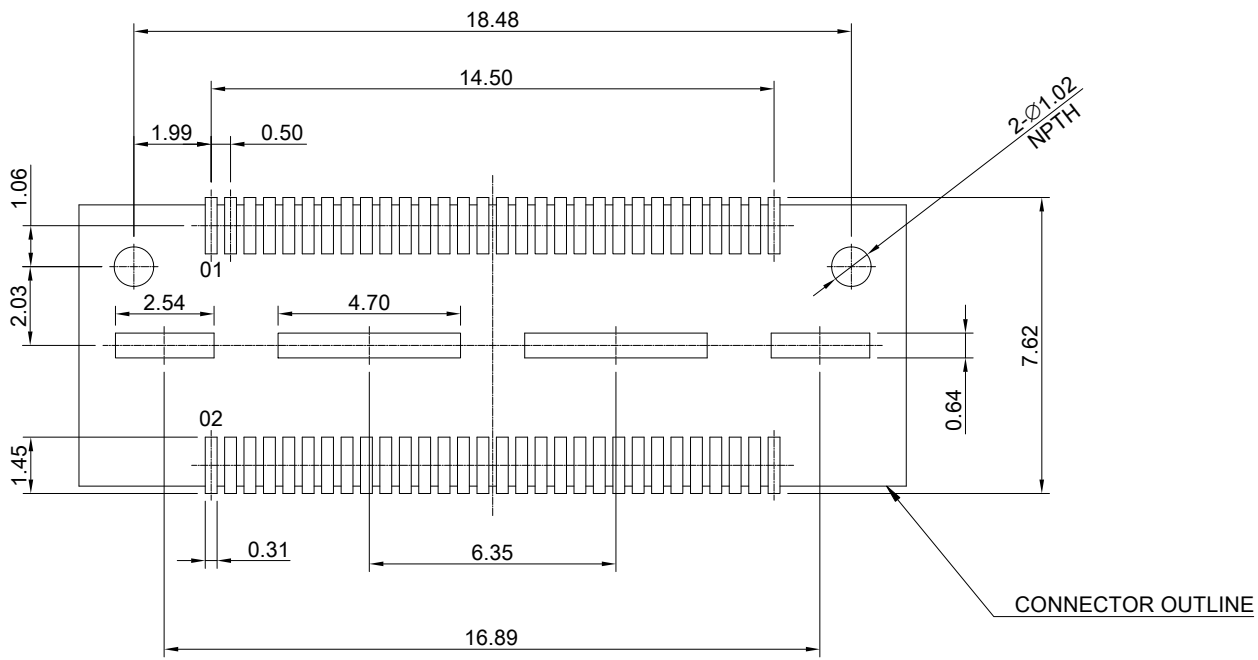
FINISH: CHECKED: Gary Kang

THIRD ANGLE PROJECTION

MATERIAL: RoHS Compliant
APPROVED: George Yang

TOLERANCE: Angle: ± 1°
X: ± 0.25 .X: ± 0.20 .XX: ± 0.15

DRAWN: Tony
DATE: 12/03/2020



RECOMMENDED PCB LAYOUT
TOLERANCE: ± 0.05

	TITLE: 0.50mm 60Pin Double Row Terminal Assembly (Gen.2)			SHEET: 2/2		REV. A	
	DWG#: R-QM-05060-8AX2			CHECKED: Gary Kang		APPROVED: George Yang	
	UNIT: mm	SCALE: A4 5:1	FINISH:	MATERIAL: RoHS Compliant		DATE: 12/03/2020	
	THIRD ANGLE PROJECTION TOLERANCE: Angle: $\pm 1^\circ$ X: ± 0.15 .X: ± 0.1 .XX: ± 0.05		DRAWN: Tony				