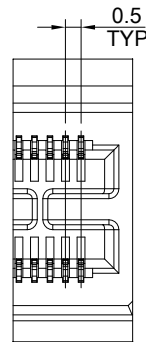
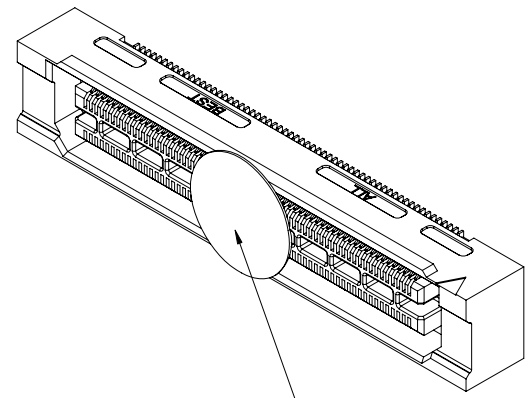


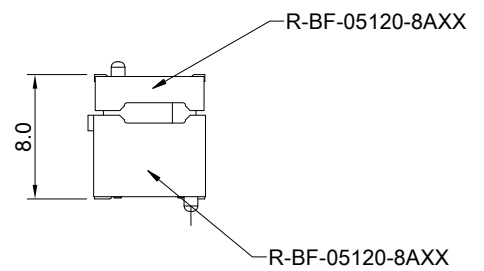
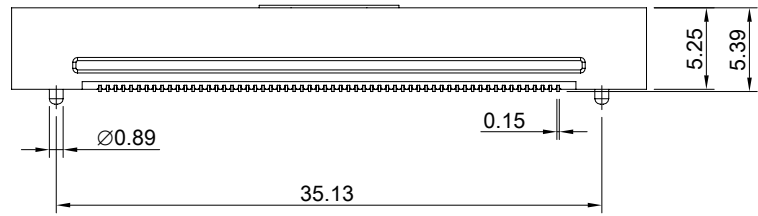
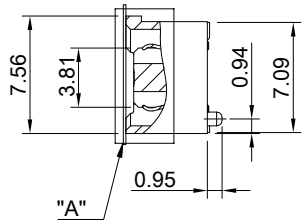
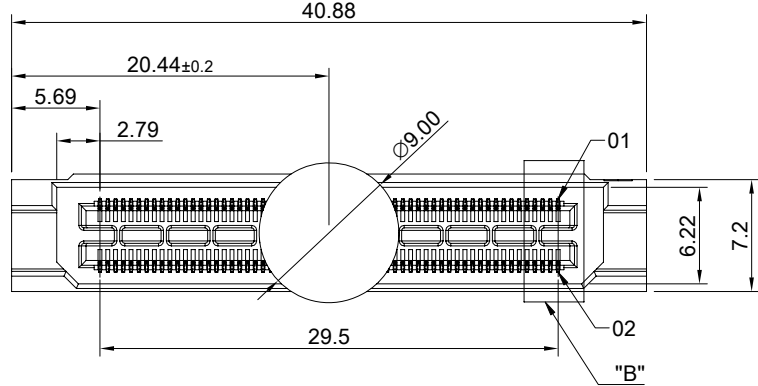
DETAIL A
SCALE 2:1



DETAIL B
SCALE 2:1



MYLAR



The combined height of the male and female connectors after mating.

MATERIAL
CONTACTS: COPPER ALLOY
INSULATOR: LCP THERMOPLASTIC 94V-0

FINISH
CONTACTS: 5μ" MIN. GOLD ON MATING END;
100μ" MIN. MATTE TIN ON SOLDER FOOT AREA
ALL UNDERPLATED NICKEL

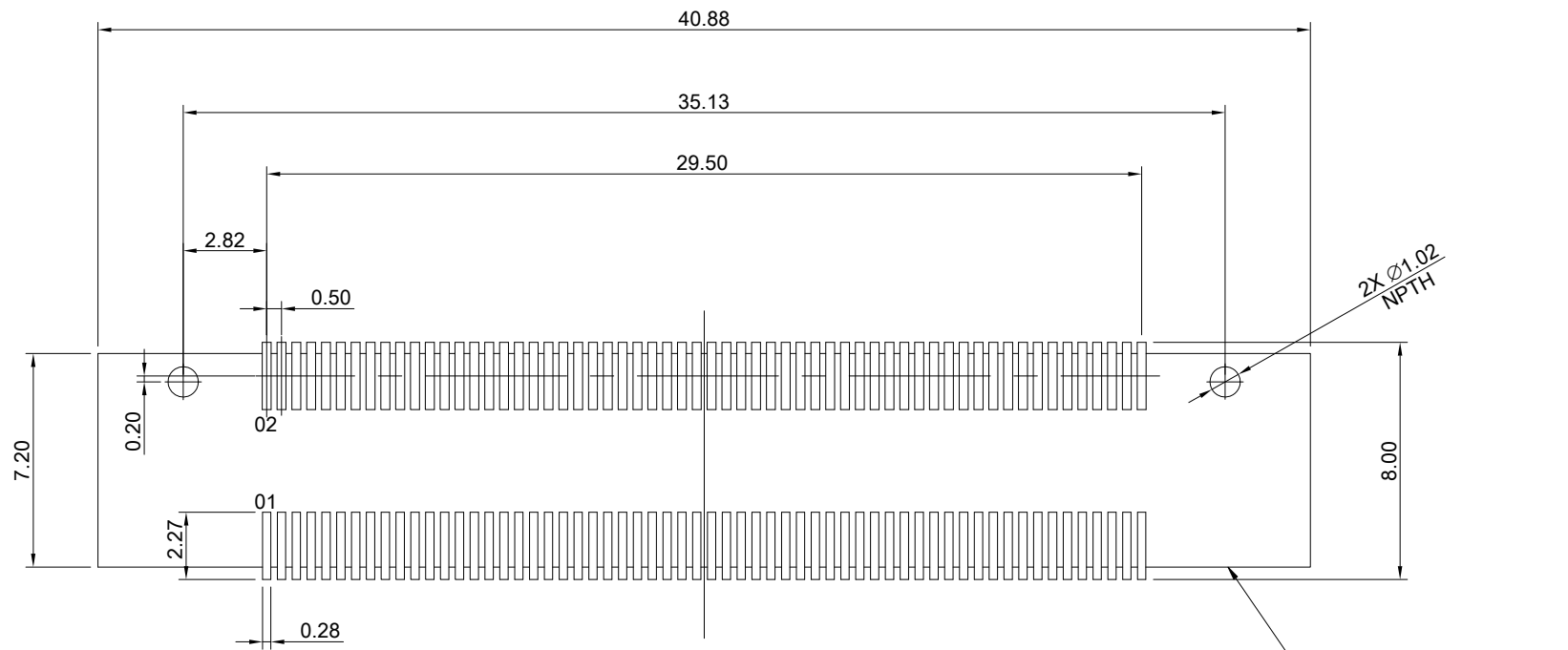
ELECTRICAL CHARACTERISTICS
CONTACT CURRENT RATING: 2 AMPERE
VOLTAGE RATING: 275 VAC
MAX CYCLES: 100

ENVIRONMENT
OPERATION TEMPERATURE: -55°C TO 125°C
SMT TEMPERATURE: 260°C



TITLE: 0.50mm 120Pin Double Row Socket Strip (Gen.2)			
DWG#: R-BF-05120-8AXX		SHEET: 1/2	REV.: A
UNIT: mm	SCALE: A4 2:1	FINISH:	CHECKED:
THIRD ANGLE PROJECTION TOLERANCE: Angle: ± 1° X ± 0.25 .X ± 0.20 .XX ± 0.15		MATERIAL: RoHS Compliant	APPROVED:
DRAWN: Tony		DATE: 01/18/2021	

Gary Kang
APPROVED:
George Yang
DATE: 01/18/2021



RECOMMENDED PCB LAYOUT
TOLERANCE: ± 0.05

CONNECTOR OUTLINE



TITLE: 0.50mm Double Row Socket Strip (Gen.2)

DWG#: R-BF-05120-8AXX

SHEET: 2/2
REV. A

UNIT: mm
SCALE: A4 2:1

FINISH:

CHECKED:

Gary Kang

THIRD ANGLE PROJECTION

MATERIAL: RoHS Compliant

APPROVED:

George Yang

TOLERANCE: Angle: $\pm 1^\circ$
X: ± 0.15 .X: ± 0.10 .XX: ± 0.05

DRAWN: Sheng

DATE: 01/18/2021