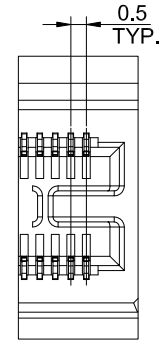
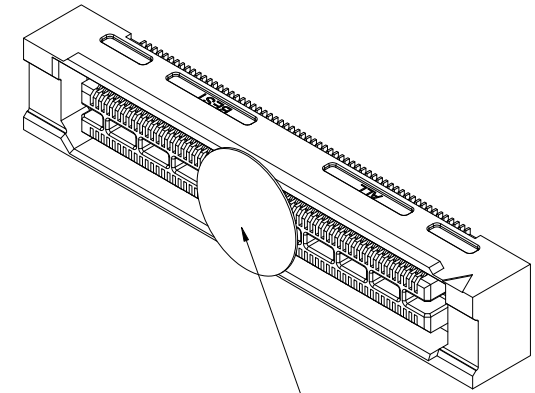


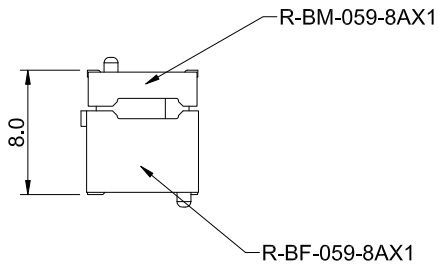
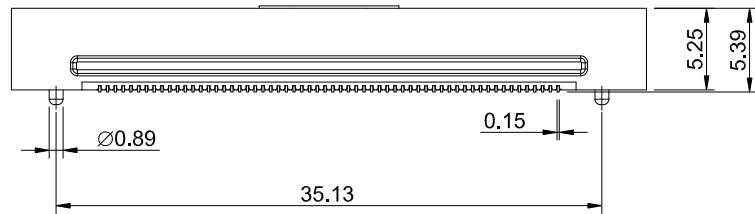
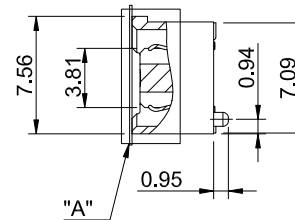
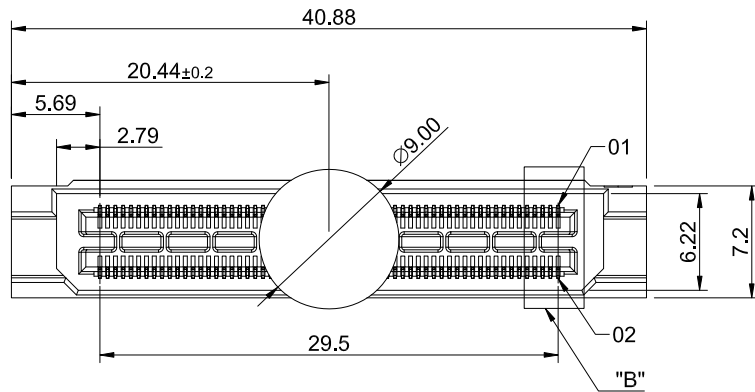
DETAIL A
SCALE 2:1



DETAIL B
SCALE 2:1



MYLAR



The combined height of the male and female connectors after mating.

MATERIAL
CONTACTS: COPPER ALLOY
INSULATOR: LCP THERMOPLASTIC 94V-0

FINISH
CONTACTS: 5μ" MIN. GOLD ON MATING END;
100μ" MIN. MATTE TIN ON SOLDER FOOT AREA
ALL UNDERPLATED NICKEL

ELECTRICAL CHARACTERISTICS
CONTACT CURRENT RATING: 2 AMPERE
VOLTAGE RATING: 275VAC
MAX CYCLES: 100

ENVIRONMENT
OPERATION TEMPERATURE: -55°C TO 125°C
SMT TEMPERATURE: 260°C



TITLE: 0.50mm Double Row Socket Strip (Gen.3)

DWG#: R-BF-059-8AX1

UNIT: mm SCALE: A4 2:1

THIRD ANGLE PROJECTION

TOLERANCE: Angle: ±1°
X: ±0.25 .X: ±0.20 .XX: ±0.15

FINISH: MATERIAL: RoHS Compliant

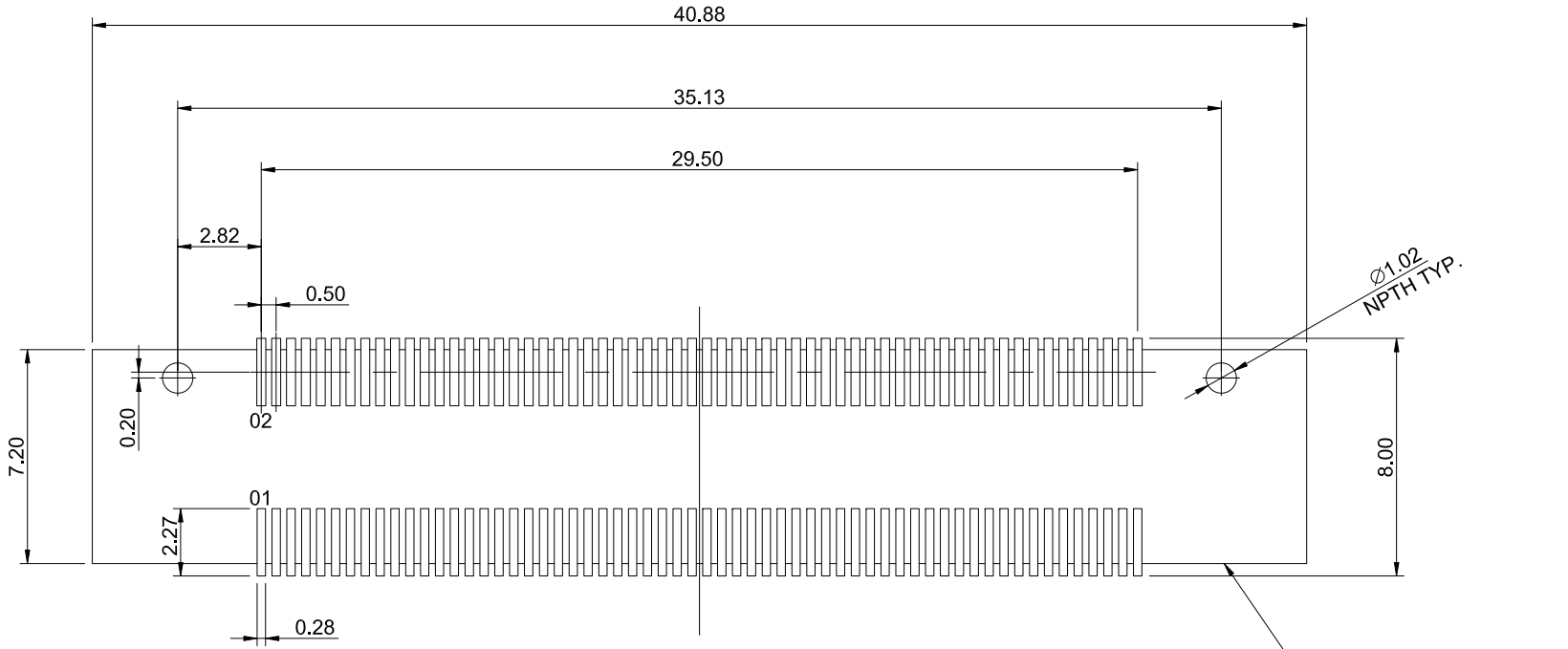
DRAWN: Sheng

SHEET: 1/2 REV. A

CHECKED: Gary Kang

APPROVED: George Yang

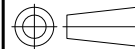
DATE: 08/28/2018



RECOMMENDED PCB LAYOUT
TOLERANCE: ±0.05

CONNECROUR OUTLINE



TITLE: 0.50mm Double Row Socket Strip (Gen.3)			
DWG#: R-BF-059-8AX1		SHEET: 2/2	REV. A
UNIT: mm	SCALE: A4 2:1	FINISH:	CHECKED: Gary Kang
 THIRD ANGLE PROJECTION		MATERIAL: RoHS Compliant	APPROVED: George Yang
TOLERANCE: X:± 0.15 .X± 0.10 .XX± 0.05		DRAWN: Sheng	DATE: 08/28/2018