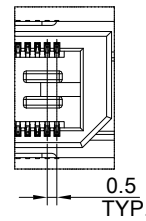
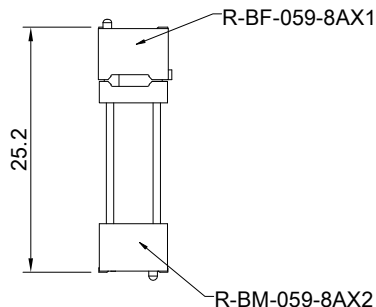
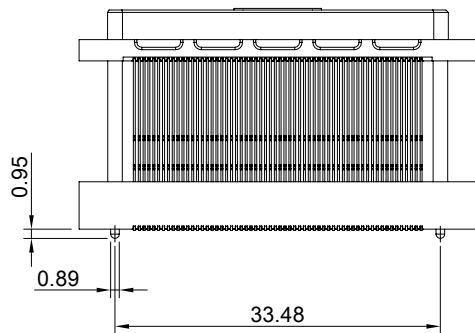
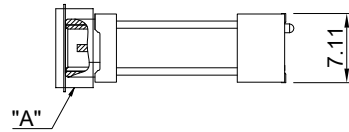
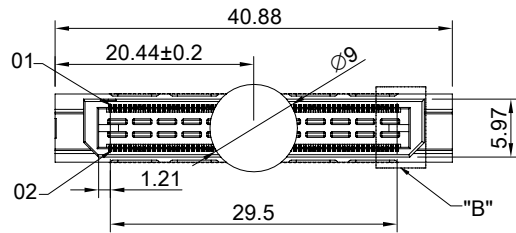
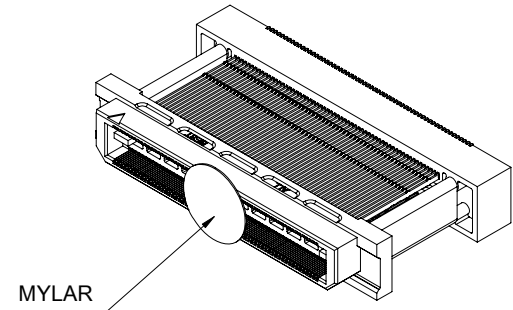


DETAIL A
SCALE 2:1



DETAIL B
SCALE 2:1



The combined height of the male and female connectors after mating.

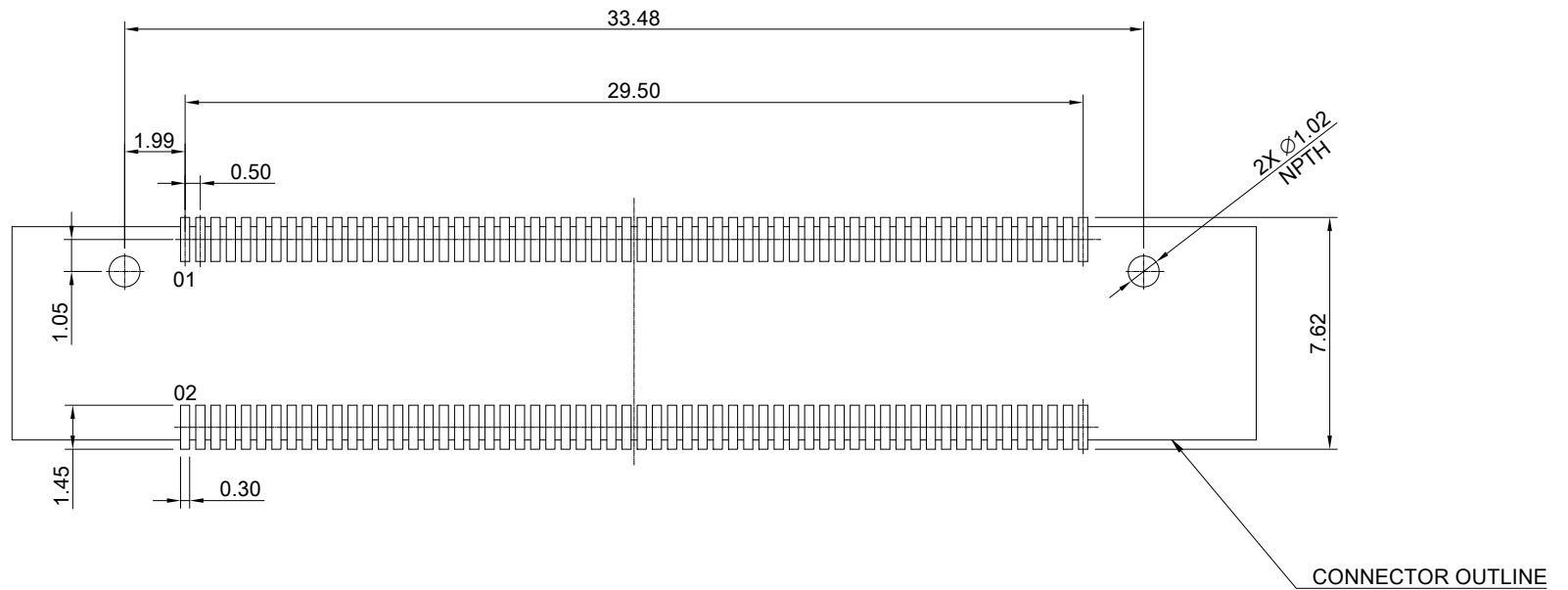
MATERIAL
CONTACTS: COPPER ALLOY
INSULATOR: LCP THERMOPLASTIC 94V-0

FINISH
CONTACTS: 5μ" MIN. GOLD ON MATING END;
100μ" MIN. MATTE TIN ON SOLDER FOOT AREA
ALL UNDERPLATED NICKEL


ELECTRICAL CHARACTERISTICS
CONTACT CURRENT RATING: 2 AMPERE
VOLTAGE RATING: 275 VAC
MAX CYCLES: 100

ENVIRONMENT
OPERATION TEMPERATURE: -55°C TO 125°C
SMT TEMPERATURE: 260°C

	TITLE: 0.50mm 120Pin Double Row Terminal Assembly H:25.2mm (Gen.2)			SHEET: 1/2		REV. B
	DWG#: R-BM-059-8AX2			CHECKED: Gary Kang		APPROVED: George Yang
	UNIT: mm	SCALE: A4 2:1	FINISH:	MATERIAL: RoHS Compliant		DATE: 04/18/2022
	TOLERANCE: Angle: ± 1° X: ± 0.25 .X: ± 0.20 .XX: ± 0.15		THIRD ANGLE PROJECTION	DRAWN: Tony		



RECOMMENDED PCB LAYOUT
TOLERANCE: ± 0.05

 ALL BEST ELECTRONICS CO., LTD.	TITLE: 0.50mm 120Pin Double Row Terminal Assembly H:25.2mm (Gen.2)			SHEET: 2/2		REV.: B	
	DWG#: R-BM-059-8AX2			CHECKED: Gary Kang		APPROVED: George Yang	
	UNIT: mm	SCALE: A4 4:1	FINISH:	MATERIAL: RoHS Compliant		DATE: 04/18/2022	
	TOLERANCE: Angle: $\pm 1^\circ$ X: ± 0.15 .X: ± 0.10 .XX: ± 0.05		THIRD ANGLE PROJECTION	DRAWN: Tony			