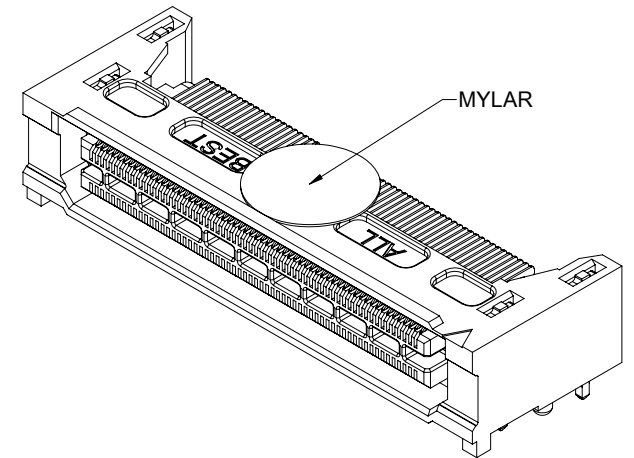
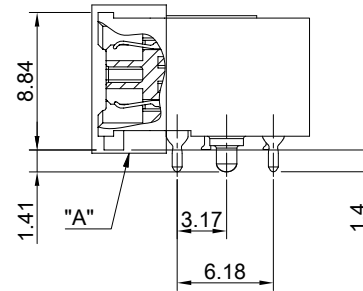
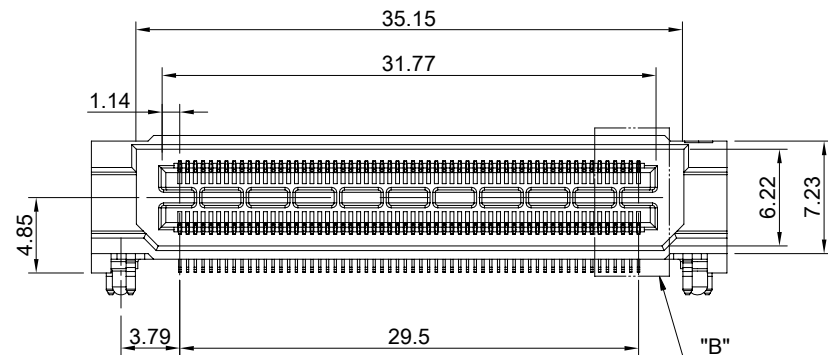


DETAIL A
SCALE 2:1

DETAIL B
SCALE 2:1

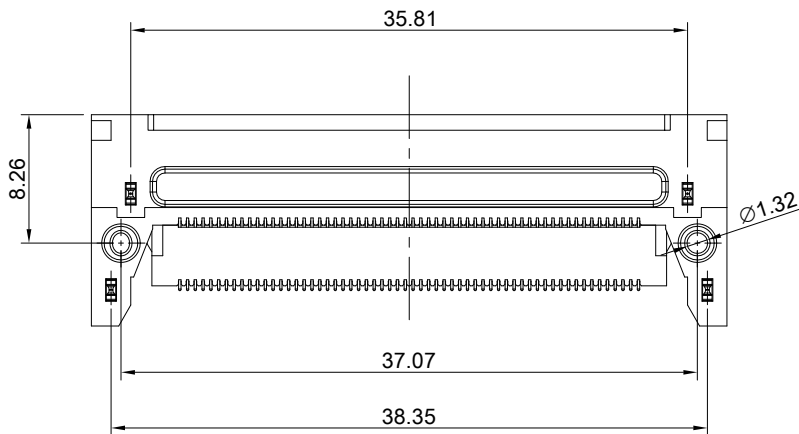


MATERIAL
CONTACTS: COPPER ALLOY
INSULATOR: LCP THERMOPLASTIC 94V-0

FINISH
CONTACTS: GOLD FLASH ON MATING END;
100µ" MIN. MATTE TIN ON SOLDER FOOT AREA
ALL UNDERPLATED NICKEL

ELECTRICAL CHARACTERISTICS
CONTACT CURRENT RATING: 2 AMPERE
VOLTAGE RATING: 275VAC
MAX CYCLES: 100

ENVIRONMENT
OPERATION TEMPERATURE: -55°C TO 125°C
SMT TEMPERATURE: 260°C



TITLE: 0.50mm 120Pin Double Row Right Angle Socket Strip (Gen.2)

DWG#: R-BF-05120-9AXX

UNIT: mm SCALE: A4 2:1

THIRD ANGLE PROJECTION

TOLERANCE: Angle: ± 1°
X: ± 0.25 .X: ± 0.20 .XX: ± 0.15

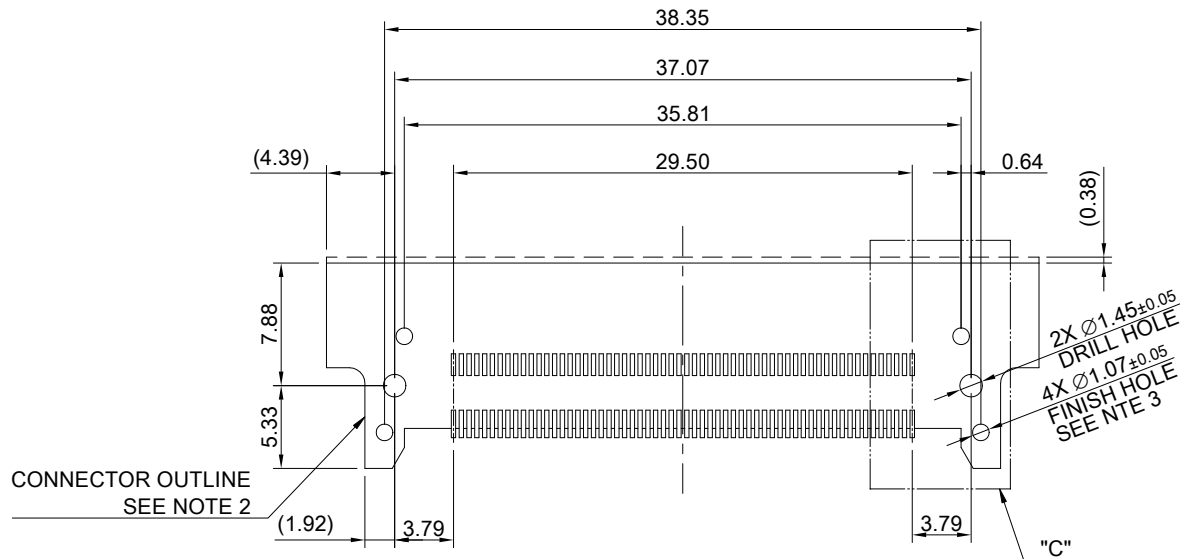
FINISH: SHEET: 1/2 REV. A
CHECKED: Gary Kang

MATERIAL: RoHS Compliant
APPROVED: George Yang

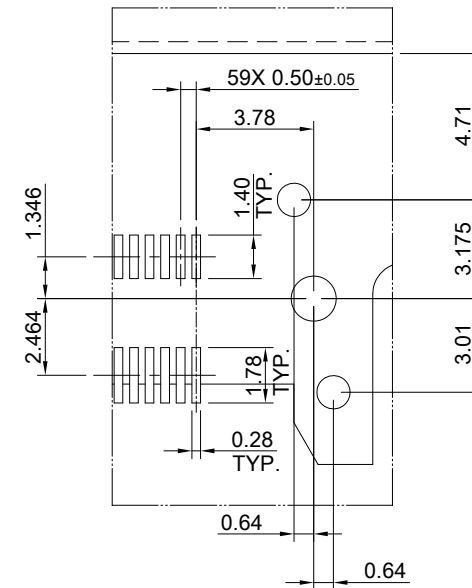
DRAWN: Tony DATE: 04/06/2021

A B C D E F G H

1
2
3
4
5
6
7
8



TOLERANCE: ±0.05



DETAIL C
SCALE 2:1

NOTE

1. ALL DIMENSIONS ARE SYMMETRIC ABOUT THE CENTERLINE.
2. CONNECTOR OUTLINE. OTHER COMPONENTS PLACED ON PCB, SHALL AVOID THIS AREA.
3. TO BE SOLDERED USING PASTE IN HOLE TECHNOLOGY.FLOW SOLDER.
4. NOT RECOMMENDED FOR INVERTED REFLOW SOLDER.

<p>ALL BEST ALL BEST ELECTRONICS CO., LTD.</p>		TITLE: 0.50mm120Pin Double Row Right Angle Socket Strip (Gen.2)	
		DWG#: R-BF-05120-9AXX	
UNIT: mm	SCALE: A4 2:1	FINISH:	SHEET: 2/2
THIRD ANGLE PROJECTION		MATERIAL: RoHS Compliant	REV. A
TOLERANCE: Angle:± 1° X.± 0.15 .X± 0.10 .XX± 0.05		DRAWN: Tony	CHECKED: Gary Kang
			APPROVED: George Yang
			DATE: 04/06/2021

A B C D E F G H