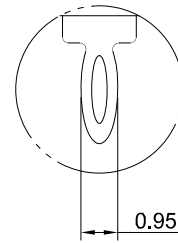
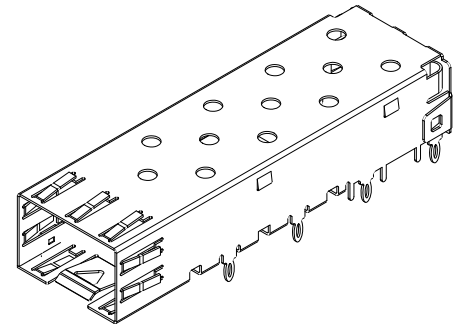


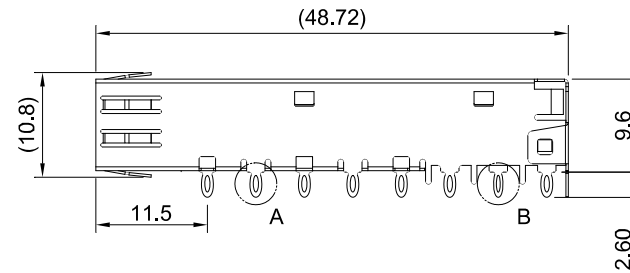
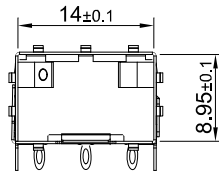
DETAIL A  
SCALE 4:1



DETAIL B  
SCALE 4:1



MATERIAL  
CAGE: NICKEL SILVER



TITLE: SFP Cage One Piece Press Fit

DWG#: R-SH-008020-19

SHEET: 1/2	REV. B
---------------	-----------

UNIT: mm	SCALE: A4 5:4
-------------	------------------

FINISH:	CHECKED: <i>Gary Kang</i>
---------	------------------------------

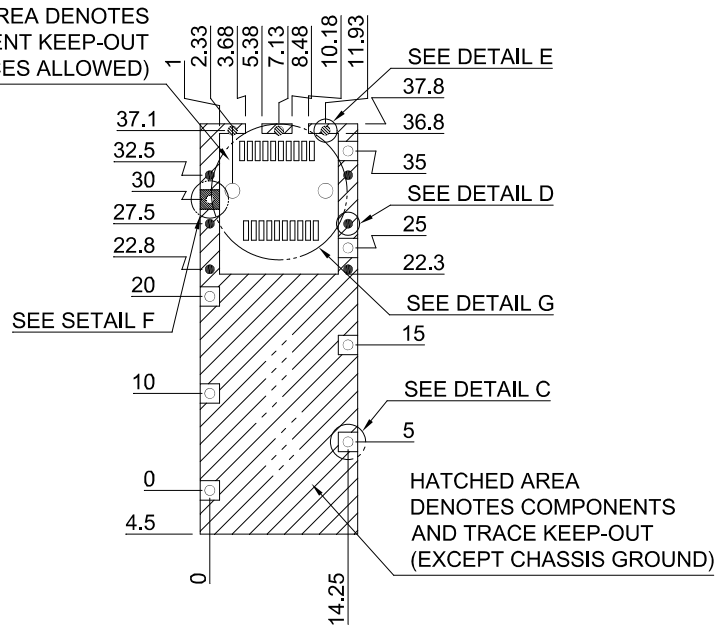
THIRD ANGLE PROJECTION	MATERIAL: RoHS Compliant
------------------------	-----------------------------

APPROVED: <i>George Yang</i>
---------------------------------

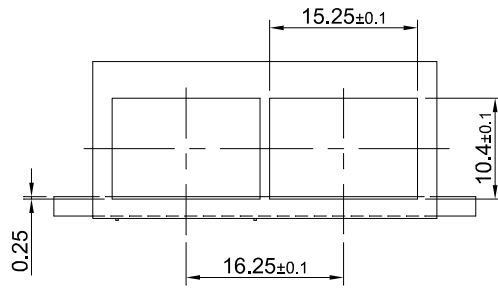
TOLERANCE: Angle: ± 1°  
X: ± 0.25 .X: ± 0.20 .XX: ± 0.15

DRAWN: Boris	DATE: 02/02/2016
-----------------	---------------------

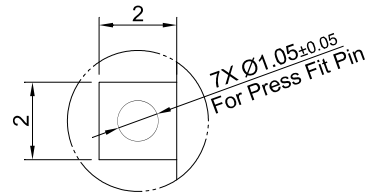
THIS AREA DENOTES  
COMPONENT KEEP-OUT  
(TRACES ALLOWED)



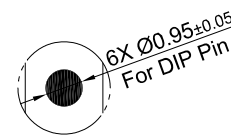
TOLERANCE:  $\pm 0.05$   
RECOMMENDED PCB LAYOUT



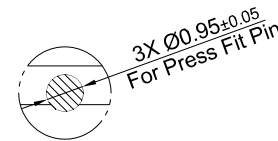
RECOMMENDED BEZEL CUT-OUT



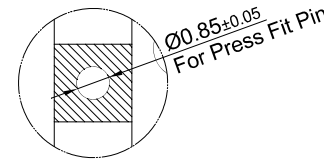
DETAIL C  
SCALE 4:1



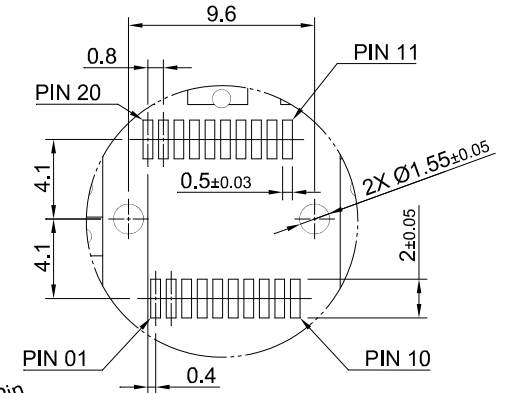
DETAIL D  
SCALE 4:1



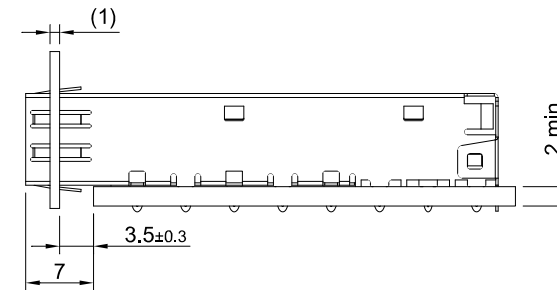
DETAIL E  
SCALE 4:1



DETAIL F  
SCALE 4:1



DETAIL E  
SCALE 2:1



TITLE: SFP Cage One Piece Press Fit			
DWG#: R-SH-008020-19		SHEET: 2/2	REV. B
UNIT: mm	SCALE: A4 5:4	FINISH:	CHECKED: Gary Kang
TOLERANCE: Angle: $\pm 1^\circ$ X: $\pm 0.15$ .X: $\pm 0.10$ .XX: $\pm 0.05$		MATERIAL: RoHS Compliant	APPROVED: George Yang
THIRD ANGLE PROJECTION		DRAWN: Boris	DATE: 02/02/2016