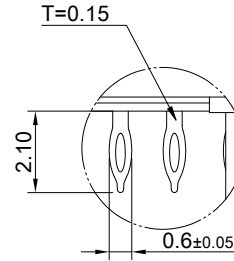
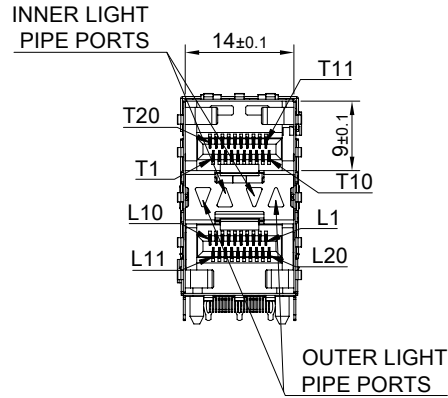
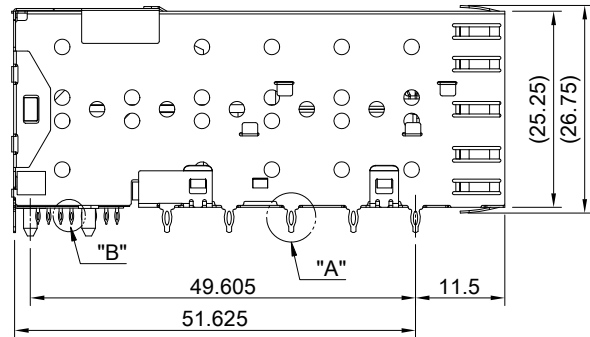
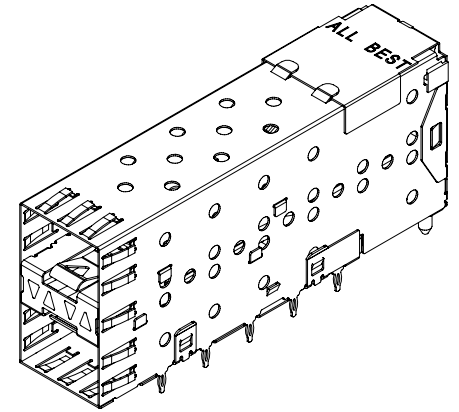


DETAIL A  
SCALE: 5:1



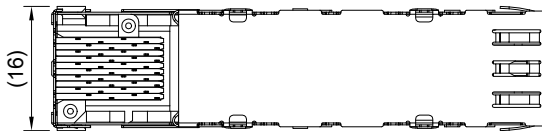
DETAIL B  
SCALE: 5:1



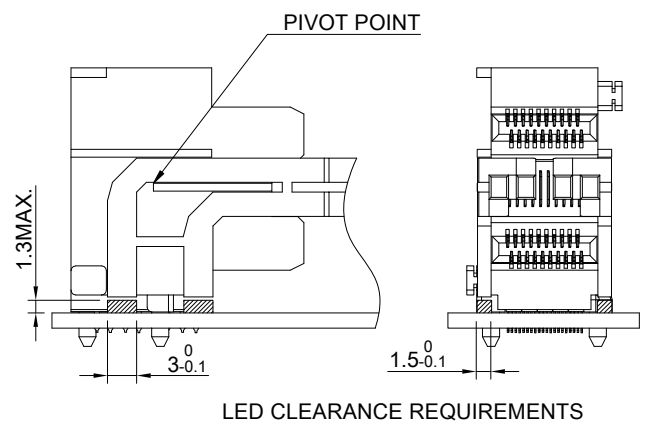
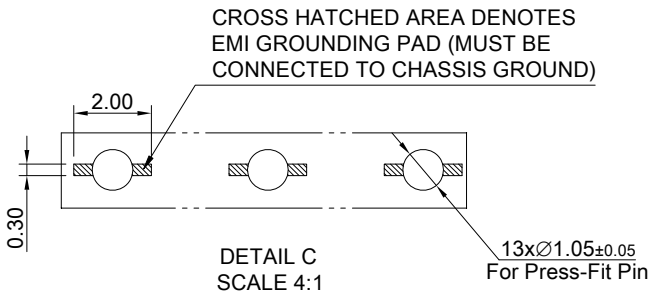
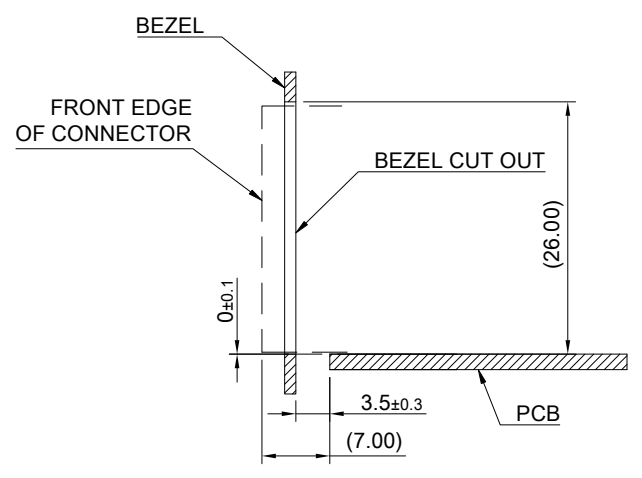
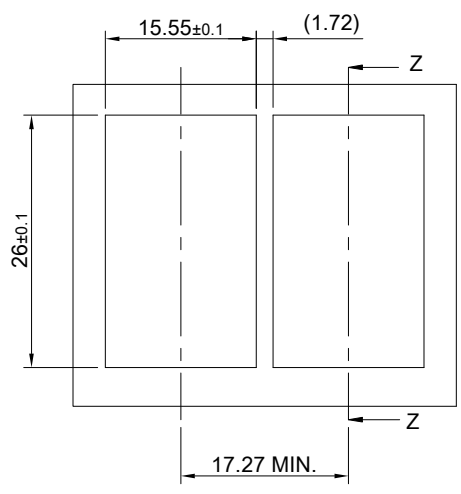
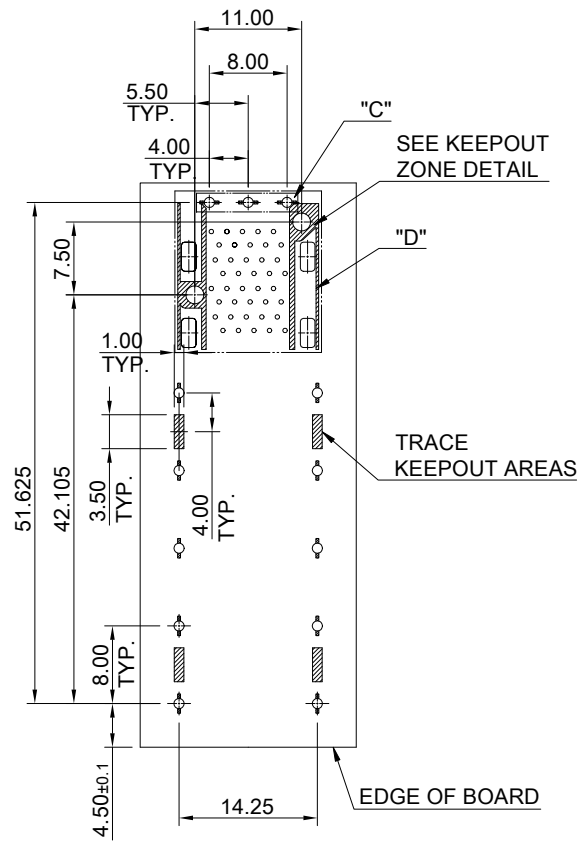
MATERIAL  
 CAGE: NICKEL SILVER  
 LIGHT PIPE: PC (CLEAR)  
 CONNECTOR: PA9T 94V-0 (BLACK)  
 LCP 94V-0 (DARK GRAY)  
 COPPER ALLOY

FINISH  
 CONTACT: 15μ" MIN. GOLD ON MATING END;  
 30μ" MIN. MATTE TIN ON TERMINATION END;  
 ALL UNDERPLATED 50μ" MIN. NICKEL

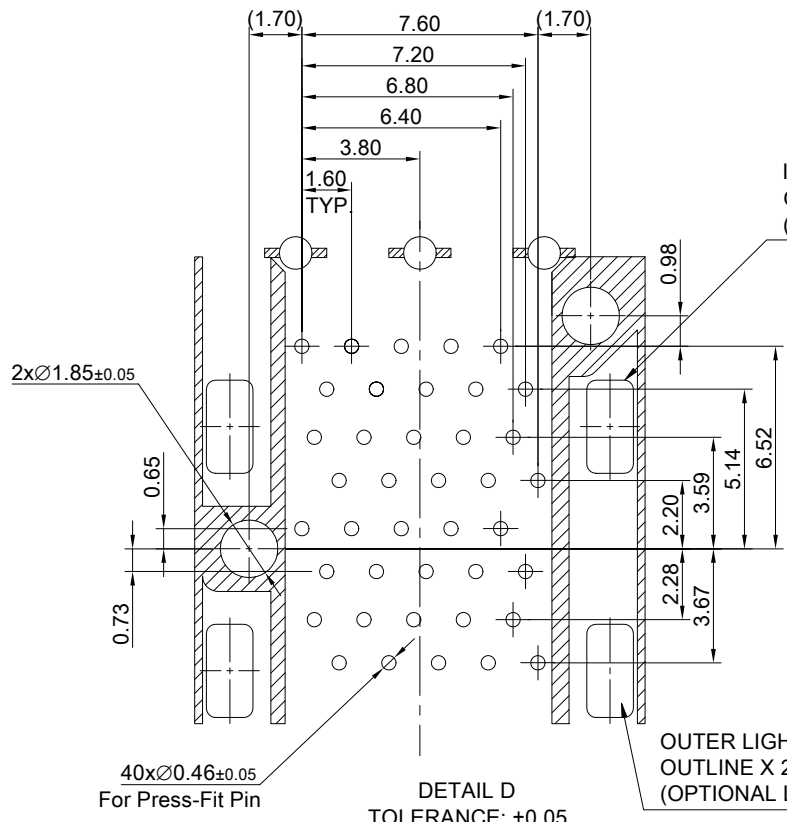
ELECTRICAL CHARACTERISTICS  
 CONTACT CURRENT RATING: 0.5 AMPERE  
 VOLTAGE RATING: 30 VAC  
 CONTACT RESISTANCE: 80 mΩ MAX.  
 DIELECTRIC WITHSTANDING VOLTAGE: 300VAC



	TITLE: Transformed SFP 2X1 w/ Light Pipe			SHEET:	REV.
	DWG#: R-DP-008040-7-F-N-18			1/3	D
	UNIT:	SCALE:	FINISH:	CHECKED:	
	mm	A4 1:1		Gary Yang	
TOLERANCE: Angle: ± 1° X.± 0.25 .X± 0.20 .XX± 0.15			MATERIAL:	APPROVED:	
			RoHS Compliant	George Yang	
			DRAWN:	DATE:	
			Howard	10/21/2021	

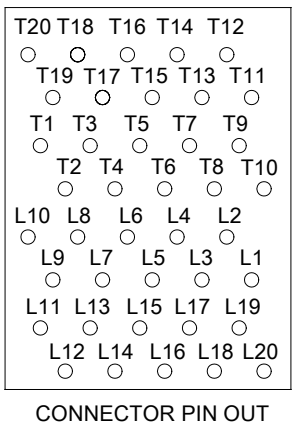
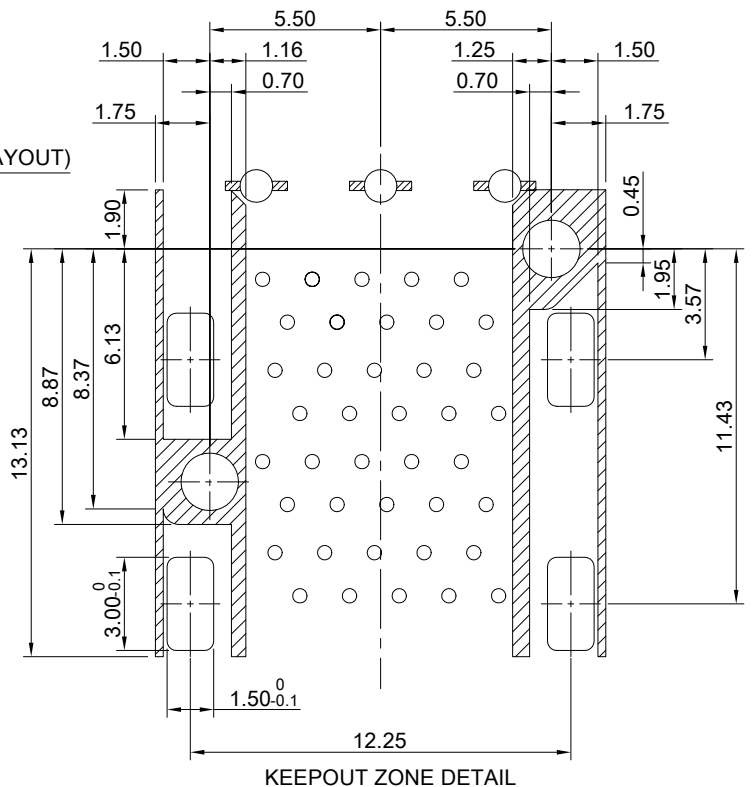


	TITLE: Transformed SFP 2X1 w/ Light Pipe		SHEET: 2/3	REV. D
	DWG#: R-DP-008040-7-F-N-18		CHECKED: Gary Yang	
	UNIT: mm	SCALE: A4 5:4	FINISH:	APPROVED: George Yang
	TOLERANCE: Angle: $\pm 1^\circ$ X: $\pm 0.15$ .X: $\pm 0.10$ .XX: $\pm 0.05$		MATERIAL: RoHS Compliant	DATE: 10/21/2021
		DRAWN: Howard		



INNER LIGHTS  
OUTLINE X 2PCS  
(OPTIONAL LED LAYOUT)

OUTER LIGHTS  
OUTLINE X 2PCS  
(OPTIONAL LED LAYOUT)



TITLE: Transformed SFP 2X1 w/ Light Pipe			
DWG#: R-DP-008040-7-F-N-18		SHEET: 3/3	REV. D
UNIT: mm	SCALE: A4 4:1	FINISH:	CHECKED: Gary Yang
THIRD ANGLE PROJECTION		MATERIAL: RoHS Compliant	APPROVED: George Yang
TOLERANCE: Angle: $\pm 1^\circ$ X: $\pm 0.15$ .X: $\pm 0.10$ .XX: $\pm 0.05$		DRAWN: Howard	DATE: 10/21/2021