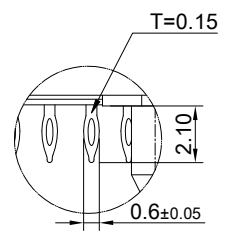
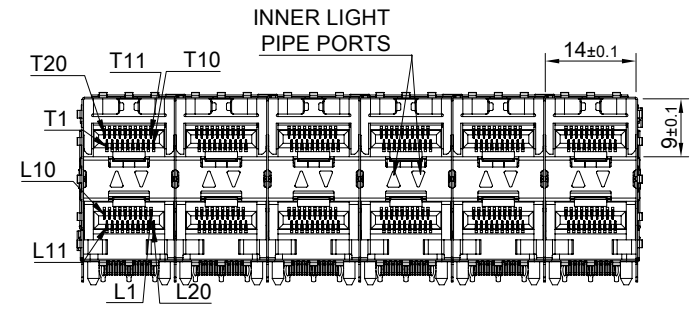
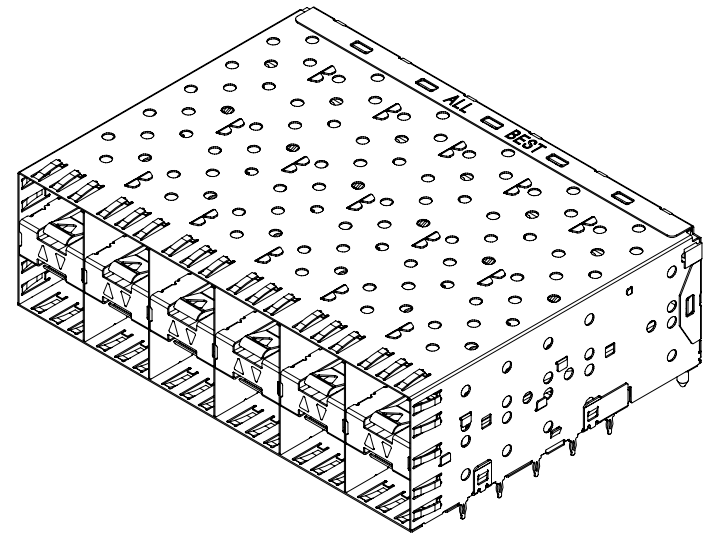


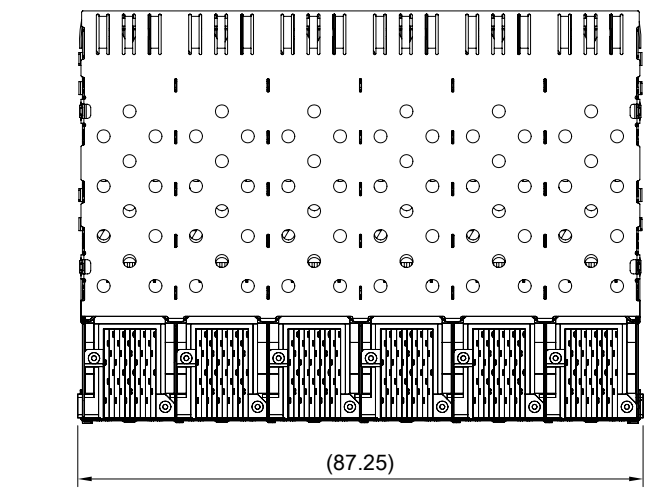
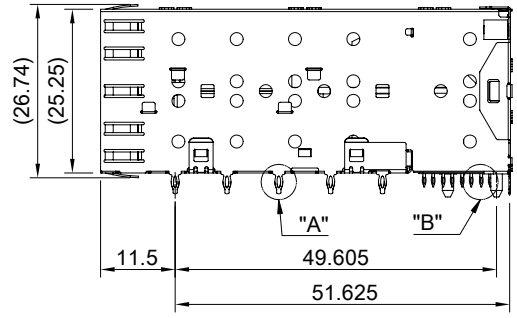
DETAIL A
SCALE 5 : 1



DETAIL B
SCALE 5 : 1



INNER LIGHT
PIPE PORTS



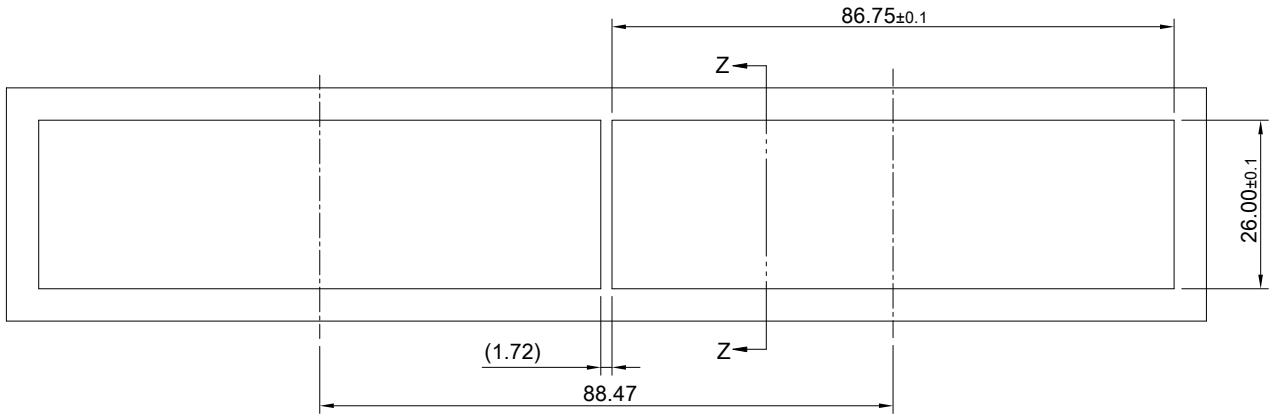
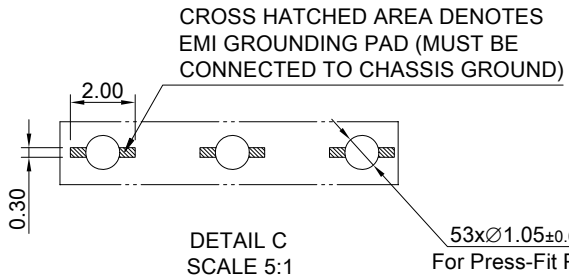
MATERIAL
 CAGE: NICKEL SILVER
 CONNECTOR: PA9T 94V-0 (BLACK)
 LCP 94V-0 (DARK GRAY)
 COPPER ALLOY

LIGHT PIPE: PC

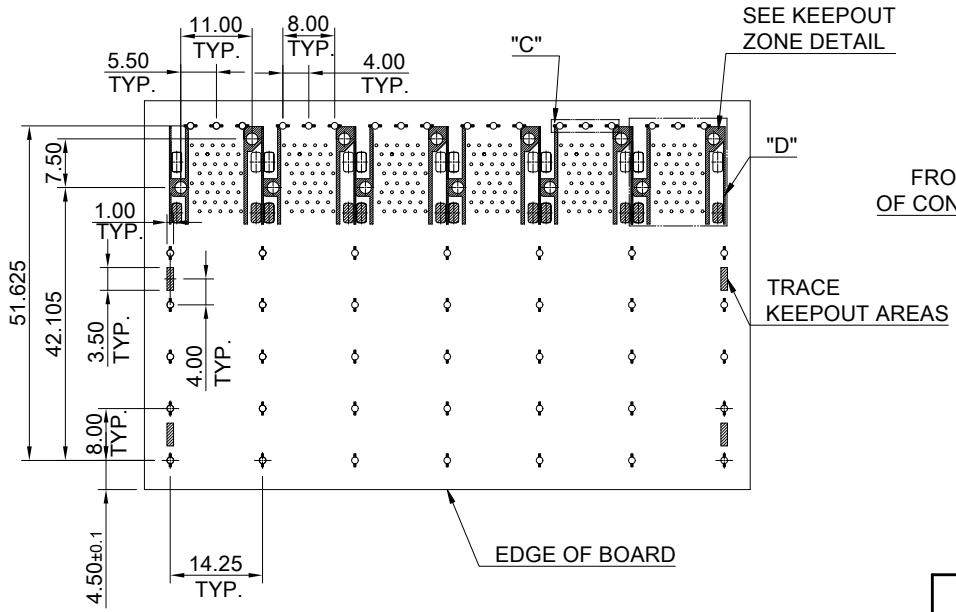
FINISH
 CONTACT: 15µ" MIN. GOLD ON MATING END;
 30µ" MIN. TIN ON TERMINATION END;
 ALL UNDERPLATED 50µ" MIN. NICKEL

ELECTRICAL CHARACTERISTICS
 CONTACT CURRENT RATING: 0.5 AMPERE
 VOLTAGE RATING: 30 VAC
 CONTACT RESISTANCE: 80 mΩ MAX.
 DIELECTRIC WITHSTANDING VOLTAGE: 300VAC

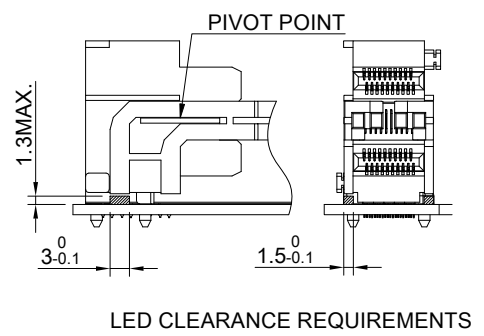
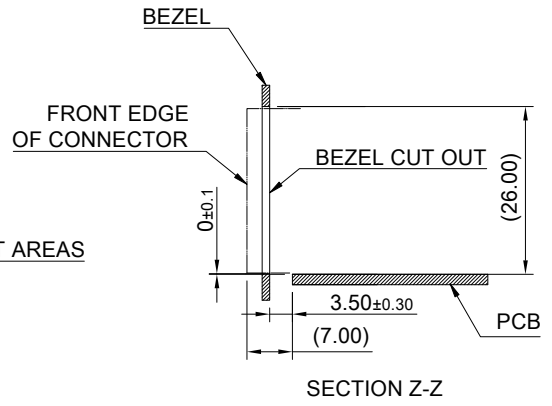
 ALL BEST ELECTRONICS CO., LTD.	TITLE: Transformed SFP 2X6 w/ Light Pipe		SHEET: 1/3	REV. C
	DWG#: R-OP-008240-7-F-N-20		CHECKED: Gary Kang	
	UNIT: mm	SCALE: A4 5:6	FINISH:	APPROVED: George Yang
	THIRD ANGLE PROJECTION TOLERANCE: Angle: ± 1° X: ± 0.25 .X: ± 0.20 .XX: ± 0.15		MATERIAL: RoHS Compliant	DATE: 04/19/2022
		DRAWN: Laura		



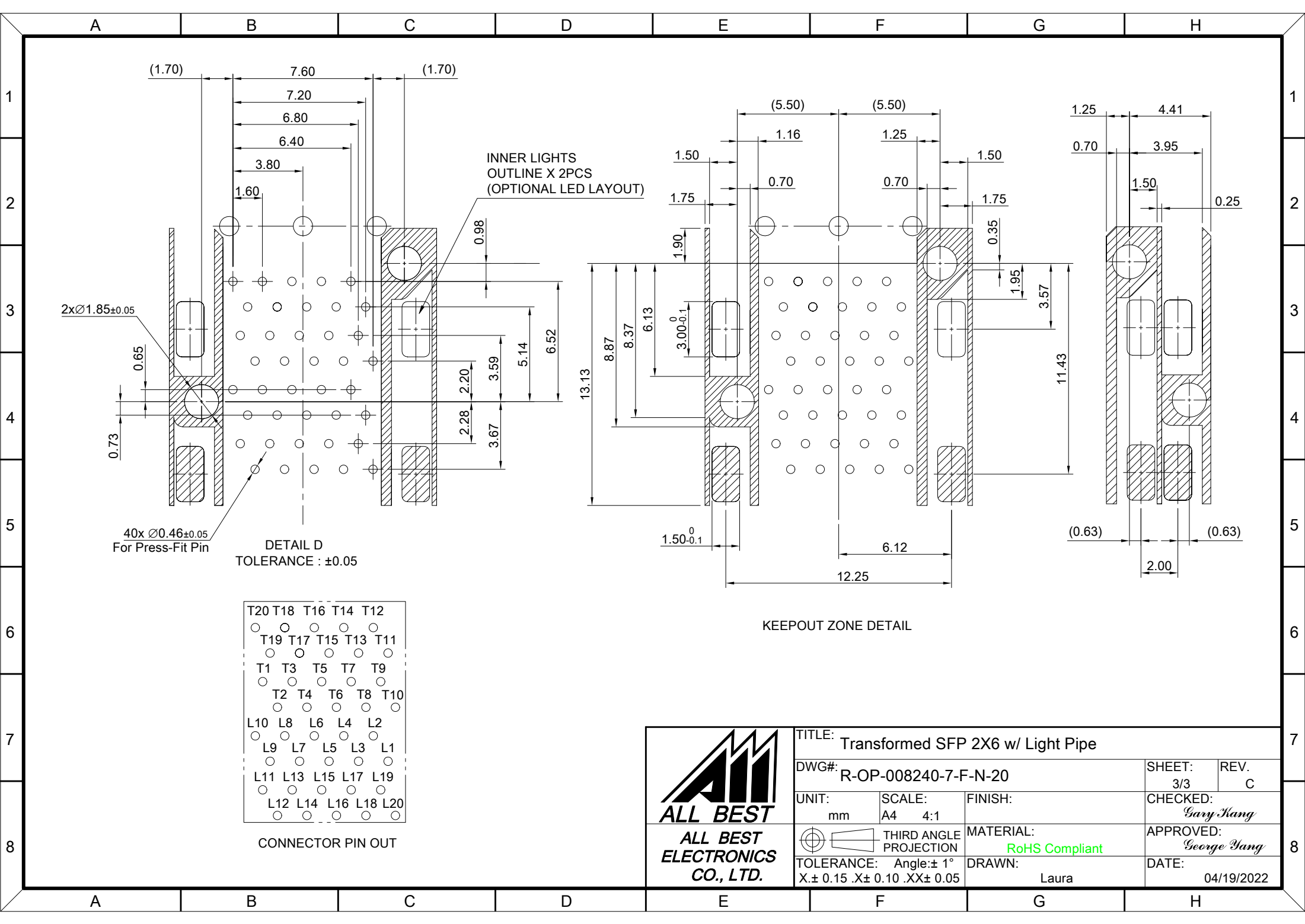
RECOMMENDED BEZEL CUT-OUT SPACING DETAIL
BEZEL THICKNESS 0.8~2.6MM



RECOMMENDED PCB LAYOUT
TOLERANCE: ±0.05
MINIMUM PCB THICKNESS OF 1.57MM



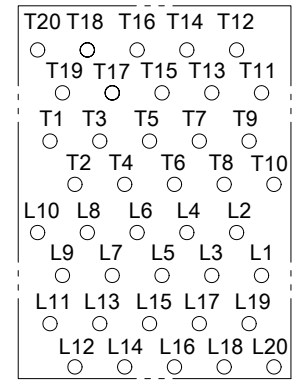
<p>ALL BEST ELECTRONICS CO., LTD.</p>	TITLE: Transformed SFP 2X6 w/ Light Pipe			SHEET: 2/3		REV. C
	DWG#: R-OP-008240-7-F-N-20			CHECKED: Gary Kang		
	UNIT: mm	SCALE: A4 5:6	FINISH:	APPROVED: George Yang		
	TOLERANCE: Angle: ±1° X ± 0.15 .X ± 0.10 .XX ± 0.05		MATERIAL: RoHS Compliant	DRAWN: Laura		DATE: 04/19/2022



2x $\varnothing 1.85 \pm 0.05$

(1.70) 7.60 (1.70)

DETAIL D
TOLERANCE : ± 0.05



CONNECTOR PIN OUT

INNER LIGHTS
OUTLINE X 2PCS
(OPTIONAL LED LAYOUT)

KEEP-OUT ZONE DETAIL



TITLE: Transformed SFP 2X6 w/ Light Pipe			
DWG#: R-OP-008240-7-F-N-20		SHEET: 3/3	REV. C
UNIT: mm	SCALE: A4 4:1	FINISH:	CHECKED: Gary Kang
THIRD ANGLE PROJECTION		MATERIAL: RoHS Compliant	APPROVED: George Yang
TOLERANCE: Angle: $\pm 1^\circ$ X: ± 0.15 .X: ± 0.10 .XX: ± 0.05		DRAWN: Laura	DATE: 04/19/2022