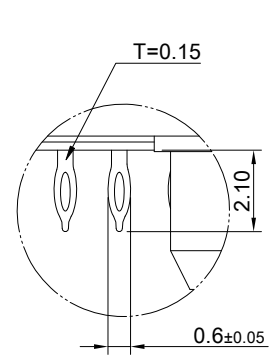
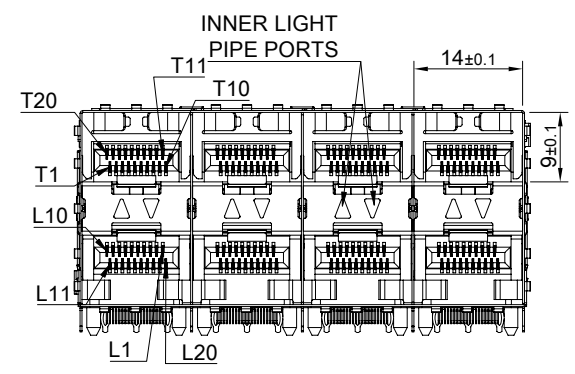
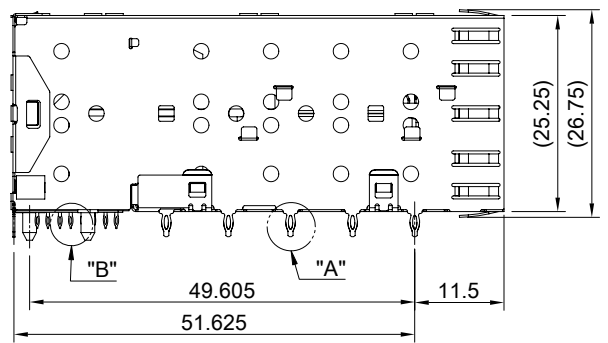
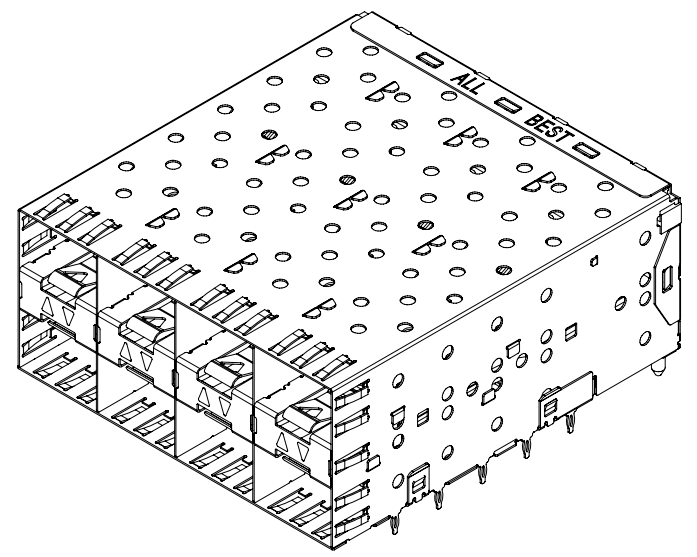


DETAIL A  
SCALE 5:1



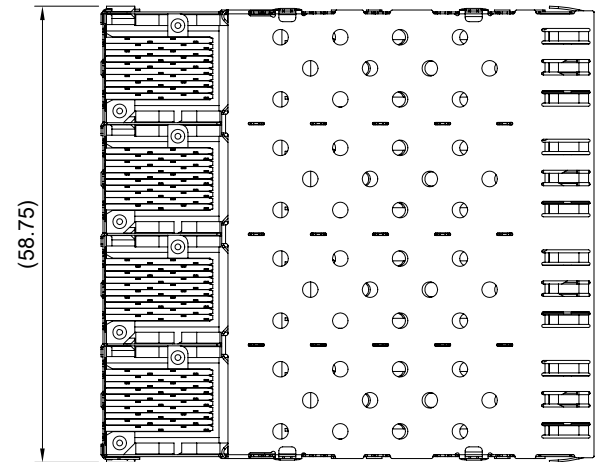
DETAIL B  
SCALE 5:1



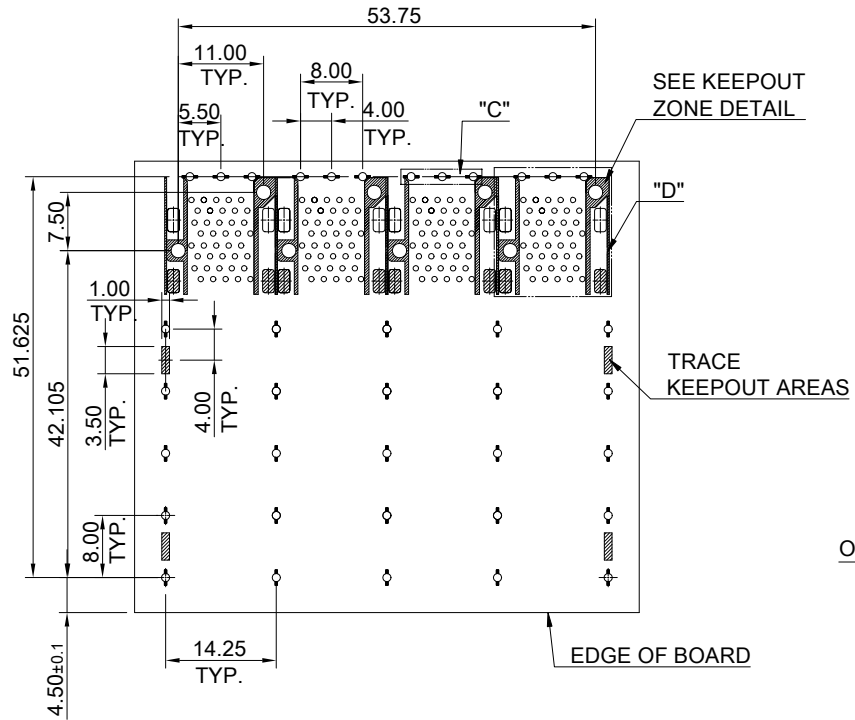
**MATERIAL**  
 CAGE: NICKEL SILVER  
 CONNECTOR: PA9T 94V-0 (BLACK)  
 LCP 94V-0 (DARK GRAY)  
 COPPER ALLOY  
 LIGHT PIPE: PC (CLEAR)

**FINISH**  
 CONTACT: 15μ" MIN. GOLD ON MATING END;  
 30μ" MIN. TIN ON TERMINATION END;  
 ALL UNDERPLATED 50μ" MIN. NICKEL

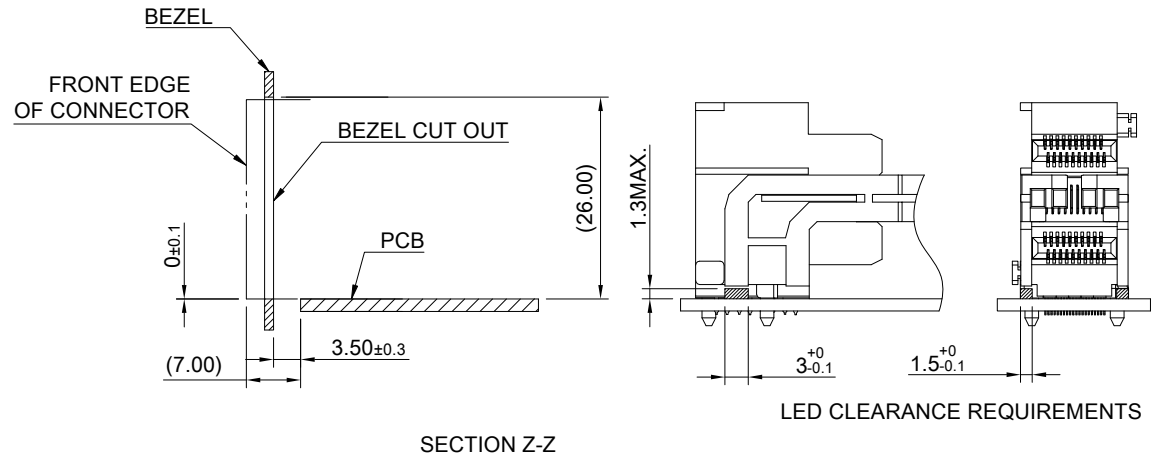
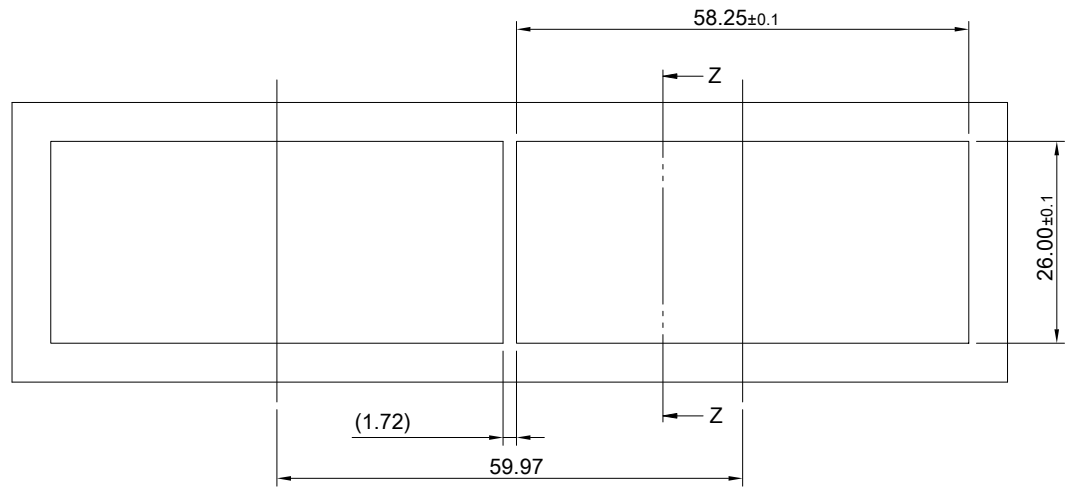
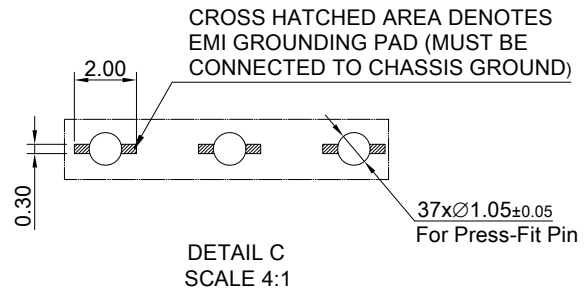
**ELECTRICAL CHARACTERISTICS**  
 CONTACT CURRENT RATING: 0.5 AMPERE  
 VOLTAGE RATING: 30 VAC  
 CONTACT RESISTANCE: 80 mΩ MAX.  
 DIELECTRIC WITHSTANDING VOLTAGE: 300VAC



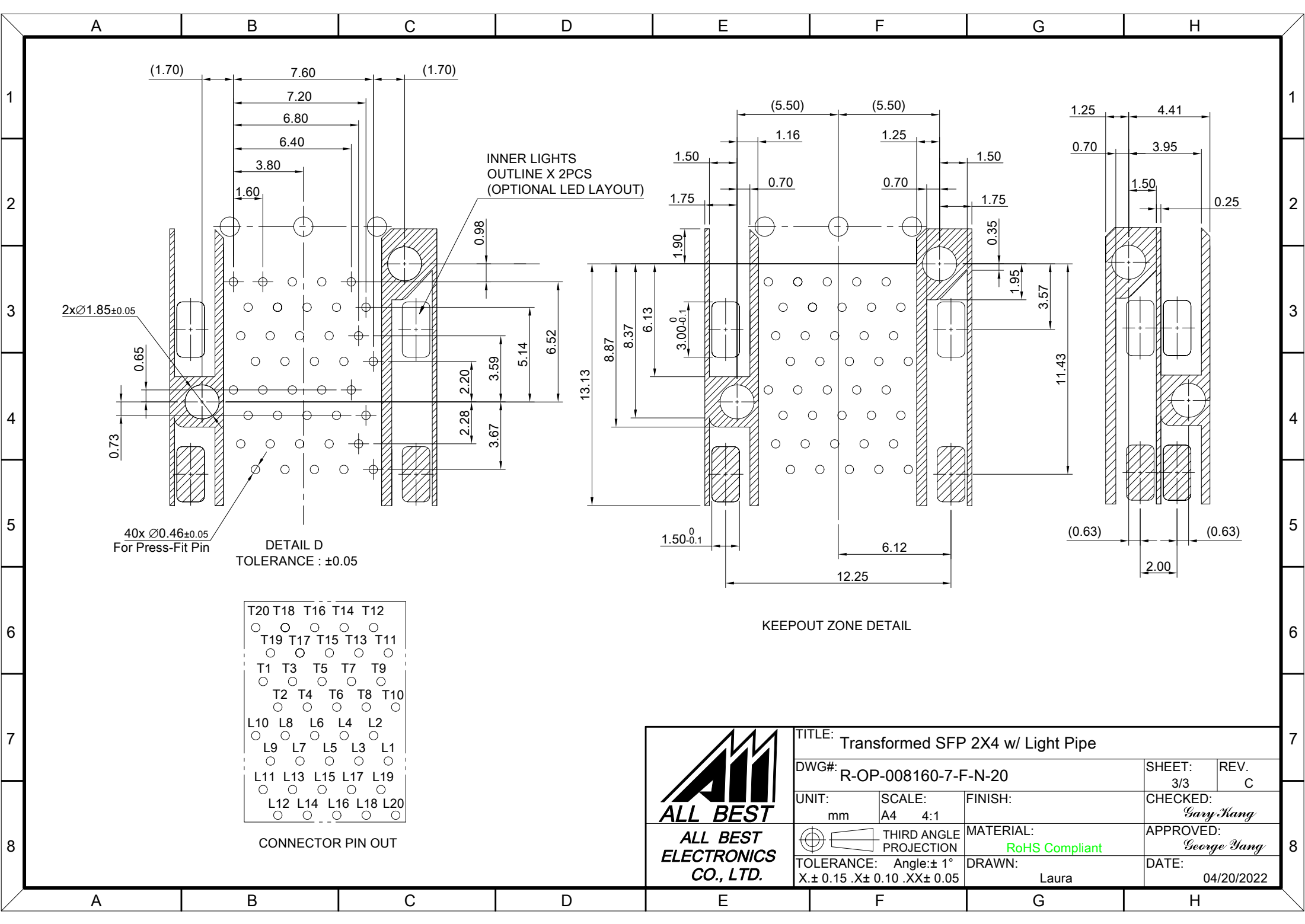
	TITLE: Transformed SFP 2X4 w/ Light Pipe		SHEET: 1/3	REV. C
	DWG#: R-OP-008160-7-F-N-20		CHECKED: Gary Kang	
	UNIT: mm	SCALE: A4 1:1	FINISH: RoHS Compliant	APPROVED: George Yang
	TOLERANCE: Angle: ±1° X ± 0.25 .X ± 0.20 .XX ± 0.15		DRAWN: Laura	DATE: 04/20/2022



RECOMMENDED PCB LAYOUT  
TOLERANCE : ± 0.05  
MINIMUM PCB THICKNESS OF 1.57MM



<p><b>ALL BEST ELECTRONICS CO., LTD.</b></p>	TITLE: Transformed SFP 2X4 w/ Light Pipe		SHEET: 2/3	REV. C
	DWG#: R-OP-008160-7-F-N-20		CHECKED: Gary Kang	APPROVED: George Yang
	UNIT: mm	SCALE: A4 1:1	MATERIAL: RoHS Compliant	DATE: 04/20/2022
	TOLERANCE: X±0.15 .X±0.10 .XX±0.05		DRAWN: Laura	

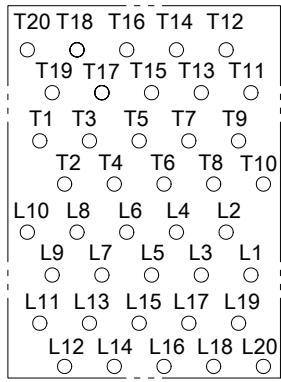


2x $\varnothing 1.85 \pm 0.05$

(1.70) 7.60 (1.70)

DETAIL D  
TOLERANCE :  $\pm 0.05$

40x  $\varnothing 0.46 \pm 0.05$   
For Press-Fit Pin



CONNECTOR PIN OUT

INNER LIGHTS  
OUTLINE X 2PCS  
(OPTIONAL LED LAYOUT)

KEEPOUT ZONE DETAIL



TITLE: Transformed SFP 2X4 w/ Light Pipe			
DWG#: R-OP-008160-7-F-N-20		SHEET: 3/3	REV. C
UNIT: mm	SCALE: A4 4:1	FINISH:	
THIRD ANGLE PROJECTION		MATERIAL: RoHS Compliant	
TOLERANCE: Angle: $\pm 1^\circ$ X: $\pm 0.15$ .X: $\pm 0.10$ .XX: $\pm 0.05$		DRAWN: Laura	DATE: 04/20/2022
		CHECKED: Gary Kang	
		APPROVED: George Yang	