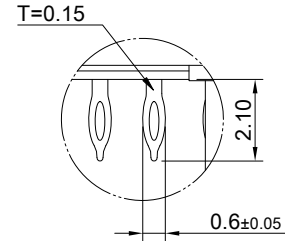
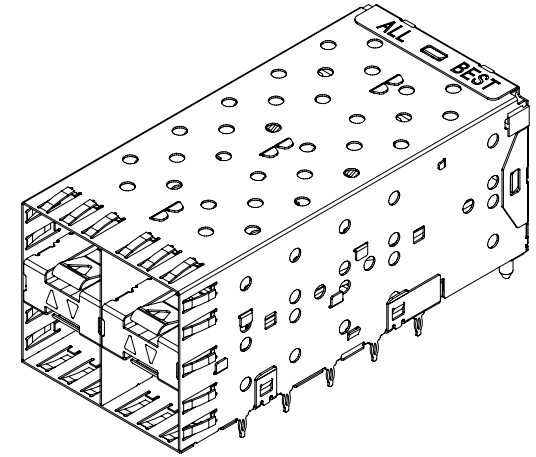


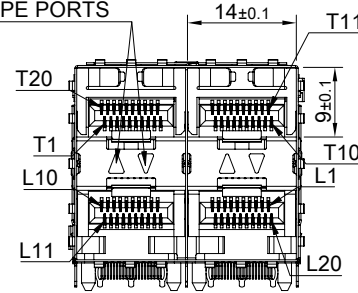
DETAIL A
SCALE 5:1



DETAIL B
SCALE 5:1



INNER LIGHT
PIPE PORTS



MATERIAL

CAGE: NICKEL SILVER
CONNECTOR: PA9T 94V-0 (BLACK)
LCP 94V-0 (DARK GRAY)
COPPER ALLOY
LIGHT PIPE: PC (CLEAR)

FINISH

CONTACT: 15µ" MIN. GOLD ON MATING END;
30µ" MIN. MATTE TIN ON TERMINATION END;
ALL UNDERPLATED 50µ" MIN. NICKEL

ELECTRICAL CHARACTERISTICS

CONTACT CURRENT RATING: 0.5 AMPERE
VOLTAGE RATING: 30 VAC
CONTACT RESISTANCE: 80 mΩ MAX.
DIELECTRIC WITHSTANDING VOLTAGE: 300VAC



TITLE: Transformed SFP 2X2 w/ Light Pipe

DWG#: R-OP-008080-7-F-N-20

UNIT: mm SCALE: A4 1:1

THIRD ANGLE PROJECTION

TOLERANCE: Angle: ± 1°
X.± 0.25 .X± 0.20 .XX± 0.15

FINISH: MATERIAL: RoHS Compliant

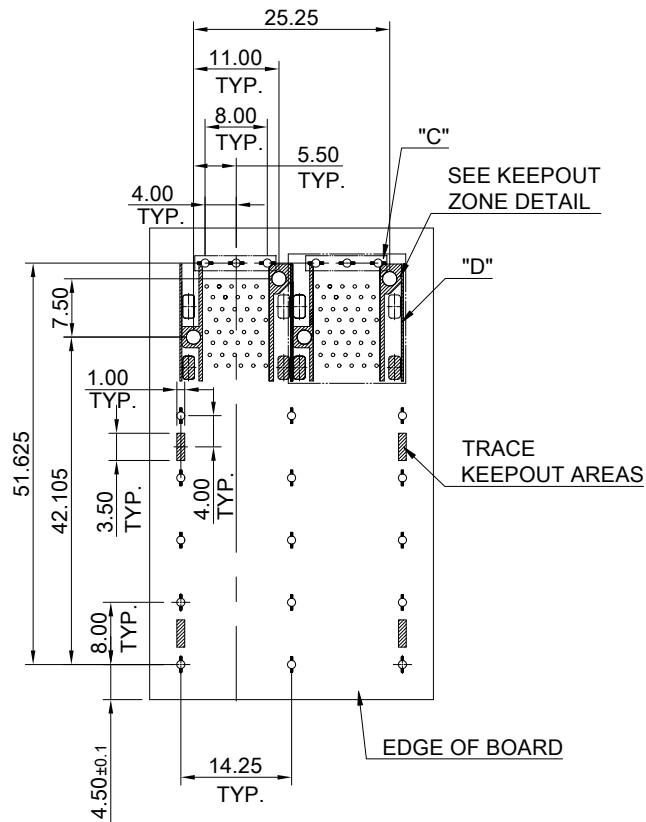
DRAWN: Howard

SHEET: 1/3 REV. C

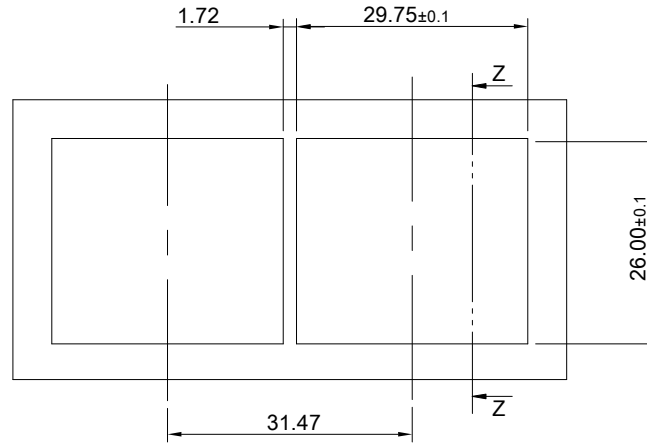
CHECKED: Gary Yang

APPROVED: George Yang

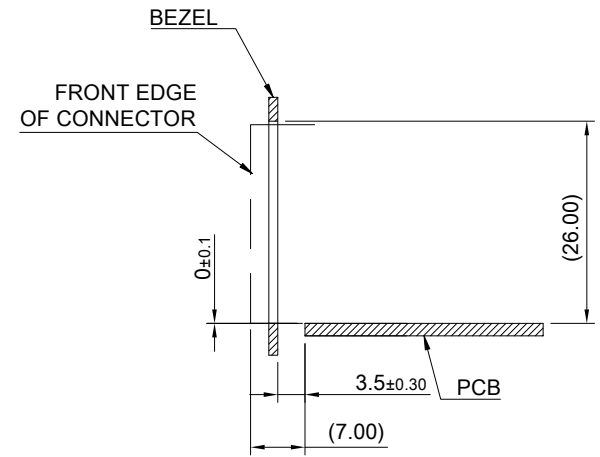
DATE: 10/21/2021



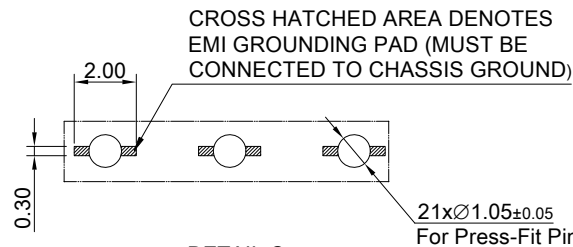
RECOMMENDED PCB LAYOUT
TOLERANCE : ±0.05
MINIMUM PCB THICKNESS OF 1.57MM



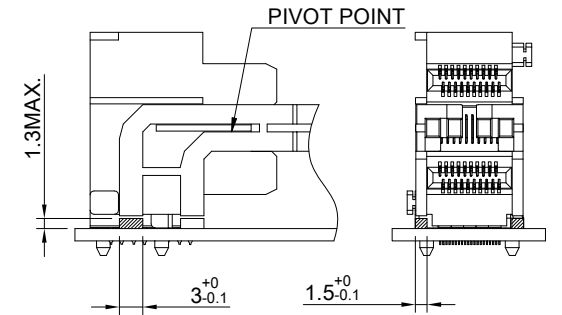
RECOMMENDED BEZEL CUT-OUT SPACING DETAIL
BEZEL THICKNESS 0.8~2.6MM



SECTION Z-Z



DETAIL C
SCALE 4:1



LED CLEARANCE REQUIREMENTS

 <p>ALL BEST ELECTRONICS CO., LTD.</p>	TITLE: Transformed SFP 2X2 w/ Light Pipe		SHEET: 2/3	REV. C	
	DWG#: R-OP-008080-7-F-N-20		CHECKED: Gary Heng		
	UNIT: mm	SCALE: A4 1:1	MATERIAL: RoHS Compliant	APPROVED: George Yang	
	TOLERANCE: Angle: ± 1° X.± 0.15 .X± 0.10 .XX± 0.05		DRAWN: Howard	DATE: 10/21/2021	

