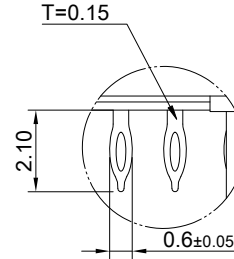
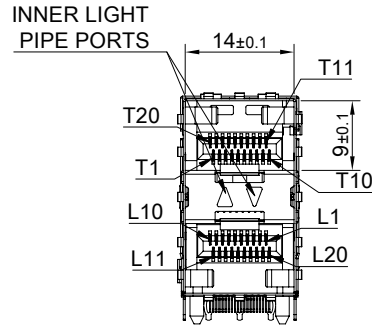
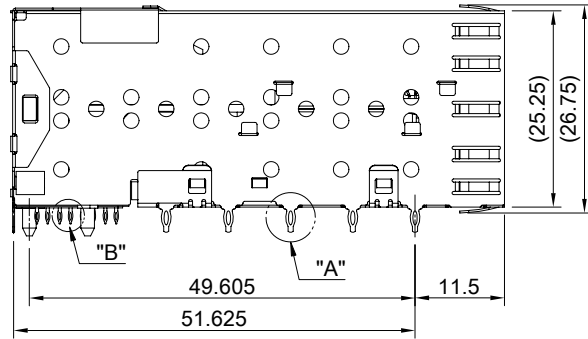
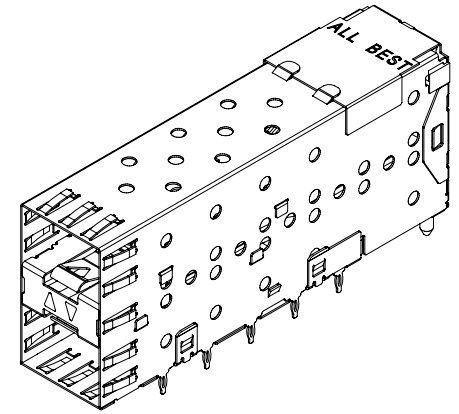


DETAIL A  
SCALE: 5:1



DETAIL B  
SCALE: 5:1

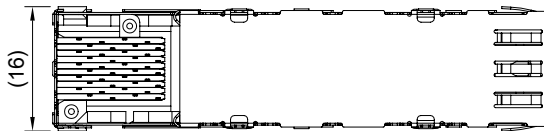


INNER LIGHT  
PIPE PORTS

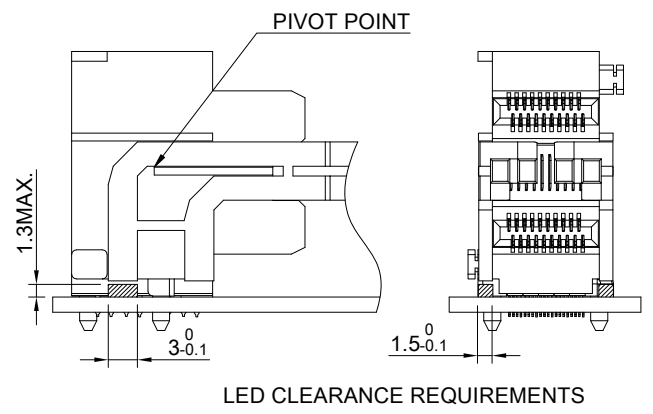
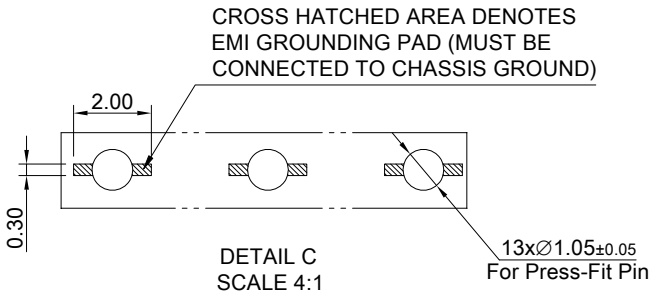
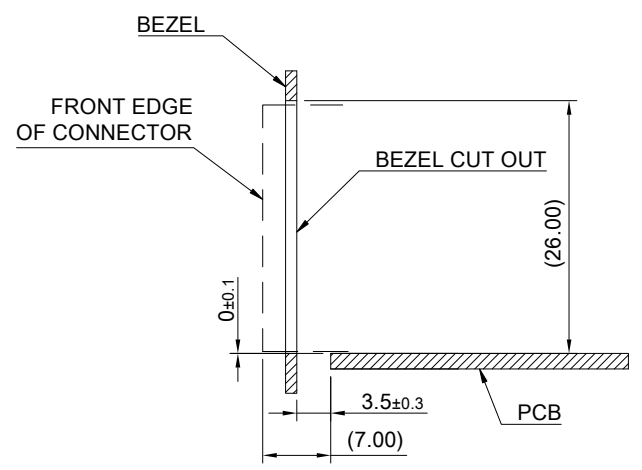
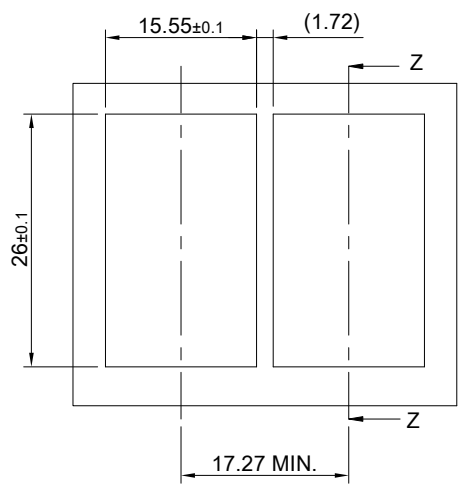
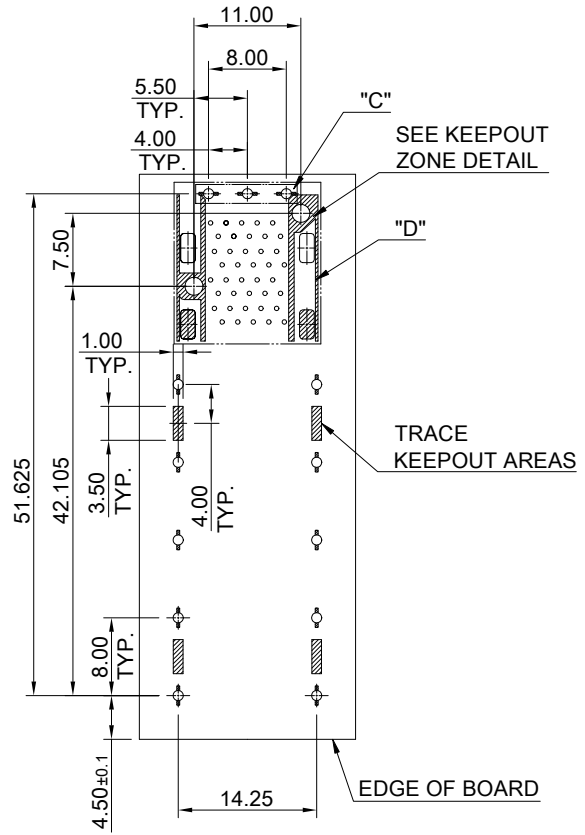
MATERIAL  
CAGE: NICKEL SILVER  
LIGHT PIPE: PC (CLEAR)  
CONNECTOR: PA9T 94V-0 (BLACK)  
LCP 94V-0 (DARK GRAY)  
COPPER ALLOY

FINISH  
CONTACT: 15μ" MIN. GOLD ON MATING END;  
30μ" MIN. MATTE TIN ON TERMINATION END;  
ALL UNDERPLATED 50μ" MIN. NICKEL

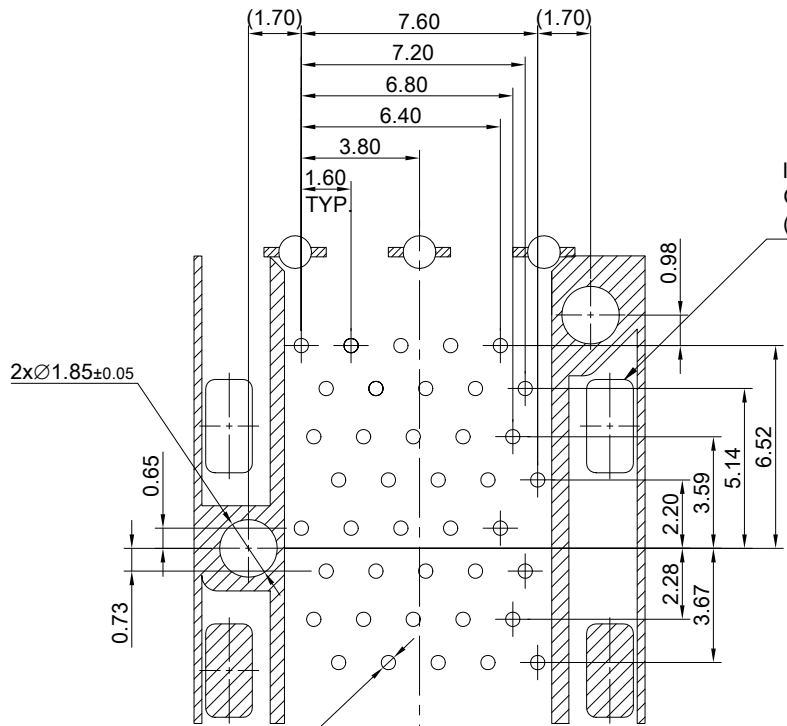
ELECTRICAL CHARACTERISTICS  
CONTACT CURRENT RATING: 0.5 AMPERE  
VOLTAGE RATING: 30 VAC  
CONTACT RESISTANCE: 80 mΩ MAX.  
DIELECTRIC WITHSTANDING VOLTAGE: 300VAC



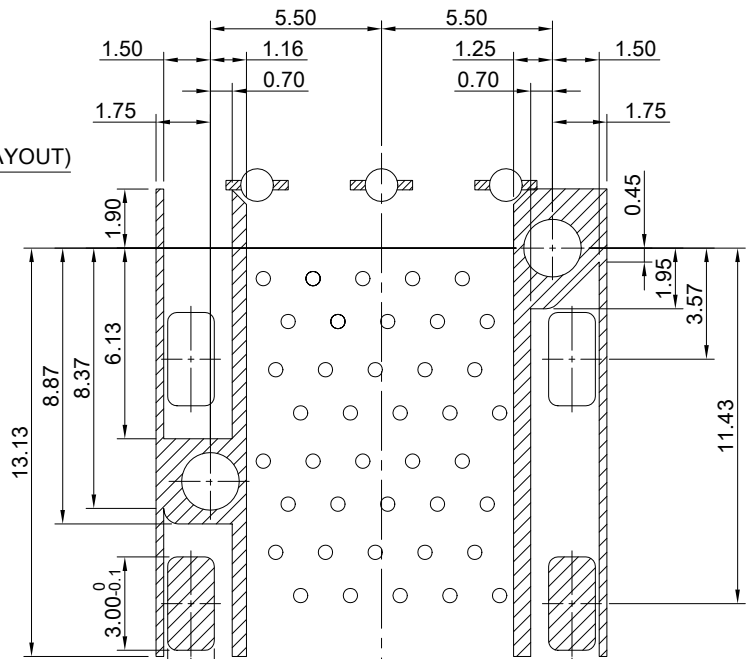
	TITLE: Transformed SFP 2X1 w/ Light Pipe		
	DWG#: R-DP-008040-7-F-N-20		SHEET: 1/3
	UNIT: mm	SCALE: A4 1:1	REV. D
	THIRD ANGLE PROJECTION		CHECKED: Gary Yang
TOLERANCE: Angle: ± 1°		MATERIAL: RoHS Compliant	APPROVED: George Yang
X.± 0.25 .X± 0.20 .XX± 0.15		DRAWN: Laura	DATE: 02/14/2022



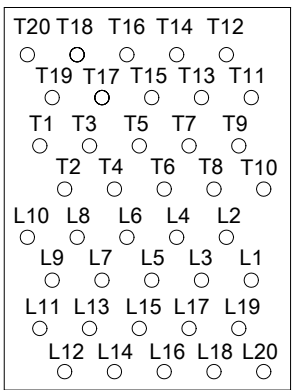
	TITLE: Transformed SFP 2X1 w/ Light Pipe		
	DWG#: R-DP-008040-7-F-N-20		SHEET: 2/3
	UNIT: mm	SCALE: A4 5:4	REV. D
	THIRD ANGLE PROJECTION		CHECKED: Gary Heng
TOLERANCE: Angle: $\pm 1^\circ$		MATERIAL: RoHS Compliant	APPROVED: George Yang
X $\pm 0.15$ .X $\pm 0.10$ .XX $\pm 0.05$		DRAWN: Laura	DATE: 02/14/2022



INNER LIGHTS  
OUTLINE X 2PCS  
(OPTIONAL LED LAYOUT)



40xØ0.46±0.05  
For Press-Fit Pin  
DETAIL D  
TOLERANCE: ±0.05



CONNECTOR PIN OUT



TITLE: Transformed SFP 2X1 w/ Light Pipe			
DWG#: R-DP-008040-7-F-N-20		SHEET: 3/3	REV. D
UNIT: mm	SCALE: A4 4:1	FINISH:	CHECKED: Gary Yang
THIRD ANGLE PROJECTION		MATERIAL: RoHS Compliant	APPROVED: George Yang
TOLERANCE: Angle: ± 1° X ± 0.15 .X ± 0.10 .XX ± 0.05		DRAWN: Laura	DATE: 02/14/2022