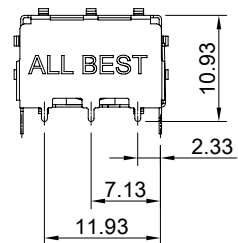
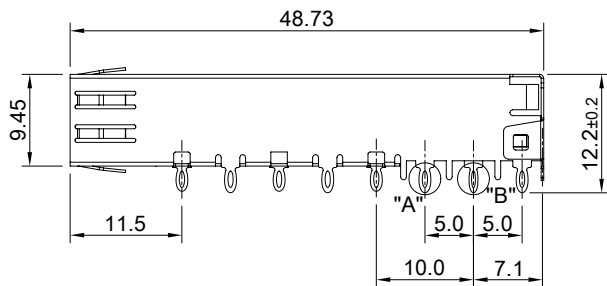
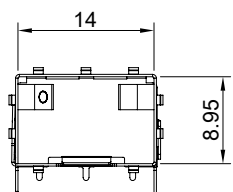
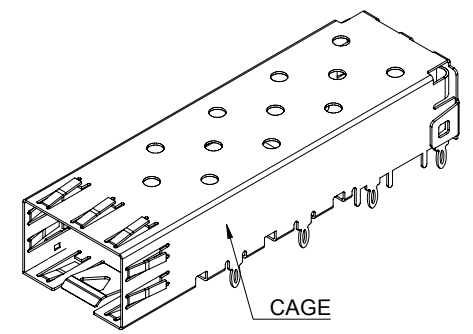
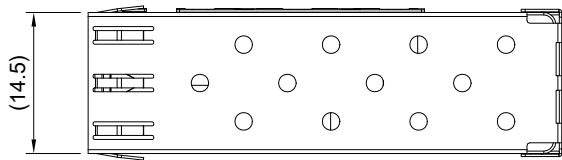
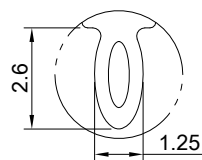
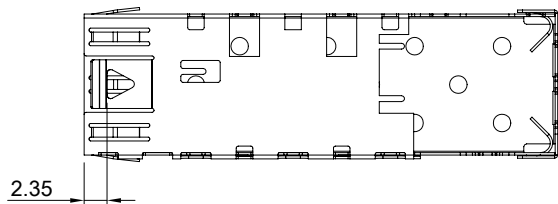


A B C D E F G H

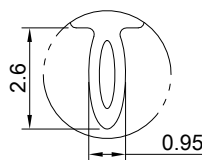
1  
2  
3  
4  
5  
6  
7  
8



MATERIAL  
CAGE: NICKEL SILVER



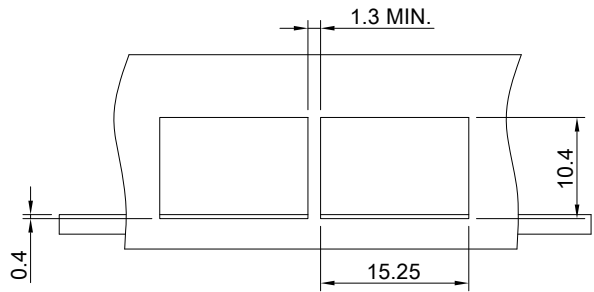
DETAIL A  
SCALE 4:1



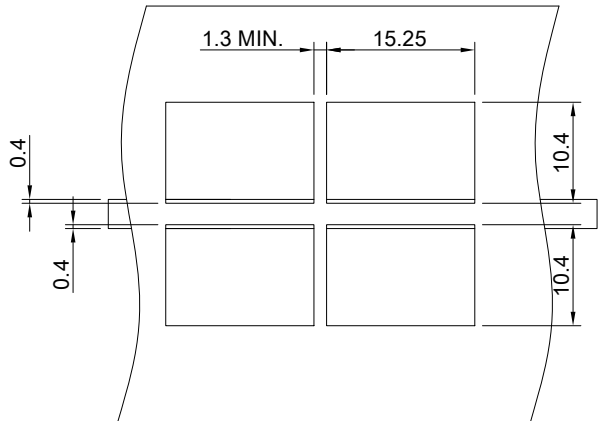
DETAIL B  
SCALE 4:1

<p><b>ALL BEST</b> ELECTRONICS CO., LTD.</p>	TITLE: SFP Cage one-Piece Press Fit Pins Raised Upper Tabs			
	DWG#: R-SH-008020-18		SHEET: 1/4	REV. B
	UNIT: mm	SCALE: A4 5:4	FINISH:	CHECKED: Gary Kang
	THIRD ANGLE PROJECTION TOLERANCE: Angle: ± 1° X: ± 0.25 .X: ± 0.20 .XX: ± 0.15		MATERIAL: RoHS Compliant	APPROVED: George Yang
DRAWN: Ting			DATE: 08/16/2022	

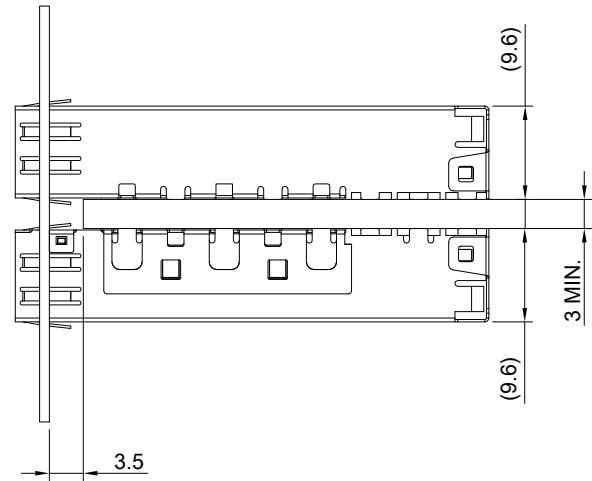
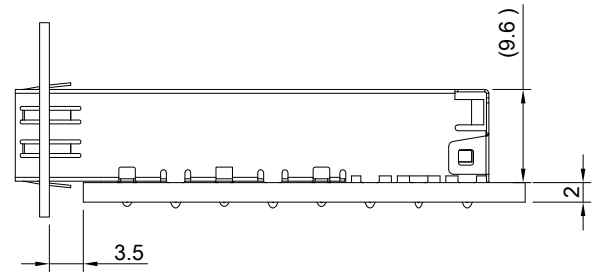
A B C D E F G H




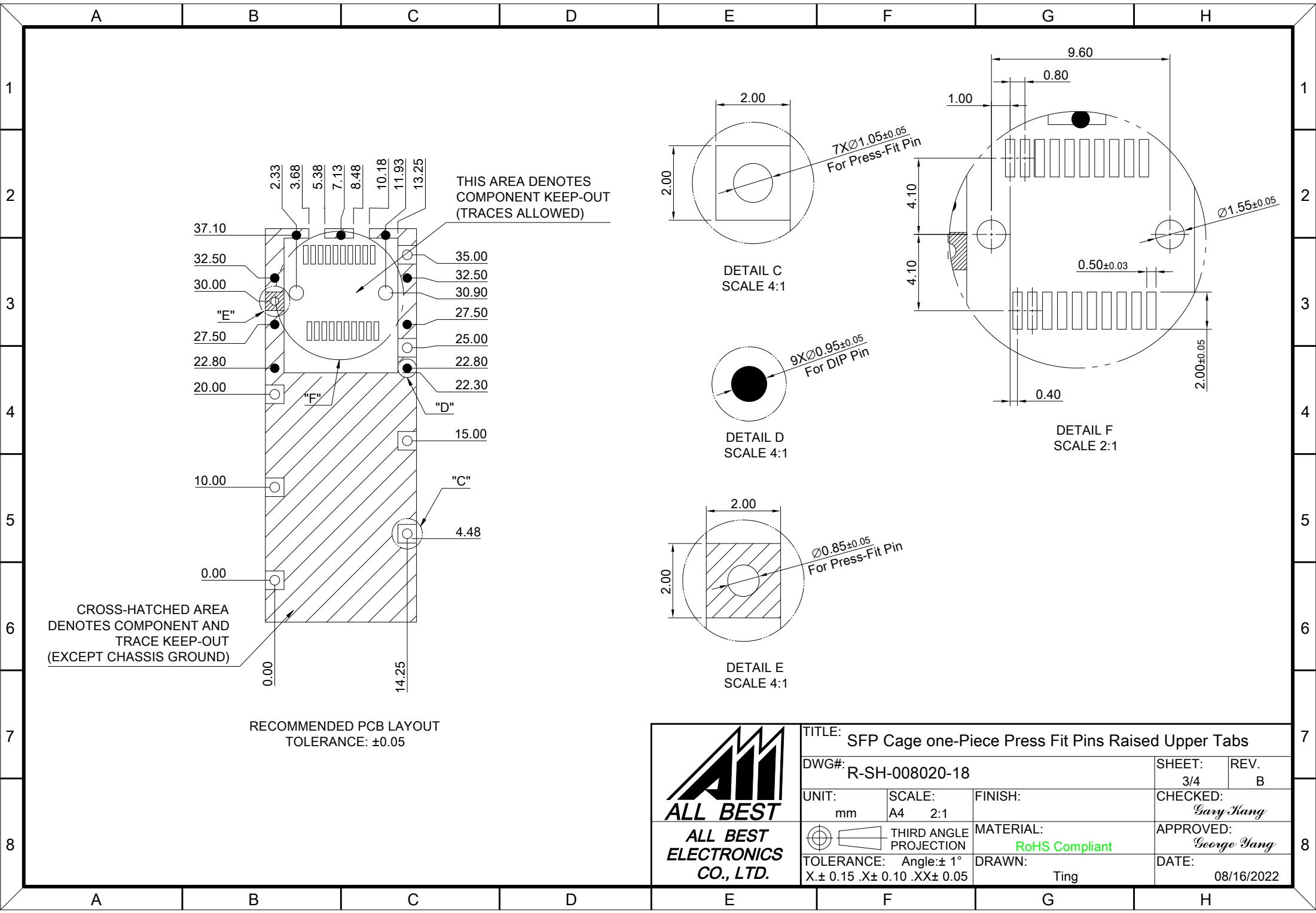
RECOMMENDED BEZEL CUT-OUT



RECOMMENDED BEZEL CUT-OUT FOR BELLY TO BELLY MOUNTING



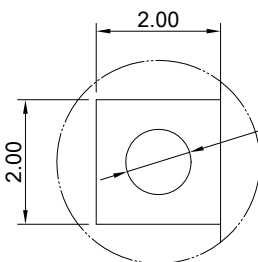
 <b>ALL BEST</b> <b>ELECTRONICS</b> <b>CO., LTD.</b>	<b>TITLE:</b> SFP Cage one-Piece Press Fit Pins Raised Upper Tabs			<b>SHEET:</b> 2/4		<b>REV.:</b> B	
	<b>DWG#:</b> R-SH-008020-18			<b>CHECKED:</b> Gary Kang		<b>APPROVED:</b> George Yang	
	<b>UNIT:</b> mm	<b>SCALE:</b> A4 5:4	<b>FINISH:</b>	<b>MATERIAL:</b> RoHS Compliant		<b>DATE:</b> 08/16/2022	
	<b>TOLERANCE:</b> Angle: ± 1° X ± 0.25 .X ± 0.20 .XX ± 0.15		<b>THIRD ANGLE PROJECTION</b>	<b>DRAWN:</b> Ting			



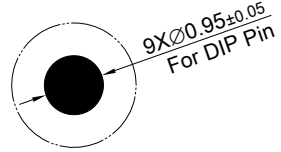
CROSS-HATCHED AREA  
DENOTES COMPONENT AND  
TRACE KEEP-OUT  
(EXCEPT CHASSIS GROUND)

THIS AREA DENOTES  
COMPONENT KEEP-OUT  
(TRACES ALLOWED)

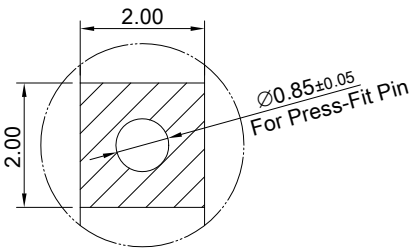
RECOMMENDED PCB LAYOUT  
TOLERANCE: ±0.05



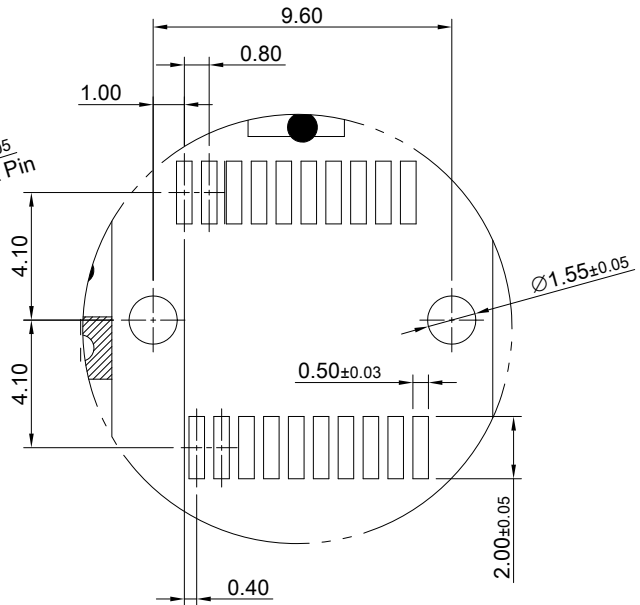
DETAIL C  
SCALE 4:1



DETAIL D  
SCALE 4:1

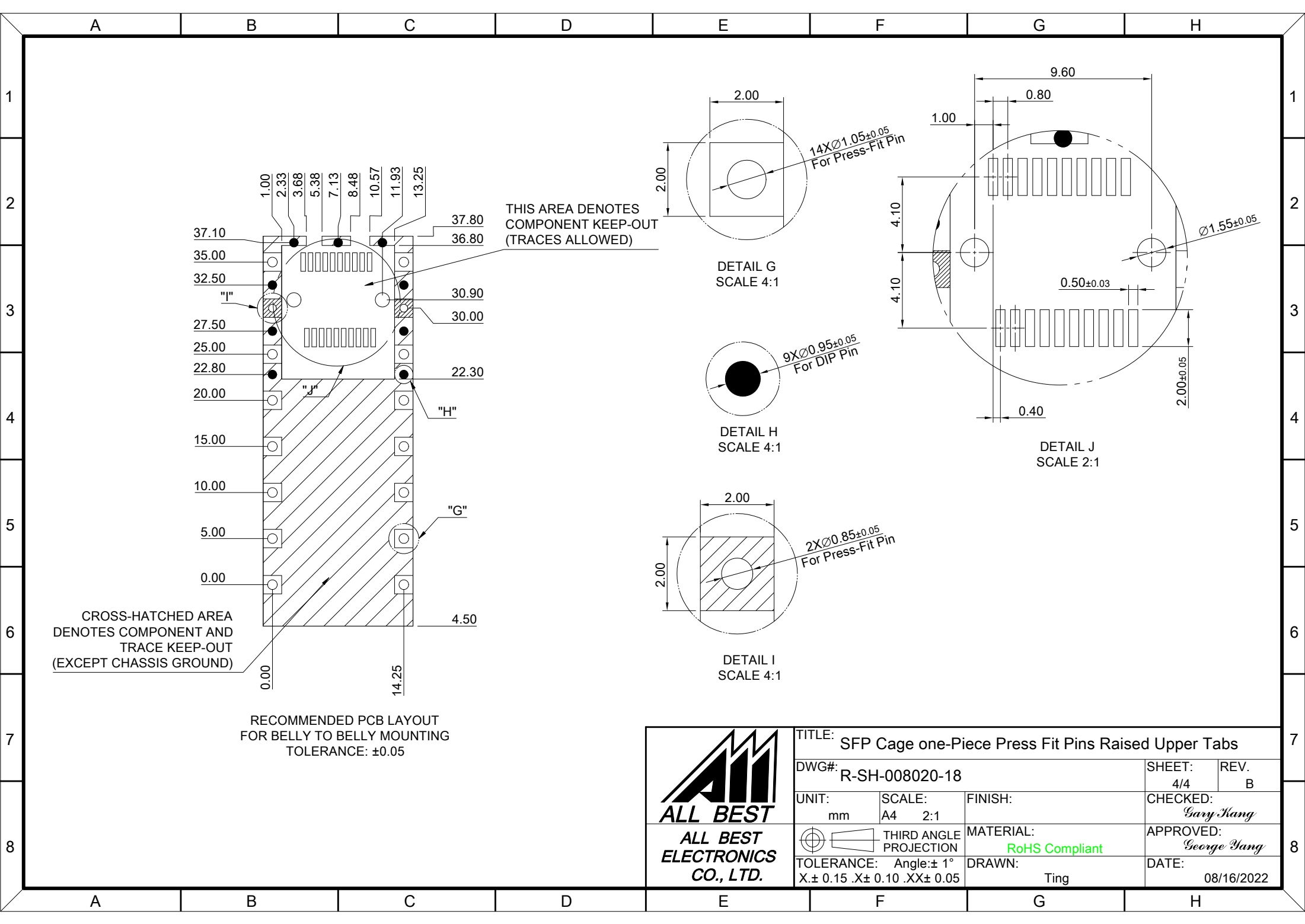


DETAIL E  
SCALE 4:1



DETAIL F  
SCALE 2:1

	TITLE: SFP Cage one-Piece Press Fit Pins Raised Upper Tabs			SHEET: 3/4		REV. B	
	DWG#: R-SH-008020-18			CHECKED: Gary Kang		APPROVED: George Yang	
	UNIT: mm	SCALE: A4 2:1	FINISH:	MATERIAL: RoHS Compliant		DATE: 08/16/2022	
	TOLERANCE: X± 0.15 .X± 0.10 .XX± 0.05		THIRD ANGLE PROJECTION	DRAWN: Ting			



CROSS-HATCHED AREA  
DENOTES COMPONENT AND  
TRACE KEEP-OUT  
(EXCEPT CHASSIS GROUND)

THIS AREA DENOTES  
COMPONENT KEEP-OUT  
(TRACES ALLOWED)



RECOMMENDED PCB LAYOUT  
FOR BELLY TO BELLY MOUNTING  
TOLERANCE: ±0.05

DETAIL G  
SCALE 4:1

DETAIL H  
SCALE 4:1

DETAIL I  
SCALE 4:1

DETAIL J  
SCALE 2:1

 <b>ALL BEST</b> ELECTRONICS CO., LTD.	TITLE: SFP Cage one-Piece Press Fit Pins Raised Upper Tabs			SHEET: 4/4		REV. B
	DWG#: R-SH-008020-18			CHECKED: Gary Kang		
	UNIT: mm	SCALE: A4 2:1	FINISH:	APPROVED: George Yang		
	 THIRD ANGLE PROJECTION		MATERIAL: RoHS Compliant	DATE: 08/16/2022		
	TOLERANCE: X±0.15 .X±0.10 .XX±0.05		DRAWN: Ting			