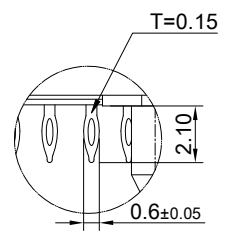
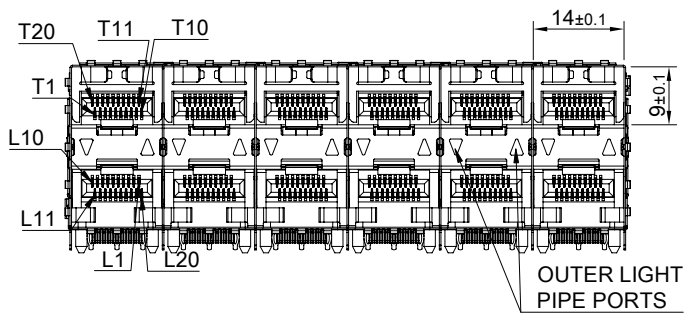
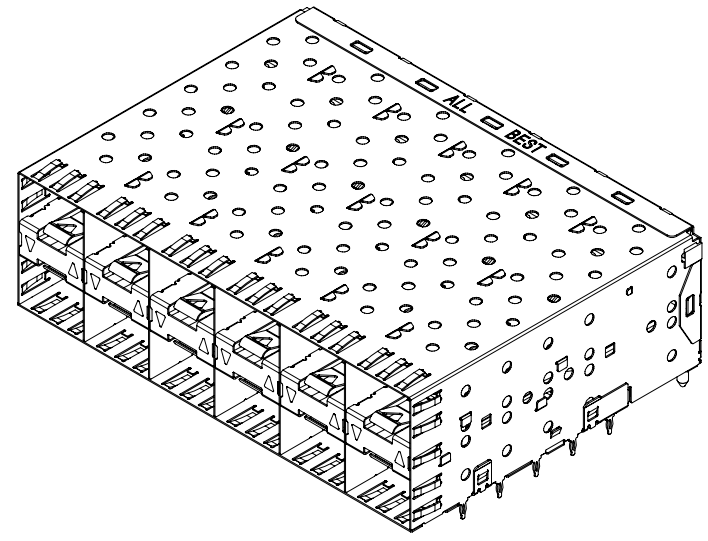


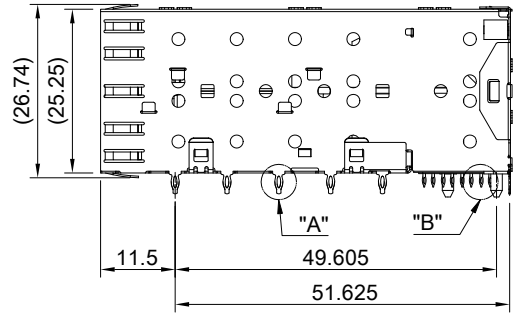
DETAIL A  
SCALE 5 : 1



DETAIL B  
SCALE 5 : 1



OUTER LIGHT  
PIPE PORTS

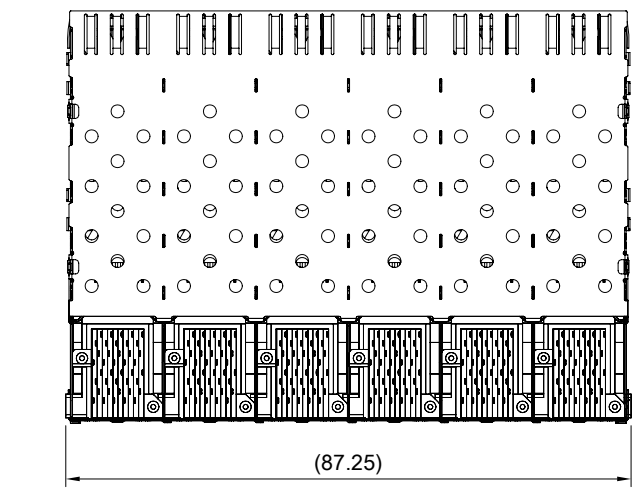


**MATERIAL**  
 CAGE: NICKEL SILVER  
 CONNECTOR: PA9T 94V-0 (BLACK)  
 LCP 94V-0 (DARK GRAY)  
 COPPER ALLOY

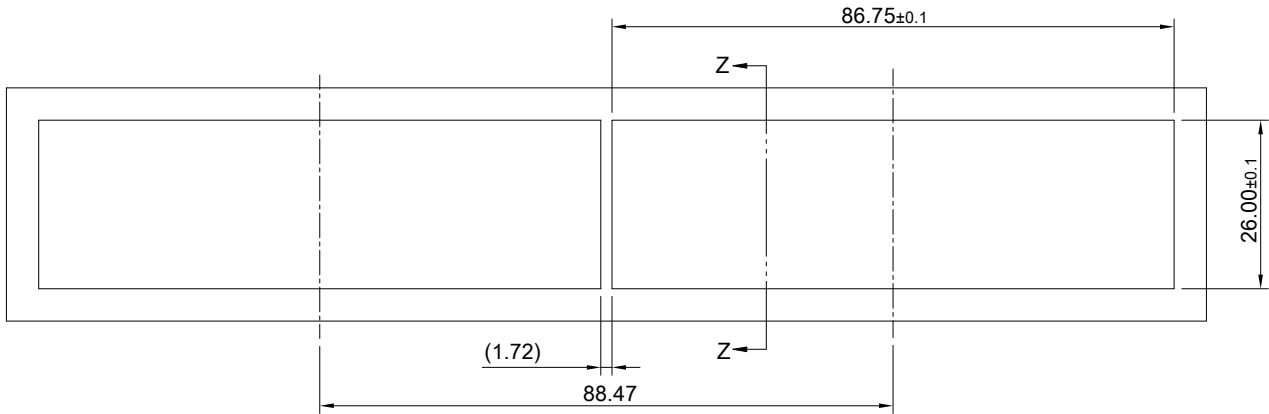
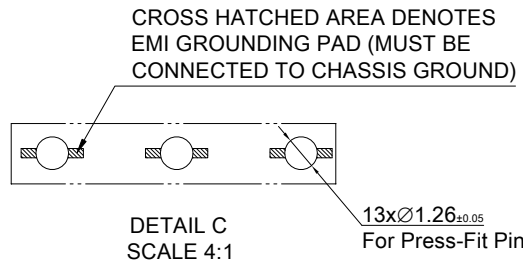
**LIGHT PIPE: PC**

**FINISH**  
 CONTACT: 15µ" MIN. GOLD ON MATING END;  
 30µ" MIN. TIN ON TERMINATION END;  
 ALL UNDERPLATED 50µ" MIN. NICKEL

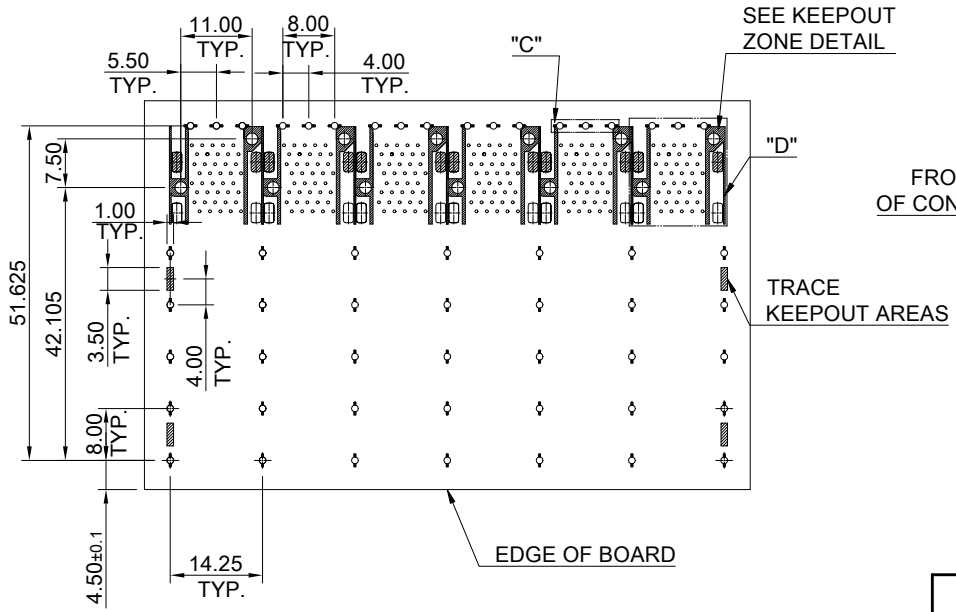
**ELECTRICAL CHARACTERISTICS**  
 CONTACT CURRENT RATING: 0.5 AMPERE  
 VOLTAGE RATING: 30 VAC  
 CONTACT RESISTANCE: 80 mΩ MAX.  
 DIELECTRIC WITHSTANDING VOLTAGE: 300VAC



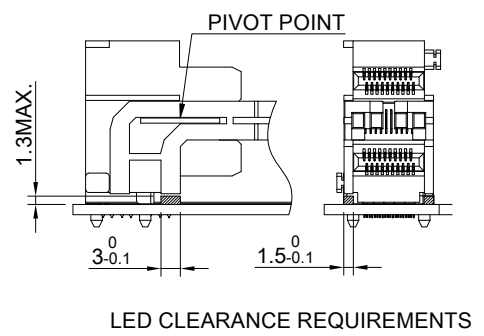
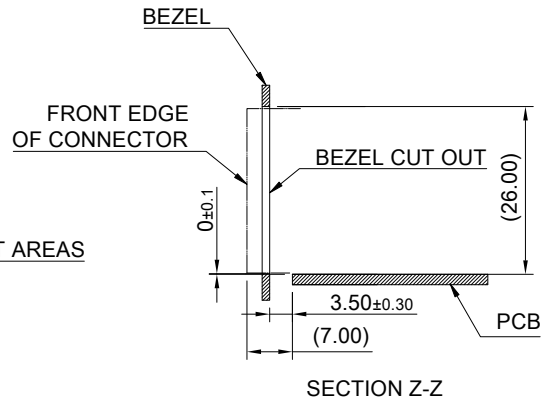
	TITLE: Transformed SFP 2X6 w/ Light Pipe			SHEET: 1/3		REV. C	
	DWG#: R-OP-008240-7-F-N-19			CHECKED: Gary Kang		APPROVED: George Yang	
	UNIT: mm	SCALE: A4 5:6	FINISH:	MATERIAL: RoHS Compliant		DATE: 04/19/2022	
	TOLERANCE: Angle: ± 1° X: ± 0.25 .X: ± 0.20 .XX: ± 0.15		THIRD ANGLE PROJECTION	DRAWN: Laura			



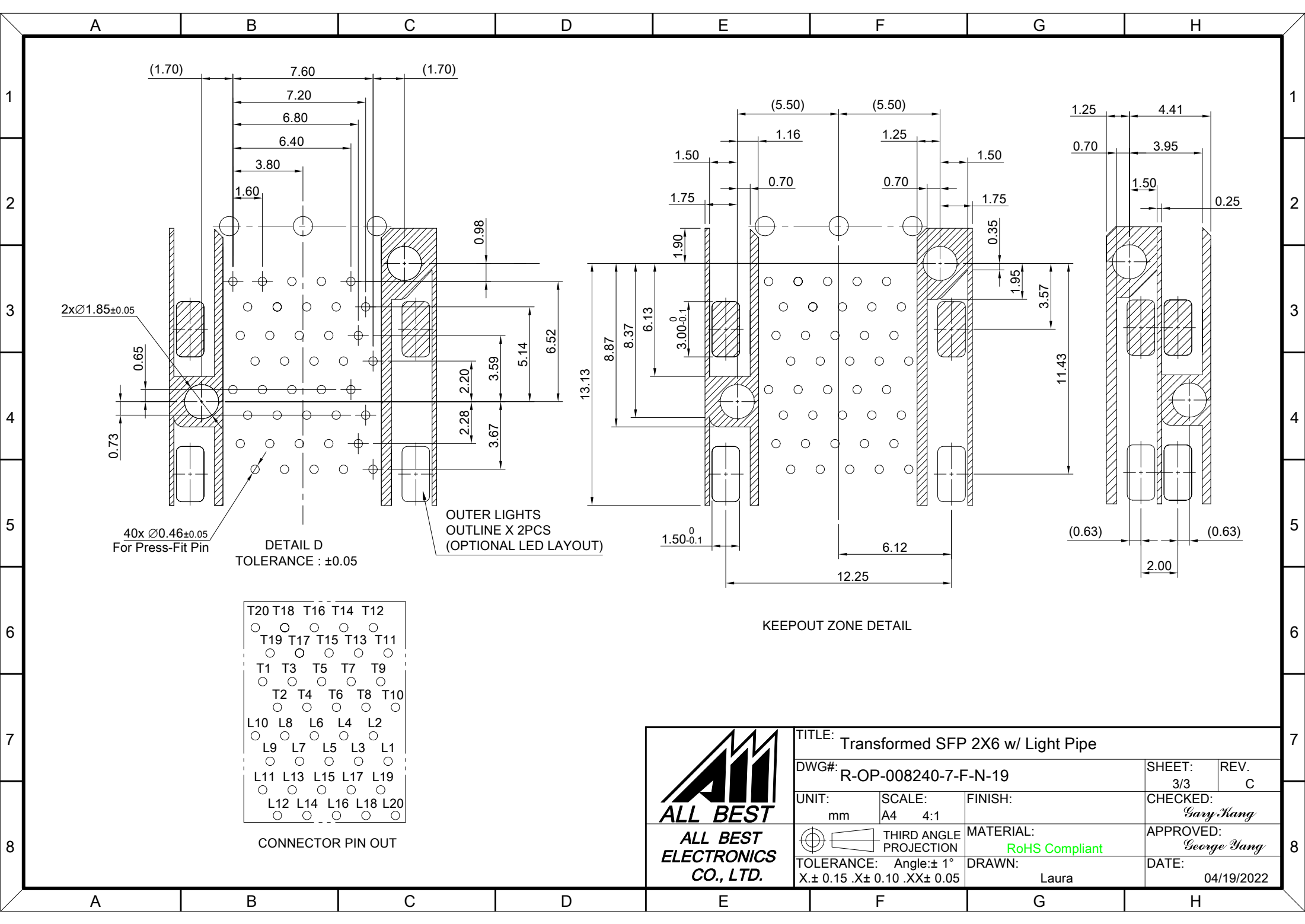
RECOMMENDED BEZEL CUT-OUT SPACING DETAIL  
BEZEL THICKNESS 0.8~2.6MM



RECOMMENDED PCB LAYOUT  
TOLERANCE: ±0.05  
MINIMUM PCB THICKNESS OF 1.57MM



<p><b>ALL BEST</b> ELECTRONICS CO., LTD.</p>	TITLE: Transformed SFP 2X6 w/ Light Pipe		SHEET: 2/3	REV. C
	DWG#: R-OP-008240-7-F-N-19		CHECKED: Gary Yang	
	UNIT: mm	SCALE: A4 5:6	MATERIAL: RoHS Compliant	APPROVED: George Yang
	TOLERANCE: Angle: ±1° X: ±0.15 .X: ±0.10 .XX: ±0.05		DRAWN: Laura	DATE: 04/19/2022



<b>TITLE:</b> Transformed SFP 2X6 w/ Light Pipe			
<b>DWG#:</b> R-OP-008240-7-F-N-19		<b>SHEET:</b> 3/3	<b>REV.:</b> C
<b>UNIT:</b> mm	<b>SCALE:</b> A4 4:1	<b>FINISH:</b>	<b>CHECKED:</b> Gary Kang
<b>THIRD ANGLE PROJECTION</b>		<b>MATERIAL:</b> RoHS Compliant	<b>APPROVED:</b> George Yang
<b>TOLERANCE:</b> Angle: $\pm 1^\circ$ X: $\pm 0.15$ .X: $\pm 0.10$ .XX: $\pm 0.05$		<b>DRAWN:</b> Laura	<b>DATE:</b> 04/19/2022