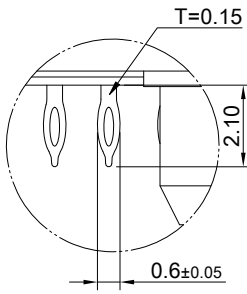
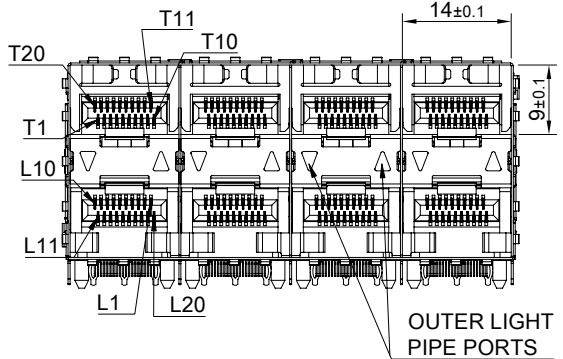
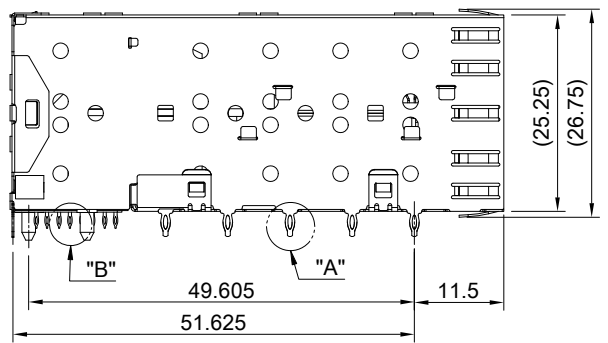
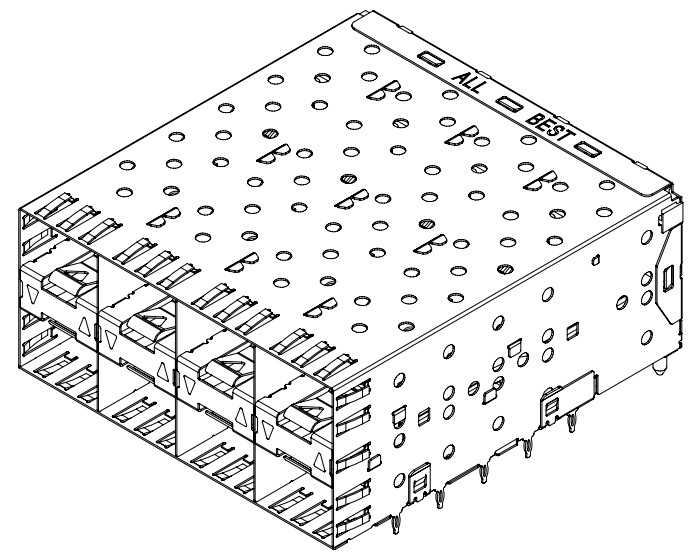


DETAIL A
SCALE 5:1



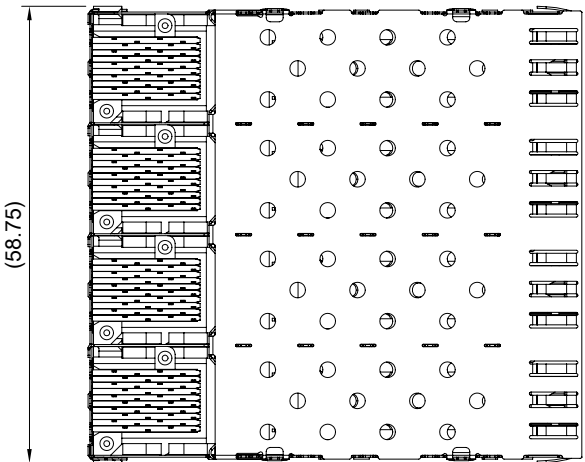
DETAIL B
SCALE 5:1



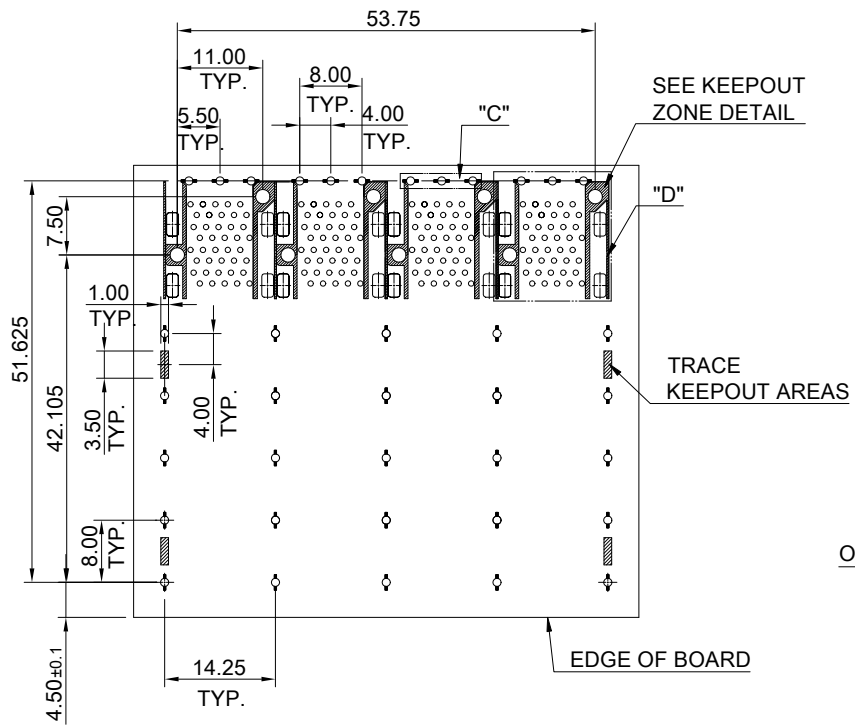
MATERIAL
 CAGE: NICKEL SILVER
 CONNECTOR: PA9T 94V-0 (BLACK)
 LCP 94V-0 (DARK GRAY)
 COPPER ALLOY
 LIGHT PIPE: PC (CLEAR)

FINISH
 CONTACT: 15μ" MIN. GOLD ON MATING END;
 30μ" MIN. TIN ON TERMINATION END;
 ALL UNDERPLATED 50μ" MIN. NICKEL

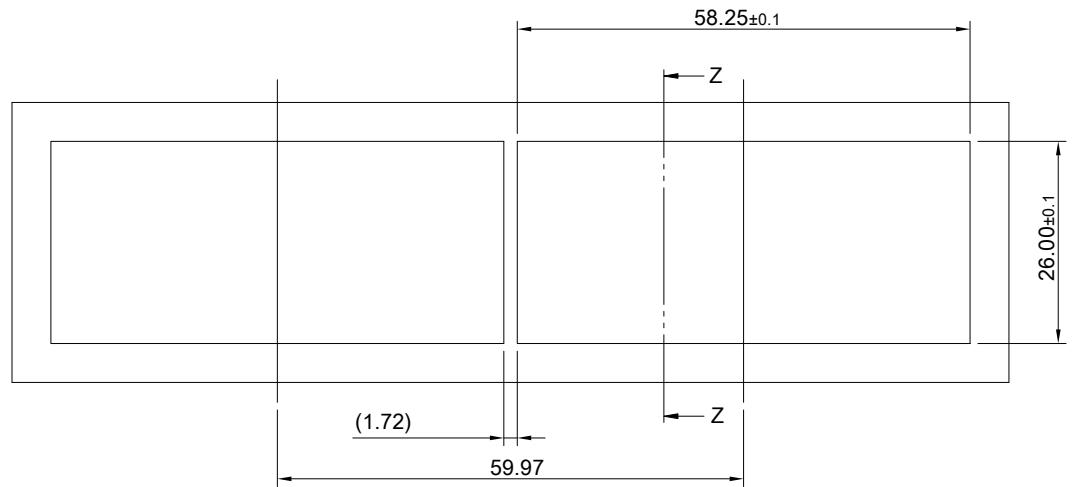
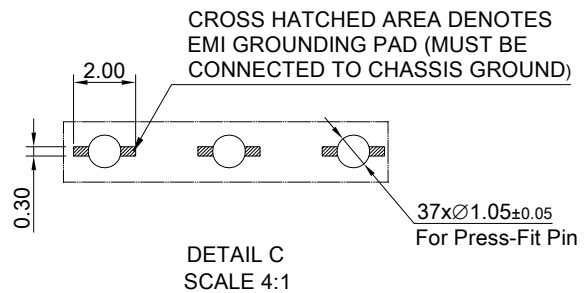
ELECTRICAL CHARACTERISTICS
 CONTACT CURRENT RATING: 0.5 AMPERE
 VOLTAGE RATING: 30 VAC
 CONTACT RESISTANCE: 80 mΩ MAX.
 DIELECTRIC WITHSTANDING VOLTAGE: 300VAC



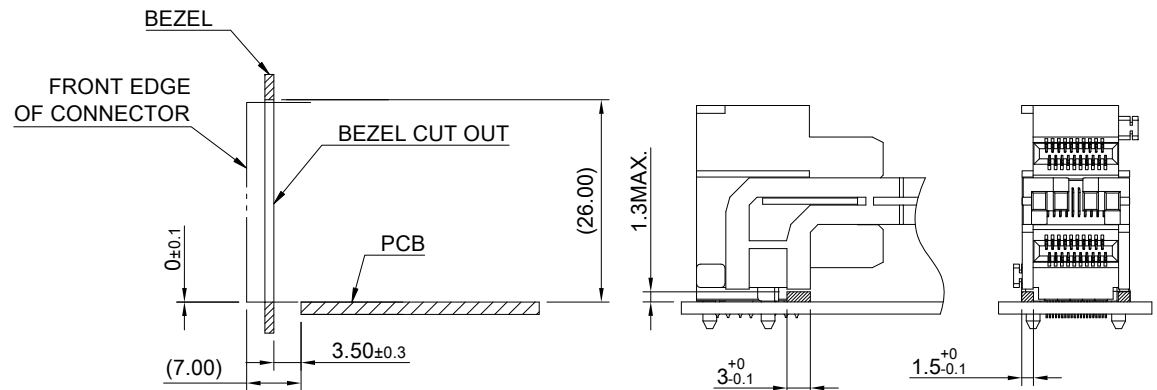
TITLE: Transformed SFP 2X4 w/ Light Pipe		SHEET: 1/3	REV. C
DWG#: R-OP-008160-7-F-N-19		CHECKED: Gary Kang	
UNIT: mm	SCALE: A4 1:1	APPROVED: George Yang	
THIRD ANGLE PROJECTION		DATE: 04/20/2022	
TOLERANCE: Angle: ± 1° X ± 0.25 .X ± 0.20 .XX ± 0.15		DRAWN: Laura	



RECOMMENDED PCB LAYOUT
TOLERANCE : ± 0.05
MINIMUM PCB THICKNESS OF 1.57MM

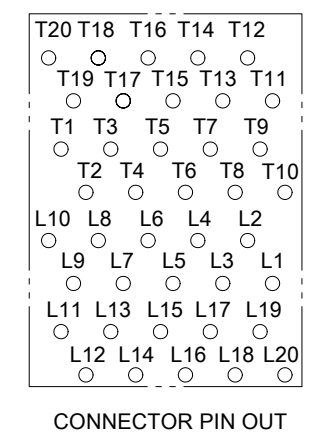
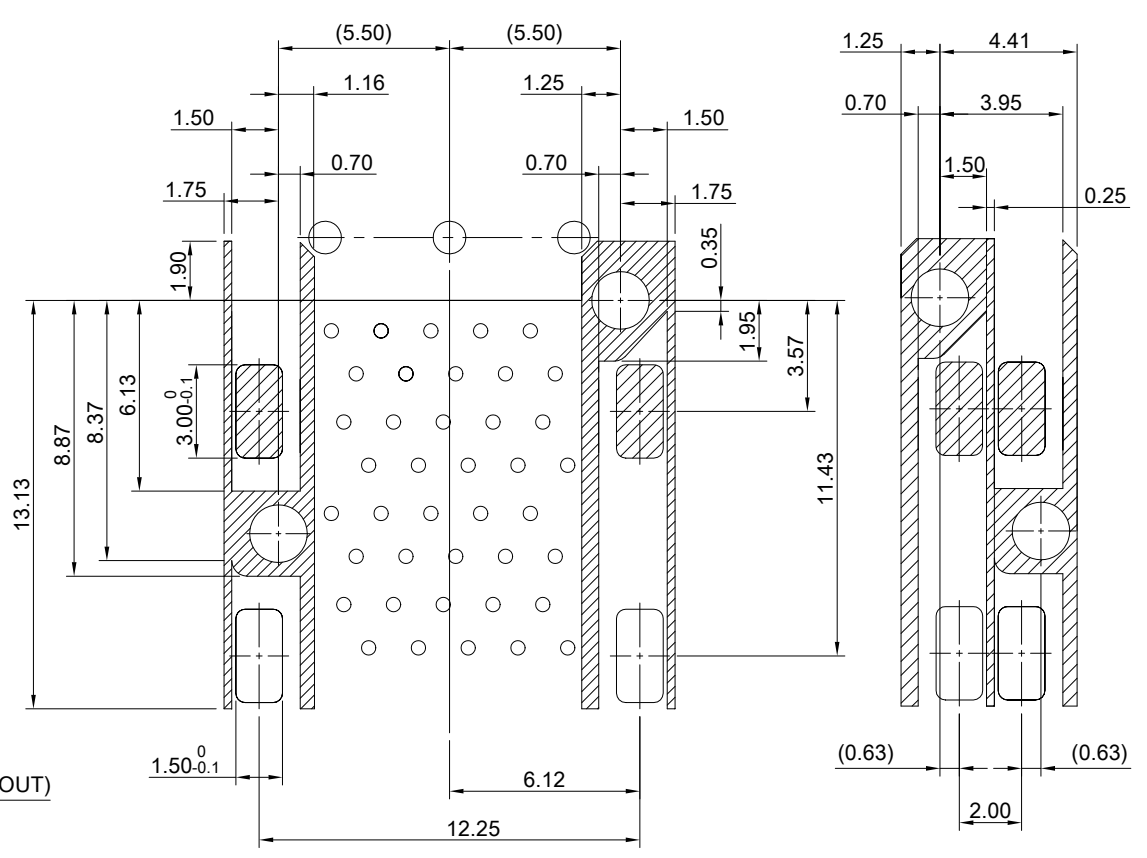
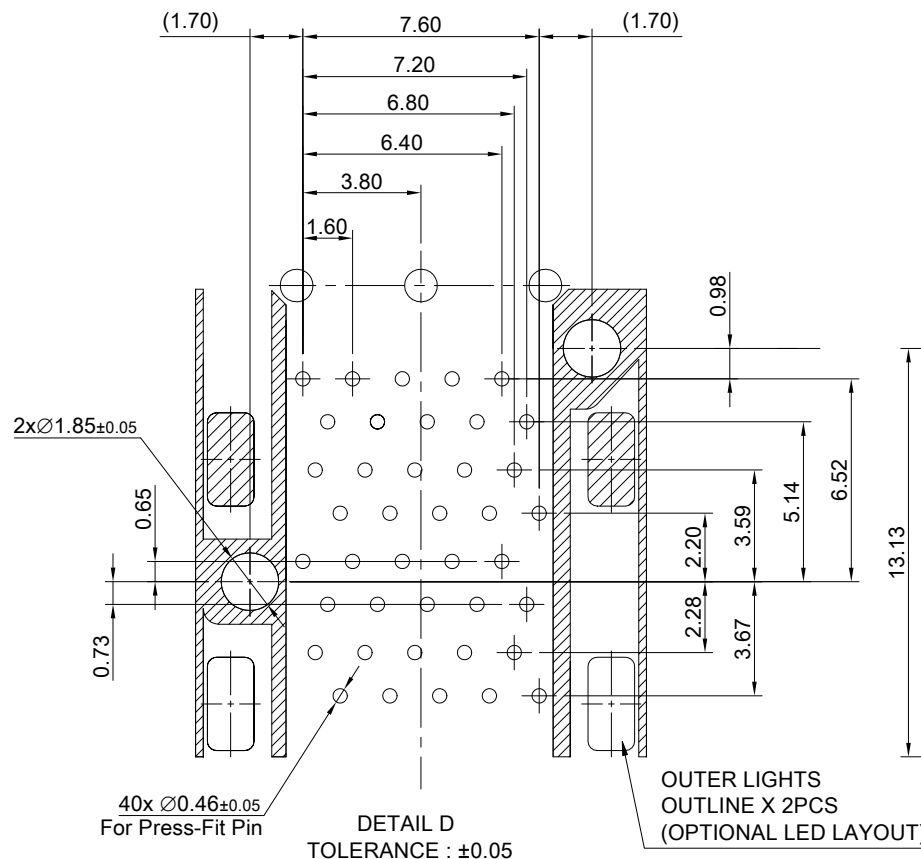
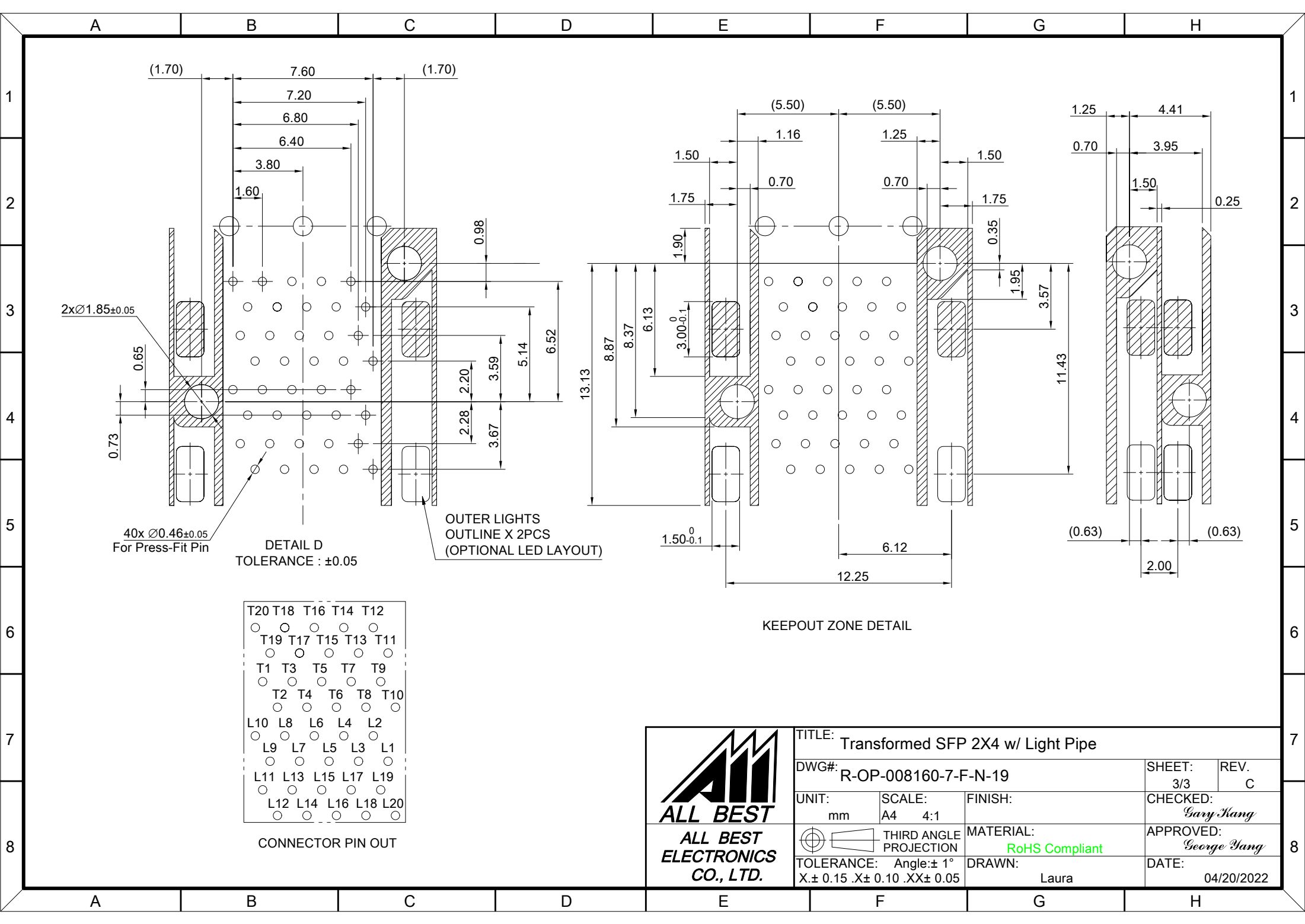


RECOMMENDED BEZEL CUT-OUT SPACING DETAIL
BEZEL THICKNESS 0.8-2.6MM



SECTION Z-Z

	TITLE: Transformed SFP 2X4 w/ Light Pipe		
	DWG#: R-OP-008160-7-F-N-19		SHEET: 2/3
	UNIT: mm	SCALE: A4 1:1	REV. C
	THIRD ANGLE PROJECTION		CHECKED: Gary Kang
TOLERANCE: Angle: ± 1°		MATERIAL: RoHS Compliant	APPROVED: George Yang
X.± 0.15 .X± 0.10 .XX± 0.05		DRAWN: Laura	DATE: 04/20/2022



<p>ALL BEST ELECTRONICS CO., LTD.</p>	TITLE: Transformed SFP 2X4 w/ Light Pipe			
	DWG#: R-OP-008160-7-F-N-19		SHEET: 3/3 REV. C	
	UNIT: mm	SCALE: A4 4:1	FINISH:	CHECKED: Gary Kang
	TOLERANCE: Angle: $\pm 1^\circ$ X: ± 0.15 .X: ± 0.10 .XX: ± 0.05		MATERIAL: RoHS Compliant	APPROVED: George Yang
		DRAWN: Laura	DATE: 04/20/2022	