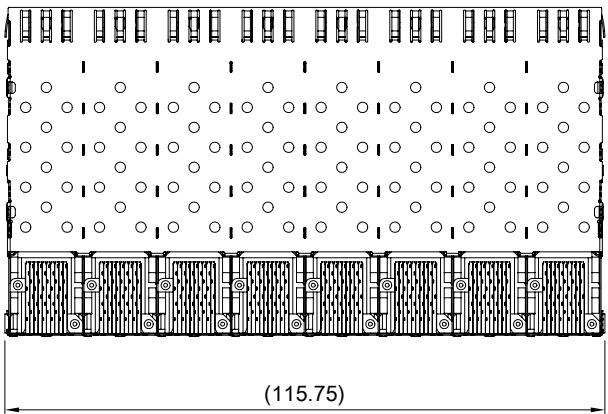


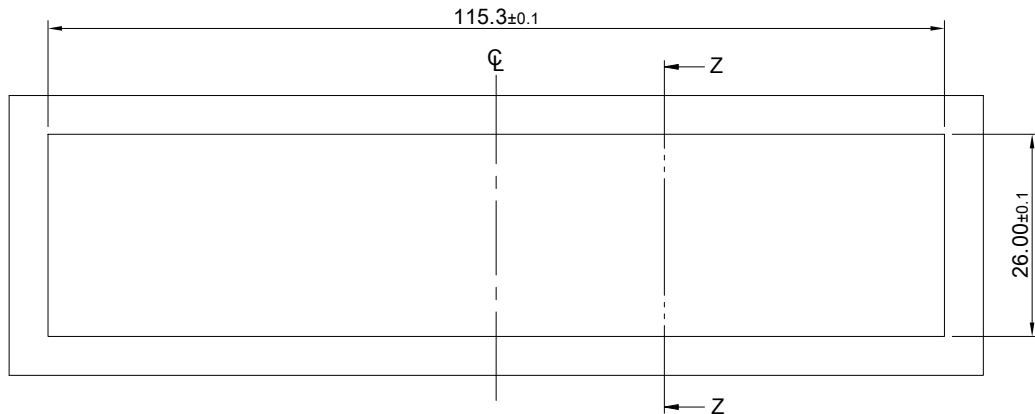
MATERIAL  
 CAGE: NICKEL SILVER  
 CONNECTOR: PA9T 94V-0 (BLACK)  
 LCP 94V-0 (DARK GRAY)  
 COPPER ALLOY

FINISH  
 CONTACT: 15µ" MIN. GOLD ON MATING END;  
 30µ" MIN. MATTE TIN ON TERMINATION END;  
 ALL UNDERPLATED 50µ" MIN. NICKEL

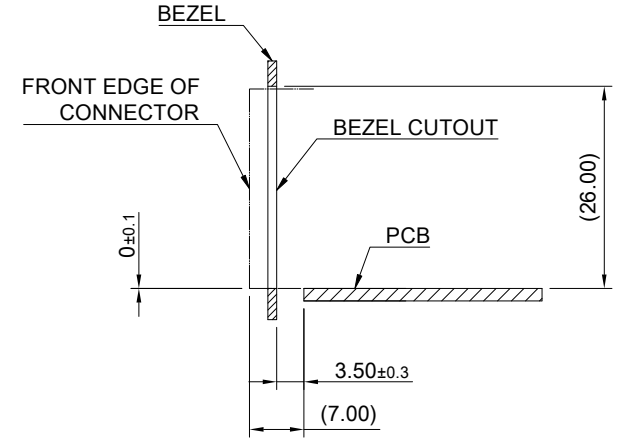
ELECTRICAL CHARACTERISTICS  
 CONTACT CURRENT RATING: 0.5 AMPERE  
 VOLTAGE RATING: 30 VAC  
 CONTACT RESISTANCE: 80 mΩ MAX.  
 DIELECTRIC WITHSTANDING VOLTAGE: 300VAC



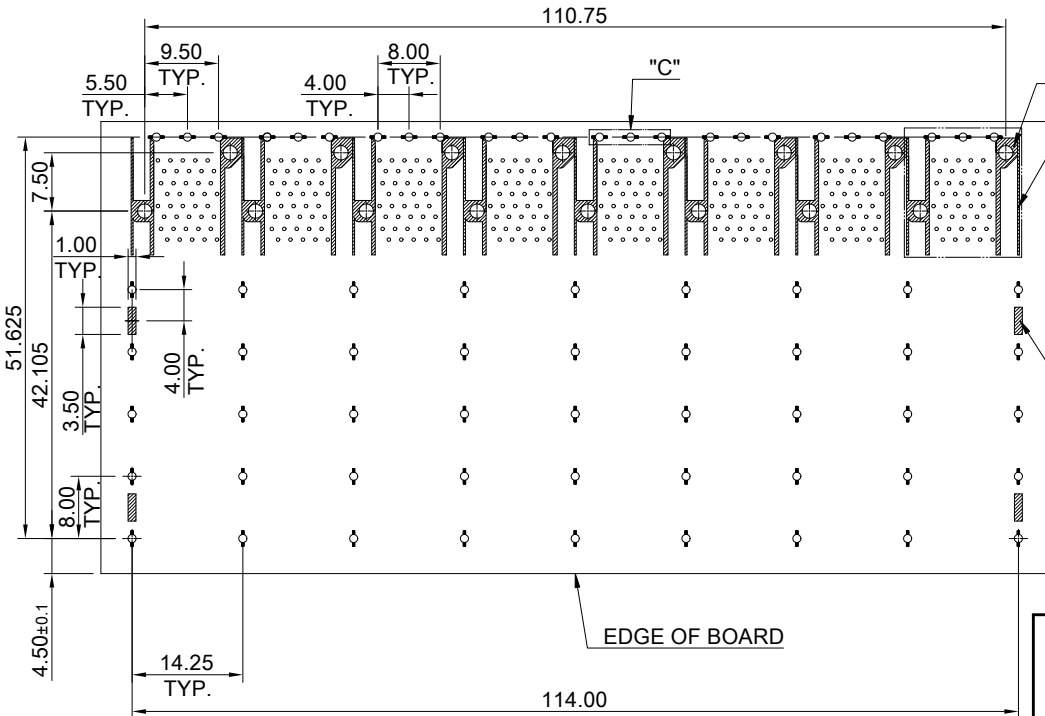
 <b>ALL BEST</b> ALL BEST ELECTRONICS CO., LTD.	TITLE: Transformed SFP 2X8		SHEET: 1/3	REV. C
	DWG#: R-OP-008320-6-F-N-13		CHECKED: Gary Kang	
	UNIT: mm	SCALE: A4 2:3	MATERIAL: RoHS Compliant	APPROVED: George Yang
	TOLERANCE: Angle: ± 1° X ± 0.25 .X ± 0.20 .XX ± 0.15		DRAWN: Laura	DATE: 04/07/2022



RECOMMENDED BEZEL CUT-OUT SPACING DETAIL  
BEZEL THICKNESS 0.8~2.6MM



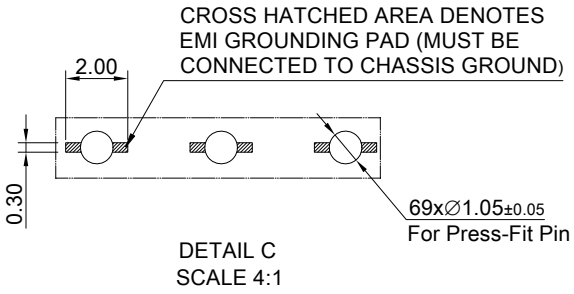
SECTION Z-Z



RECOMMENDED PCB LAYOUT-COMPONENT SIDE  
RECOMMENDED PCB THICKNESS- 1.57 MM  
THE ENTIRE AREA OF THE KEEP-OUT AREA FOR COMPONENTS  
(OTHER THAN LIGHT PIPE LED'S)  
THIS AREA IS INDICATED BY THE DASHED LINE

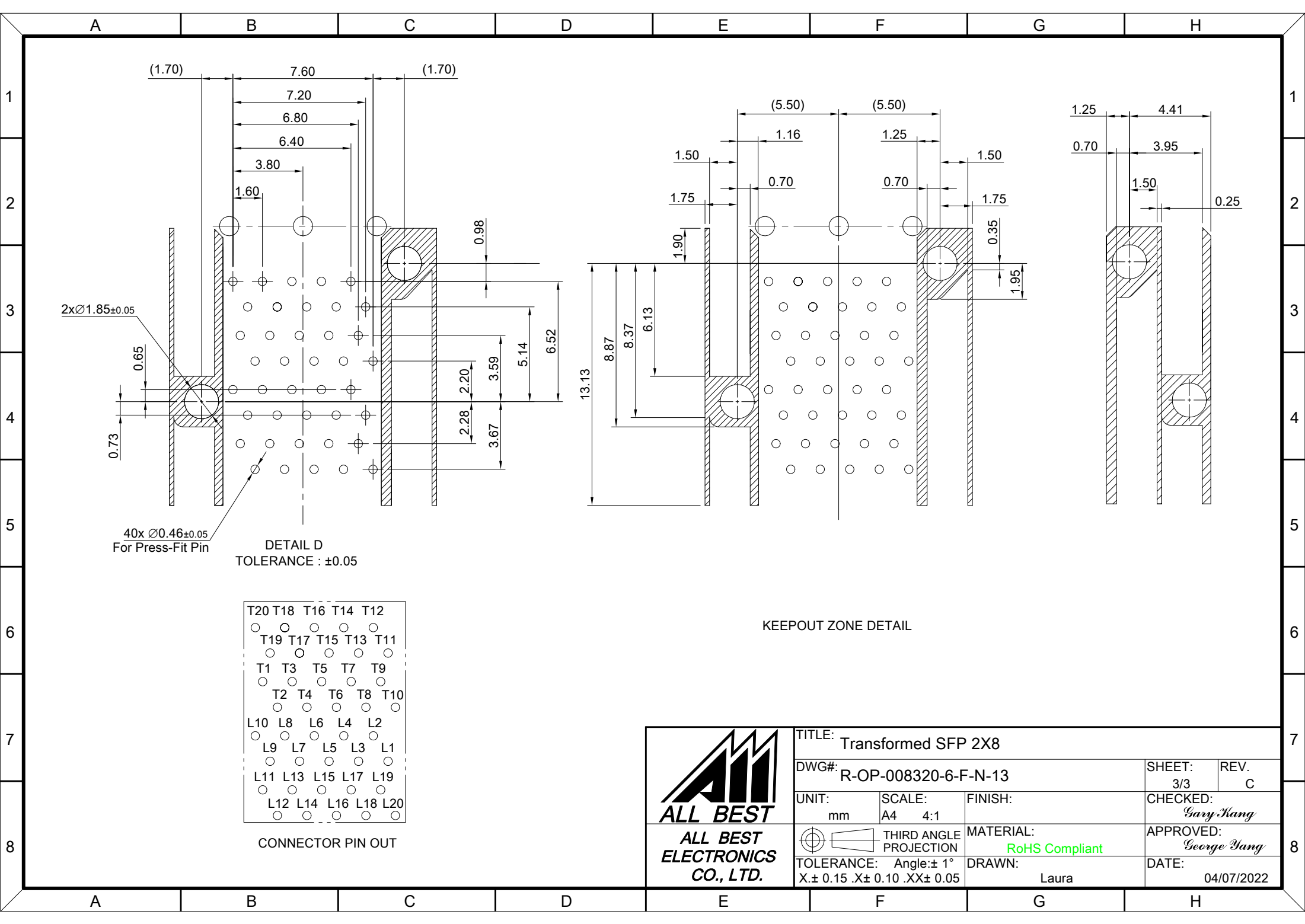
SEE KEEP-OUT ZONE DETAIL

TRACE KEEP-OUT AREAS



DETAIL C  
SCALE 4:1

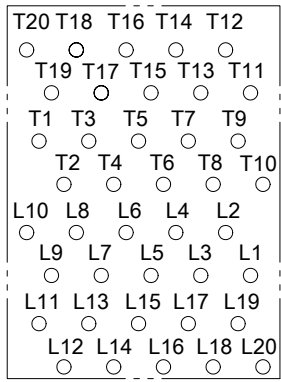
	TITLE: Transformed SFP 2X8		SHEET: 2/3	REV. C
	DWG#: R-OP-008320-6-F-N-13		CHECKED: Gary Kang	
	UNIT: mm	SCALE: A4 1:1	MATERIAL: RoHS Compliant	
	TOLERANCE: X± 0.15 .X± 0.10 .XX± 0.05		DRAWN: Laura	APPROVED: George Yang
		THIRD ANGLE PROJECTION		DATE: 04/07/2022



2x $\varnothing 1.85 \pm 0.05$


DETAIL D  
TOLERANCE :  $\pm 0.05$

40x  $\varnothing 0.46 \pm 0.05$   
For Press-Fit Pin



CONNECTOR PIN OUT

KEEPOUT ZONE DETAIL

 <b>ALL BEST</b> <b>ELECTRONICS</b> <b>CO., LTD.</b>	TITLE: Transformed SFP 2X8		SHEET: 3/3	REV. C
	DWG#: R-OP-008320-6-F-N-13		CHECKED: Gary Kang	
	UNIT: mm	SCALE: A4 4:1	FINISH:	APPROVED: George Yang
	TOLERANCE: Angle: $\pm 1^\circ$ X: $\pm 0.15$ .X: $\pm 0.10$ .XX: $\pm 0.05$		MATERIAL: RoHS Compliant	DATE: 04/07/2022
		DRAWN: Laura		