

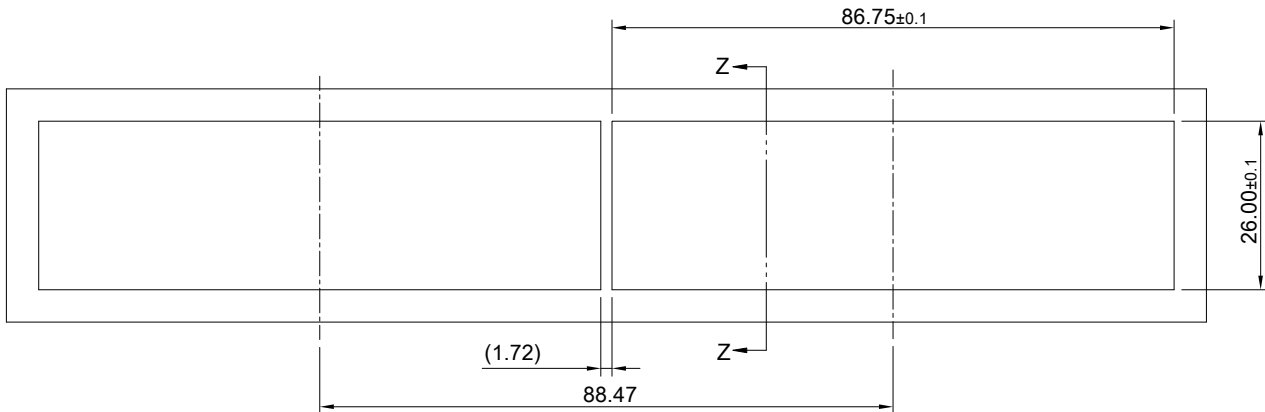
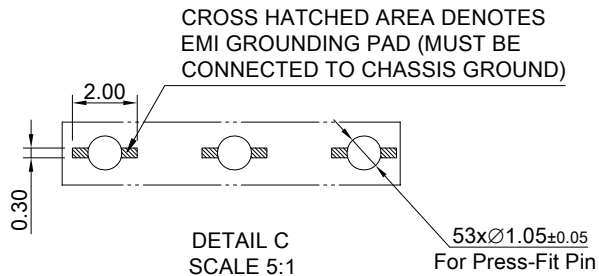
MATERIAL  
 CAGE: NICKEL SILVER  
 CONNECTOR: PA9T 94V-0 (BLACK)  
 LCP 94V-0 (DARK GRAY)  
 COPPER ALLOY

FINISH  
 CONTACT: 15µ" MIN. GOLD ON MATING END;  
 30µ" MIN. TIN ON TERMINATION END;  
 ALL UNDERPLATED 50µ" MIN. NICKEL

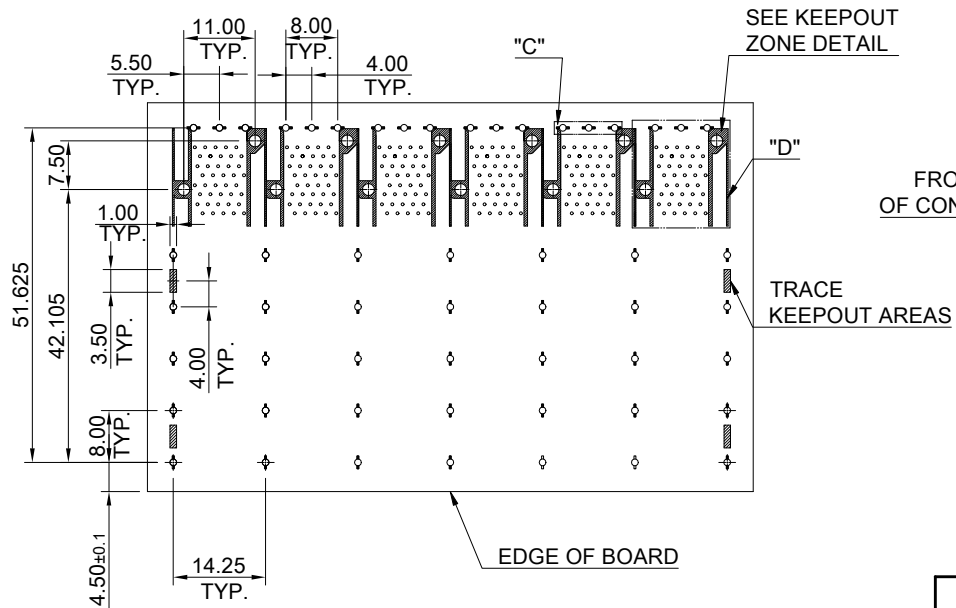
ELECTRICAL CHARACTERISTICS  
 CONTACT CURRENT RATING: 0.5 AMPERE  
 VOLTAGE RATING: 30 VAC  
 CONTACT RESISTANCE: 80 mΩ MAX.  
 DIELECTRIC WITHSTANDING VOLTAGE: 300VAC



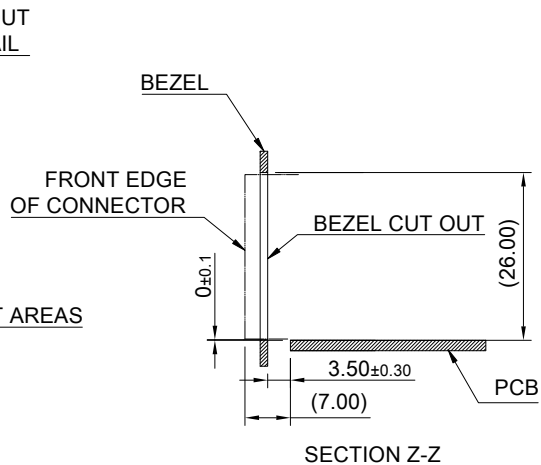
TITLE: Transformed SFP 2X6		SHEET: 1/3		REV. C	
DWG#: R-OP-008240-6-F-N-13		CHECKED: Gary Kang		APPROVED: George Yang	
UNIT: mm	SCALE: A4 5:6	MATERIAL: RoHS Compliant		DATE: 04/19/2022	
THIRD ANGLE PROJECTION		DRAWN: Laura			
TOLERANCE: Angle: ± 1° X: ± 0.25 .X: ± 0.20 .XX: ± 0.15					



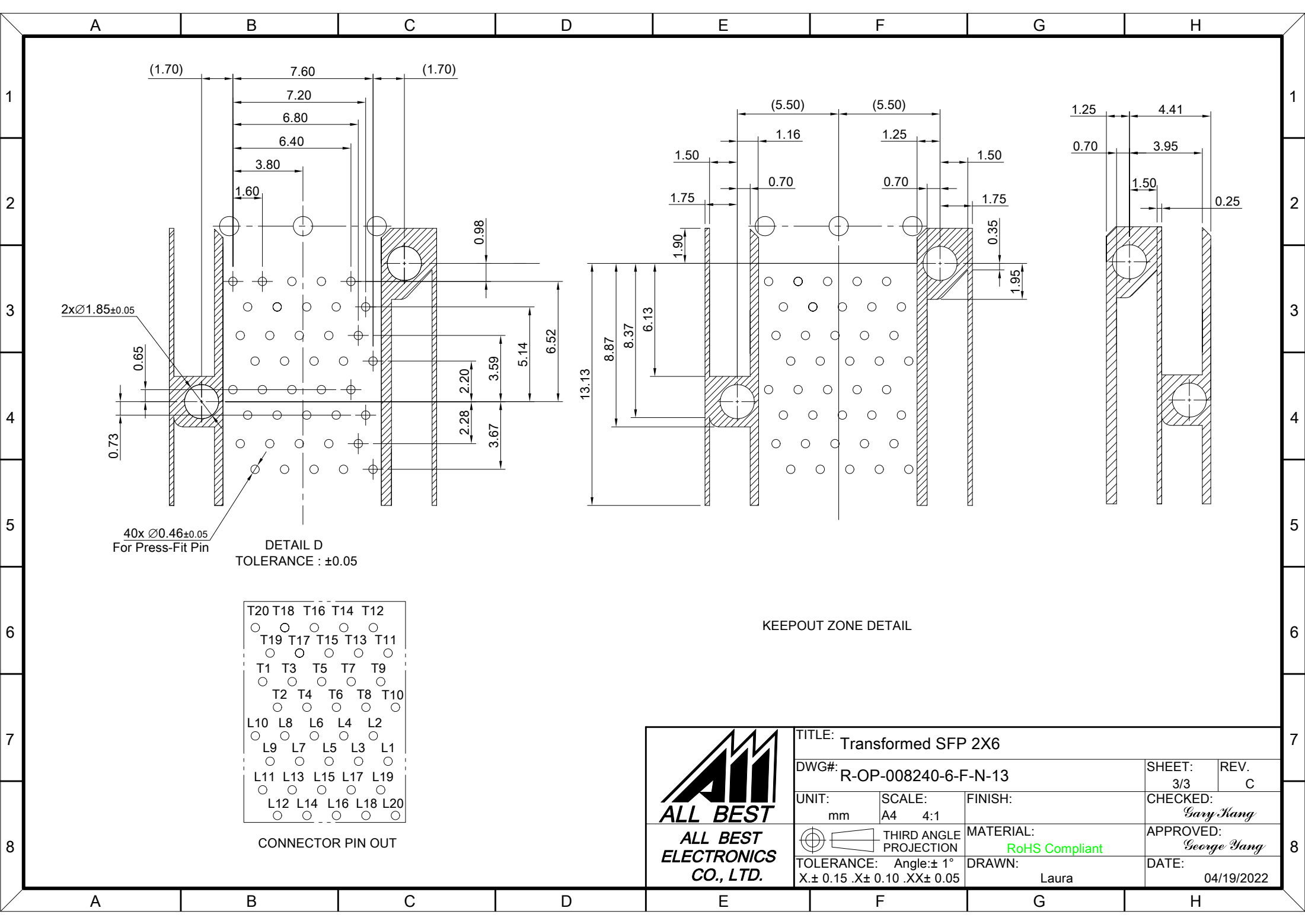
RECOMMENDED BEZEL CUT-OUT SPACING DETAIL  
BEZEL THICKNESS 0.8~2.6MM



RECOMMENDED PCB LAYOUT  
TOLERANCE: ±0.05  
MINIMUM PCB THICKNESS OF 1.57MM



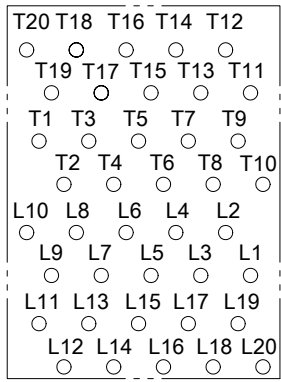
<p><b>ALL BEST</b> ELECTRONICS CO., LTD.</p>	TITLE: Transformed SFP 2X6			
	DWG#: R-OP-008240-6-F-N-13		SHEET: 2/3	REV. C
	UNIT: mm	SCALE: A4 5:6	CHECKED: Gary Kang	
	THIRD ANGLE PROJECTION TOLERANCE: Angle: ±1° X: ±0.15 .X: ±0.10 .XX: ±0.05		MATERIAL: RoHS Compliant	APPROVED: George Yang
	DRAWN: Laura		DATE: 04/19/2022	



2x $\varnothing 1.85 \pm 0.05$

DETAIL D  
TOLERANCE :  $\pm 0.05$

40x  $\varnothing 0.46 \pm 0.05$   
For Press-Fit Pin



CONNECTOR PIN OUT

KEEPOUT ZONE DETAIL

<p><b>ALL BEST</b> ELECTRONICS CO., LTD.</p>	TITLE: Transformed SFP 2X6		SHEET: 3/3	REV. C
	DWG#: R-OP-008240-6-F-N-13		CHECKED: Gary Kang	
	UNIT: mm	SCALE: A4 4:1	FINISH:	APPROVED: George Yang
	THIRD ANGLE PROJECTION TOLERANCE: Angle: $\pm 1^\circ$ X: $\pm 0.15$ .X: $\pm 0.10$ .XX: $\pm 0.05$		MATERIAL: RoHS Compliant	DATE: 04/19/2022
			DRAWN: Laura	