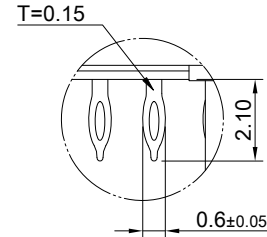
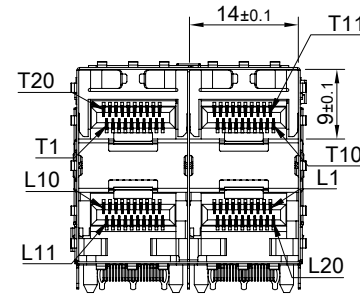
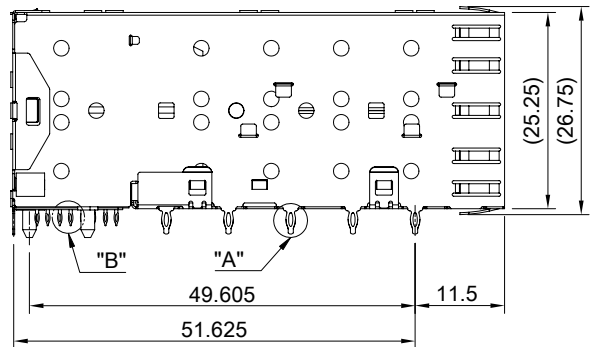
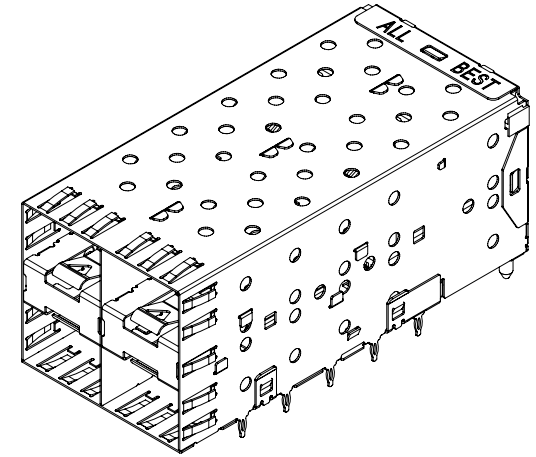


DETAIL A
SCALE 5:1



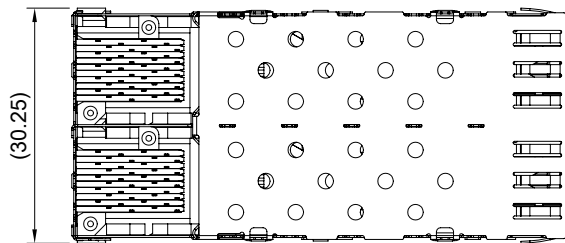
DETAIL B
SCALE 5:1



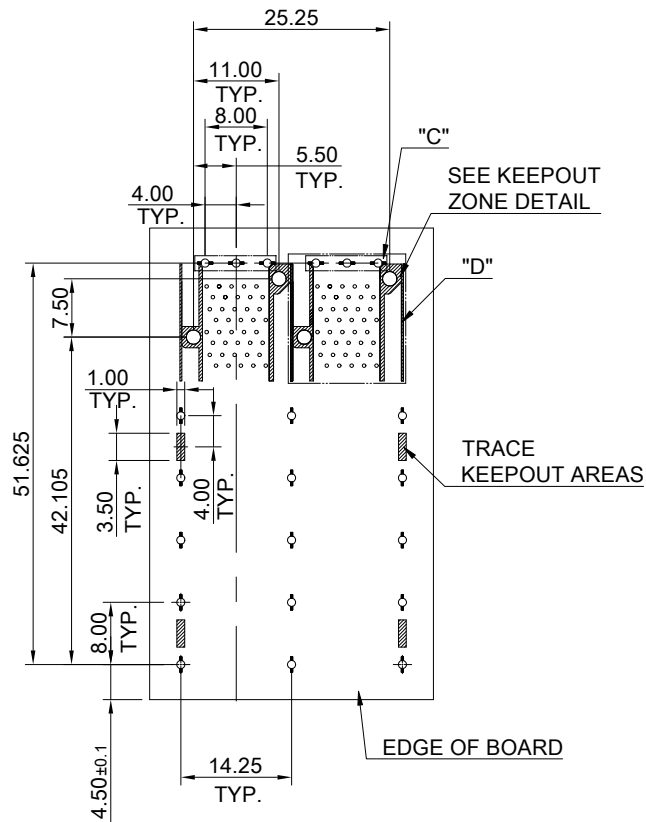
MATERIAL
CAGE: NICKEL SILVER
CONNECTOR: PA9T 94V-0 (BLACK)
LCP 94V-0 (DARK GRAY)
COPPER ALLOY

FINISH
CONTACT: 15µ" MIN. GOLD ON MATING END;
30µ" MIN. MATTE TIN ON TERMINATION END;
ALL UNDERPLATED 50µ" MIN. NICKEL

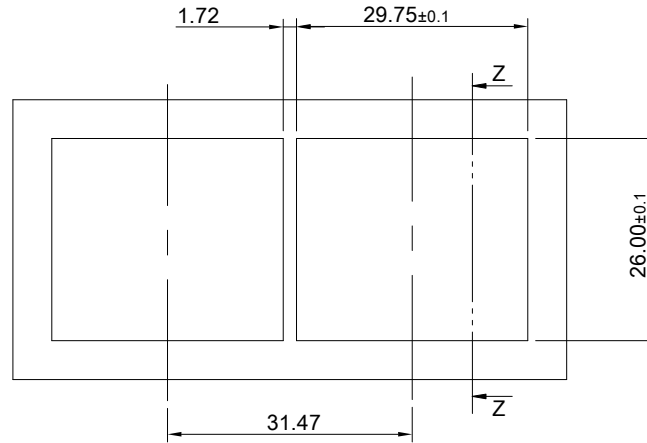
ELECTRICAL CHARACTERISTICS
CONTACT CURRENT RATING: 0.5 AMPERE
VOLTAGE RATING: 30 VAC
CONTACT RESISTANCE: 80 mΩ MAX.
DIELECTRIC WITHSTANDING VOLTAGE: 300VAC



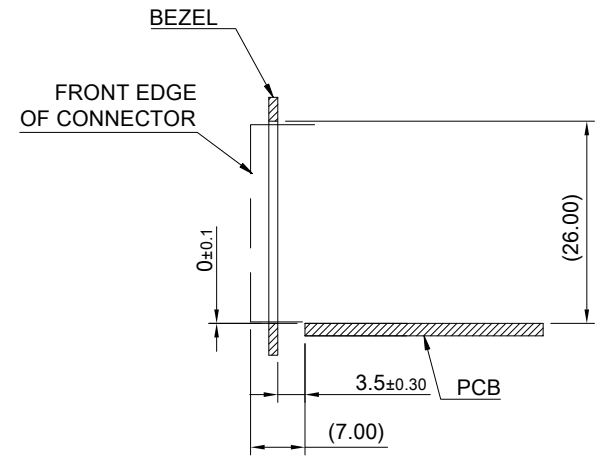
	TITLE: Transformed SFP 2X2		
	DWG#: R-OP-008080-6-F-N-13		SHEET: 1/3
	UNIT: mm	SCALE: A4 1:1	REV. C
	THIRD ANGLE PROJECTION		CHECKED: Gary Yang
TOLERANCE: Angle: ± 1°		MATERIAL: RoHS Compliant	APPROVED: George Yang
X.± 0.25 .X± 0.20 .XX± 0.15		DRAWN: Laura	DATE: 06/09/2021



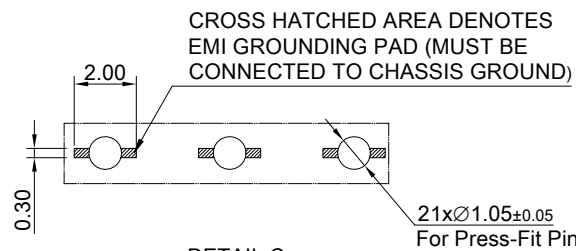
RECOMMENDED PCB LAYOUT
TOLERANCE : ±0.05
MINIMUM PCB THICKNESS OF 1.57MM



RECOMMENDED BEZEL CUT-OUT SPACING DETAIL
BEZEL THICKNESS 0.8~2.6MM



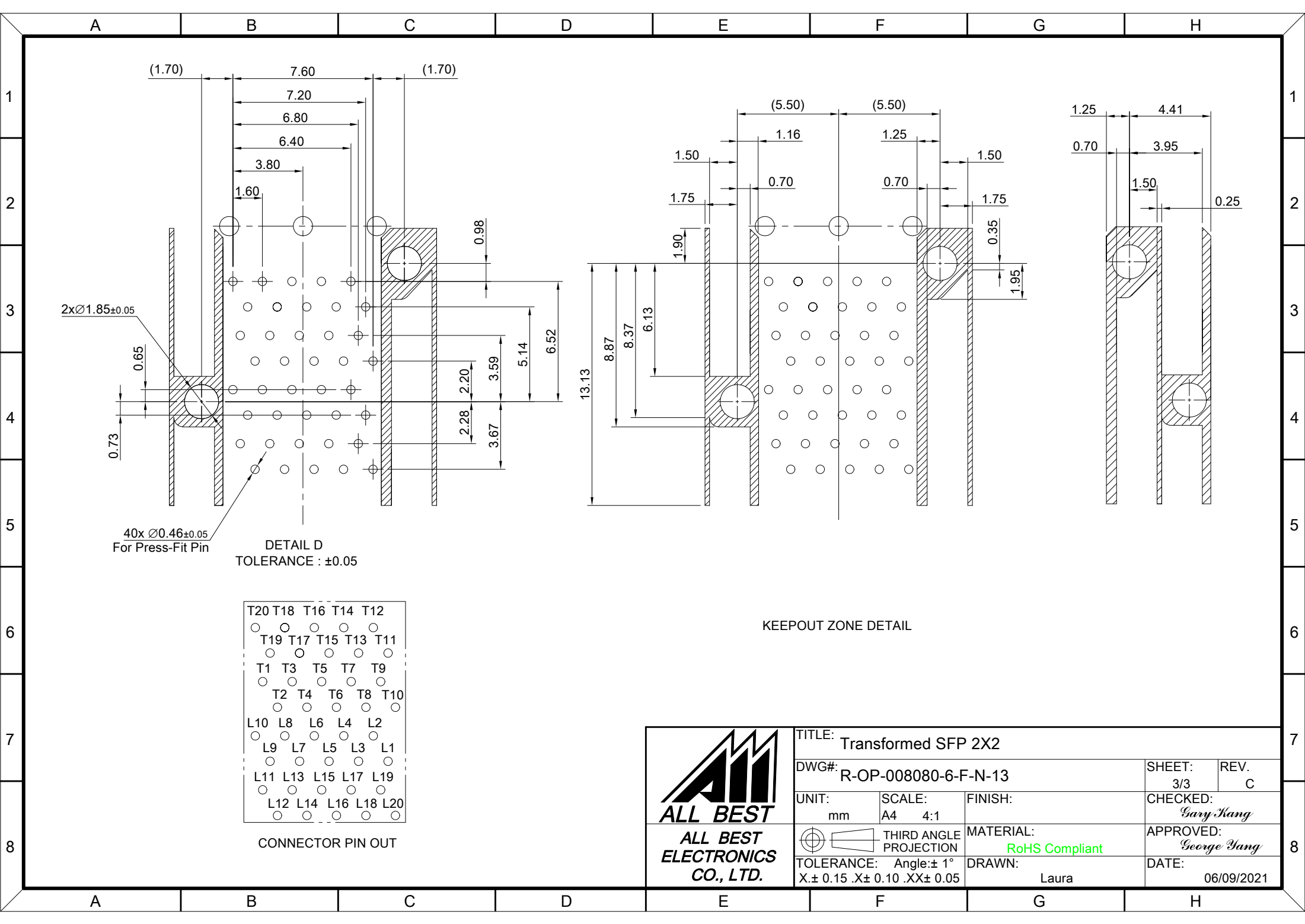
SECTION Z-Z



DETAIL C
SCALE 4:1



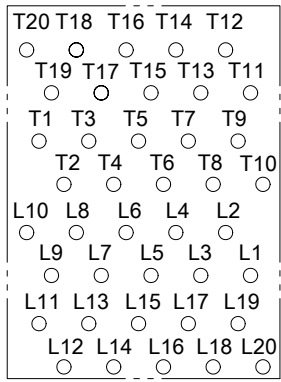
TITLE: Transformed SFP 2X2		SHEET: 2/3	REV. C
DWG#: R-OP-008080-6-F-N-13		CHECKED: Gary Yang	
UNIT: mm	SCALE: A4 1:1	APPROVED: George Yang	
THIRD ANGLE PROJECTION		MATERIAL: RoHS Compliant	DATE: 06/09/2021
TOLERANCE: Angle: ± 1° X.± 0.15 .X± 0.10 .XX± 0.05		DRAWN: Laura	



2x $\varnothing 1.85 \pm 0.05$

DETAIL D
TOLERANCE : ± 0.05

40x $\varnothing 0.46 \pm 0.05$
For Press-Fit Pin



CONNECTOR PIN OUT

KEEPOUT ZONE DETAIL



TITLE: Transformed SFP 2X2			
DWG#: R-OP-008080-6-F-N-13		SHEET: 3/3	REV. C
UNIT: mm	SCALE: A4 4:1	FINISH:	CHECKED: Gary Hang
THIRD ANGLE PROJECTION		MATERIAL: RoHS Compliant	APPROVED: George Yang
TOLERANCE: Angle: $\pm 1^\circ$ X: ± 0.15 .X: ± 0.10 .XX: ± 0.05		DRAWN: Laura	DATE: 06/09/2021