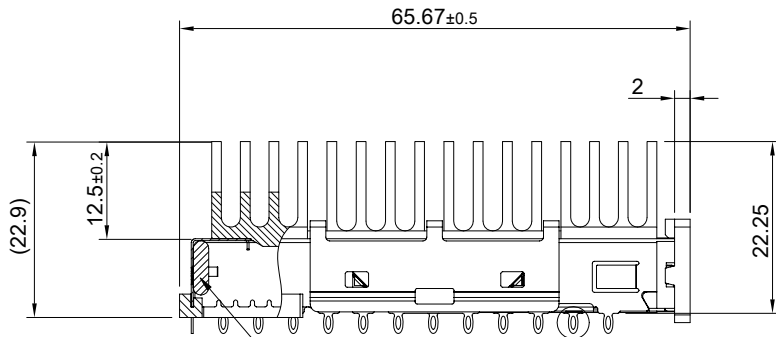
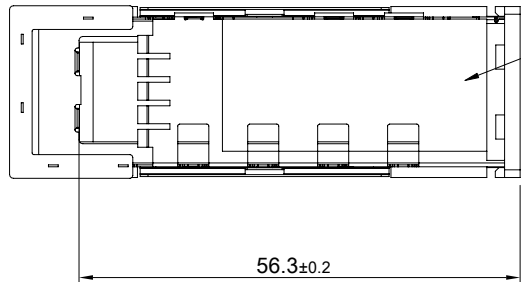
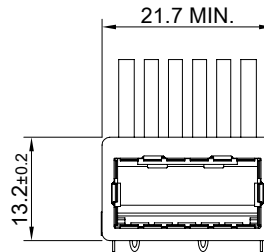


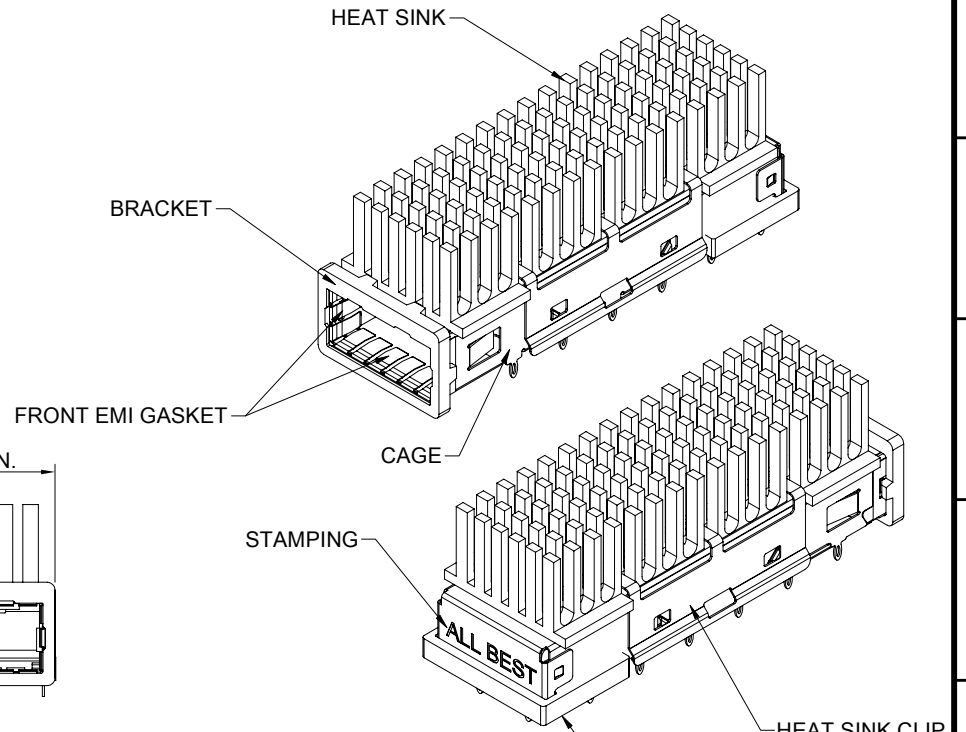
DETAIL A
SCALE 5:1



REAR EMI GASKET



INSULATION TAPE
17mm (H)X 34mm(W) X 0.2(T)



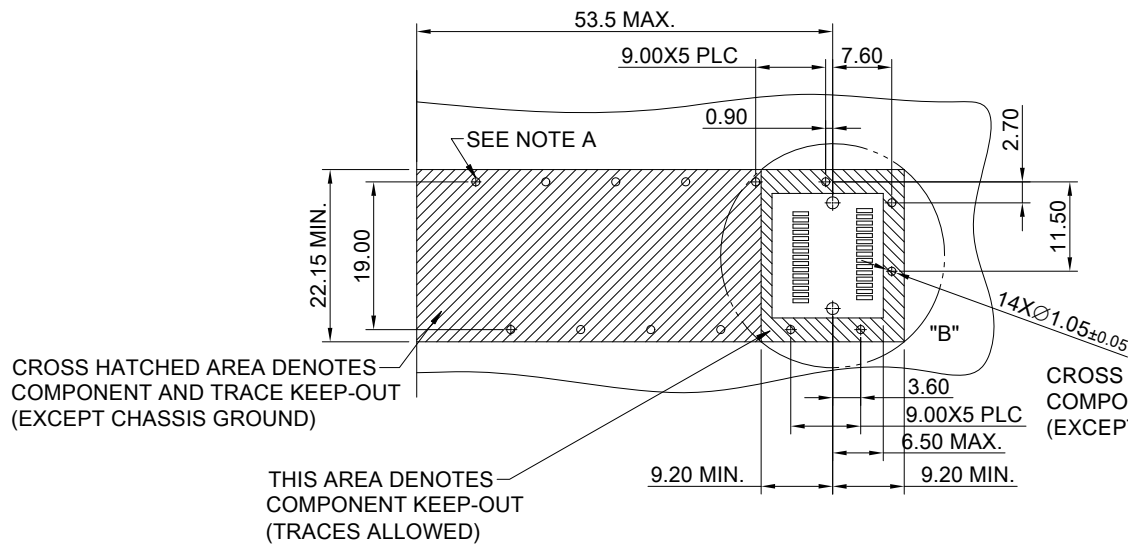
MATERIAL
CAGE: NICKEL SILVER
HEAT SINK: ALUMINUM
HEAT SINK CLIP: STAINLESS STEEL
FRONT EMI GASKET: COPPER ALLOY
REAR EMI GASKET: CONDUCTIVE FOAM
ELASTOMERIC RUBBER: CONDUCTIVE RUBBER

BRACKET: ZINC ALLOY
INSULATION TAPE: PET

FINISH
HEAT SINK: ANODE PROCESS
FRONT EMI GASKET: TIN OVER COPPER
BRACKET: TIN

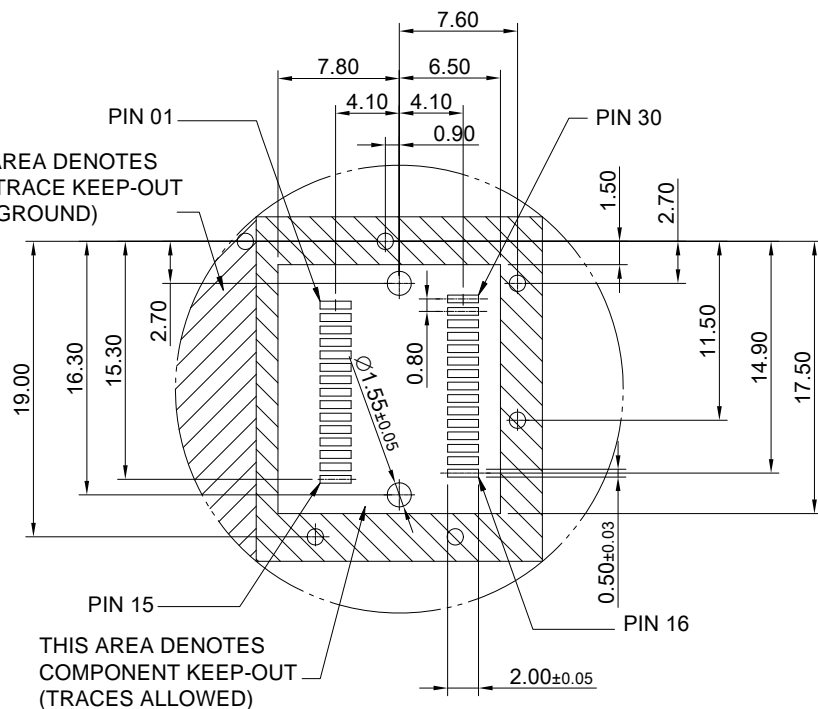
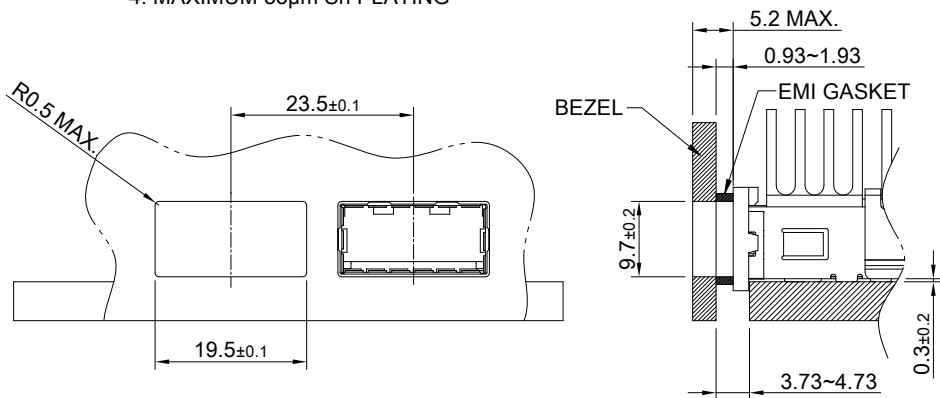


TITLE: XFP Cage Assembly With Heat Sink 12.5mm Tall			
DWG#: R-CG-008030-27		SHEET: 1 / 2	REV. B
UNIT: mm	SCALE: A4 1:1	FINISH:	CHECKED: Sheng Wu
TOLERANCE: X±0.25 .X±0.2 .XX±0.15		MATERIAL: RoHS Compliant	APPROVED: George Yang
THIRD ANGLE PROJECTION		DRAWN: Yilu	DATE: 10/17/2019



DETAILED HOST BOARD MECHANICAL LAYOUT
TOLERANCE: ±0.05

- NOTE A: RECOMMENDATION FOR P.C.B. HOLES
1. HOLE Ø AFTER DRILLING: 1.15±0.02
 2. HOLE Ø AFTER TIN LEAD PLATED: 1.05±0.05
 3. 25µm-50µm COPPER UNDERPLATED
 4. MAXIMUM 35µm Sn PLATING



DETAILED HOST BOARD MECHANICAL LAYOUT
TOLERANCE: ±0.05

DETAIL B
SCALE 2:1



TITLE: XFP Cage Assembly With Heat Sink 12.5mm Tall			
DWG#: R-CG-008030-27		SHEET: 2/2	REV. B
UNIT: mm	SCALE: A4 1:1	FINISH:	CHECKED: <i>Sheng Wu</i>
TOLERANCE: Angle: ±1° X±0.15 .X±0.1 .XX±0.05		MATERIAL: RoHS Compliant	APPROVED: <i>George Yang</i>
		DRAWN: Yilu	DATE: 10/17/2019