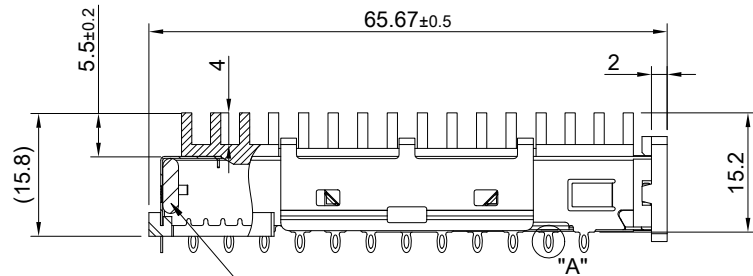
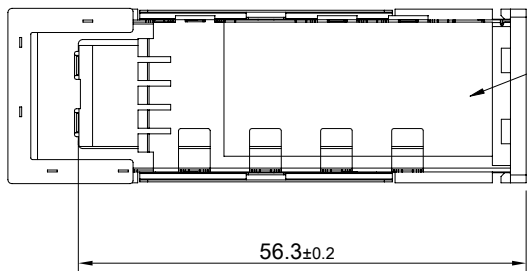
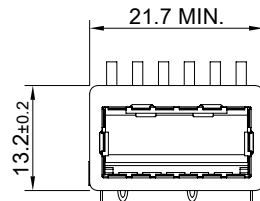


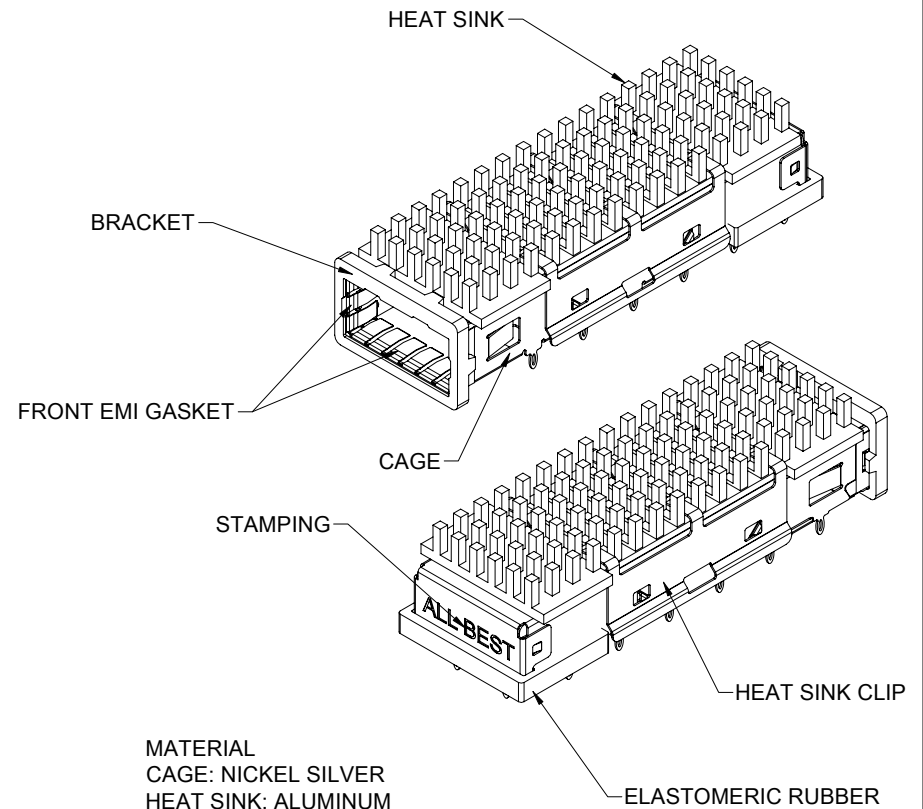
DETAIL A
SCALE 5:1



REAR EMI GASKET



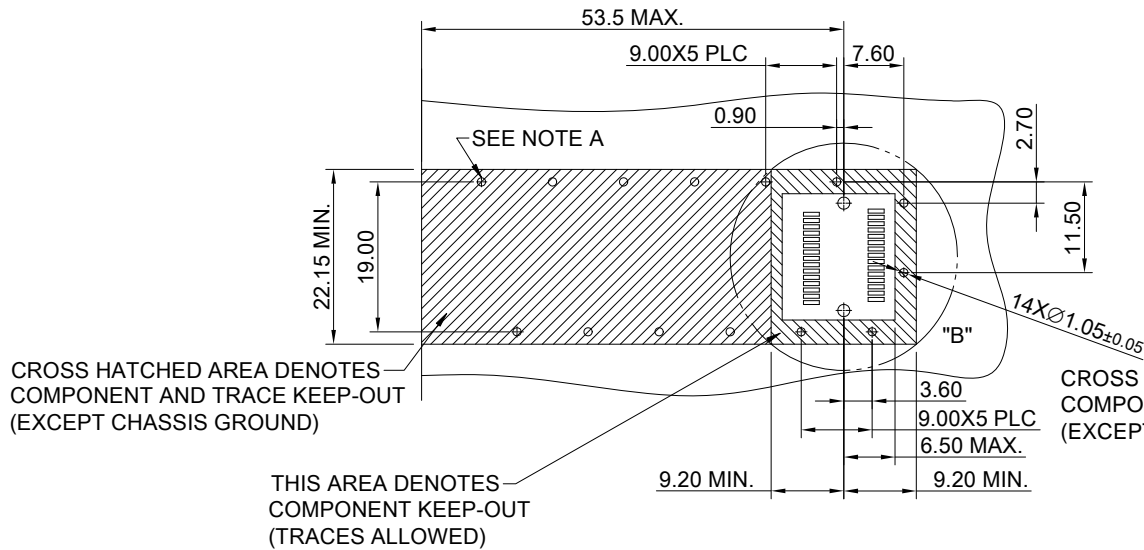
INSULATION TAPE
17mm (H)X 34mm(W) X 0.2(T)



MATERIAL
 CAGE: NICKEL SILVER
 HEAT SINK: ALUMINUM
 HEAT SINK CLIP: STAINLESS STEEL
 FRONT EMI GASKET: COPPER ALLOY
 REAR EMI GASKET: CONDUCTIVE FOAM
 ELASTOMERIC RUBBER: CONDUCTIVE RUBBER
 BRACKET: ZINC ALLOY
 INSULATION TAPE: PET

FINISH
 HEAT SINK: ANODE PROCESS
 FRONT EMI GASKET: TIN OVER COPPER
 BRACKET: TIN

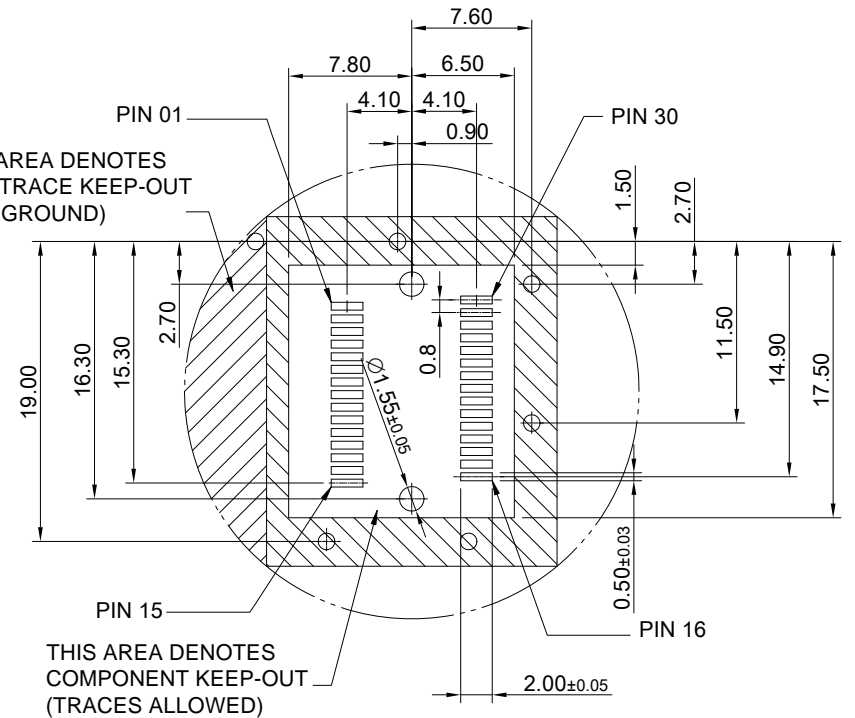
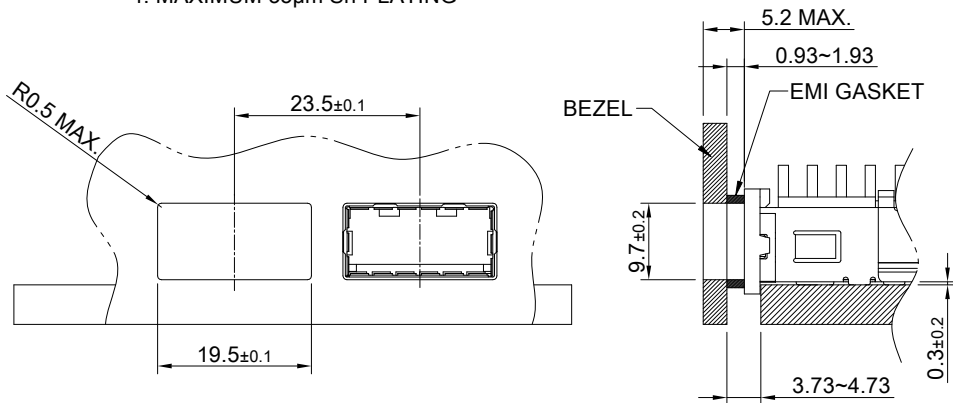
	TITLE: XFP Cage Assembly		SHEET: 1/2	REV. G
	DWG#: R-CG-008030-04		CHECKED: Gary Kang	
	UNIT: mm	SCALE: A4 1:1	APPROVED: George Yang	
	TOLERANCE: Angle: ± 1° X ± 0.25 .X ± 0.2 .XX ± 0.15		MATERIAL: RoHS Compliant	DATE: 07/23/2019
THIRD ANGLE PROJECTION		DRAWN: Yilu		



DETAILED HOST BOARD MECHANICAL LAYOUT
TOLERANCE: ±0.05

NOTE A: RECOMMENDATION FOR P.C.B. HOLES

1. HOLEØAFTER DRILLING: 1.15±0.02
2. HOLEØAFTER TIN LEAD PLATED: 1.05±0.05
3. 25µm-50µm COPPER UNDERPLATED
4. MAXIMUM 35µm Sn PLATING



DETAILED HOST BOARD MECHANICAL LAYOUT
TOLERANCE: ±0.05

DETAIL B
SCALE 2:1

 ALL BEST ELECTRONICS CO., LTD.	TITLE: XFP Cage Assembly		SHEET: 2/2	REV. G
	DWG#: R-CG-008030-04		CHECKED: Gary Kang	
	UNIT: mm	SCALE: A4 1:1	FINISH:	MATERIAL: RoHS Compliant
	TOLERANCE: Angle: ± 1° X ± 0.15 .X ± 0.1 .XX ± 0.05		DRAWN: Yilu	APPROVED: George Yang
			DATE: 07/23/2019	