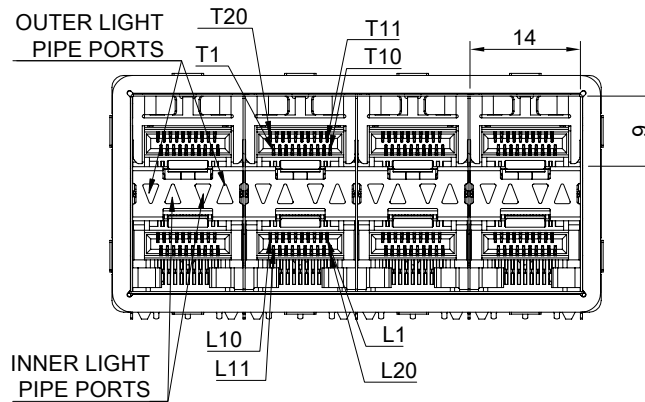
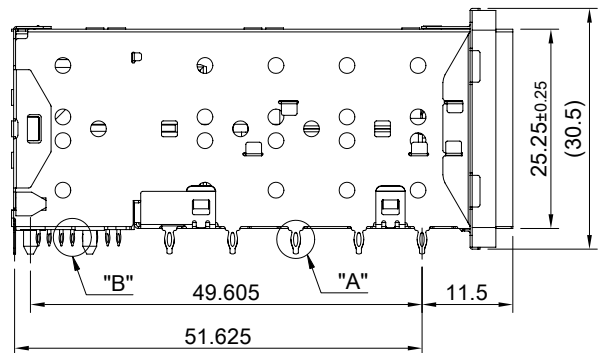
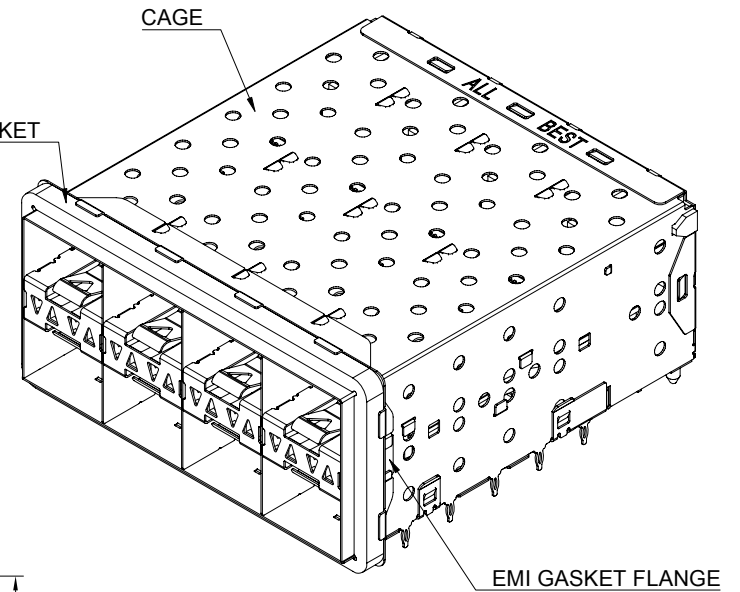


DETAIL A  
SCALE: 5:1

DETAIL B  
SCALE: 5:1

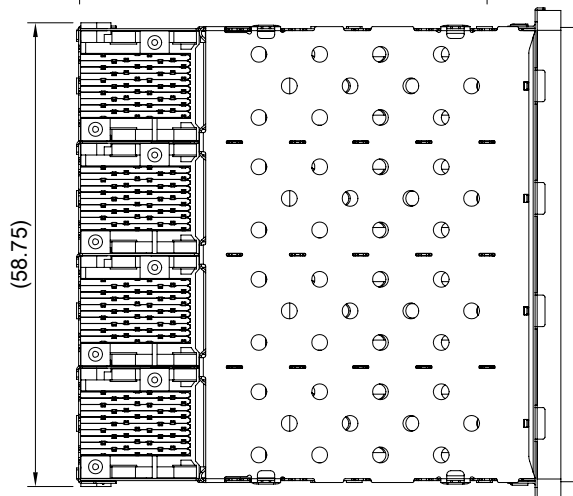


INNER LIGHT  
PIPE PORTS

OUTER LIGHT  
PIPE PORTS

MATERIAL  
CAGE: NICKEL SILVER  
CONNECTOR: LCP 94V-0  
COPPER ALLOY  
EMI GASKET FLANGE: NICKEL SILVER  
EMI GASKET: CONDUCTIVE ELASTOMER, (BLACK)  
LIGHT PIPE: PC  
FINISH  
CONTACT: 15μ" MIN. GOLD ON MATING END;  
30μ" MIN. MATTE TIN ON TERMINATION END;  
ALL UNDERPLATED 50μ" MIN. NICKEL

ELECTRICAL CHARACTERISTICS  
CONTACT CURRENT RATING: 0.5 AMPERE  
VOLTAGE RATING: 30 VAC  
CONTACT RESISTANCE: 80 mΩ MAX  
DIELECTRIC WITHSTANDING VOLTAGE: 300 VAC



THIS PRINT IS  
**PRELIMINARY**  
UNQUALIFIED PRODUCT  
CONTACT PRODUCT ENGINEERING  
BEFORE USING THIS PRINT

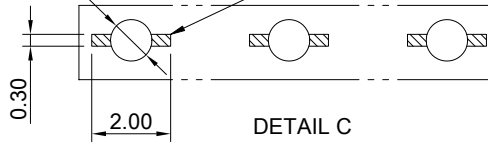


TITLE: Stacked SFP+ 2x4 ASS'Y w/ Internal Thermal Solution & Light Pipe			
DWG#: R-OP-008160-7-F-N2-06		SHEET: 1/3	REV. REF
UNIT: mm	SCALE: A4 1:1	FINISH:	CHECKED:
TOLERANCE: Angle: ± 1° X ± 0.15 .X ± 0.10 .XX ± 0.05		MATERIAL: RoHS Compliant	APPROVED:
THIRD ANGLE PROJECTION		DRAWN: Laura	DATE: 03/22/2024

THIS PRINT IS  
**PRELIMINARY**  
 UNQUALIFIED PRODUCT  
 CONTACT PRODUCT ENGINEERING  
 BEFORE USING THIS PRINT

37x $\varnothing$ 1.05 $\pm$ 0.05  
 For Press-Fit Pin

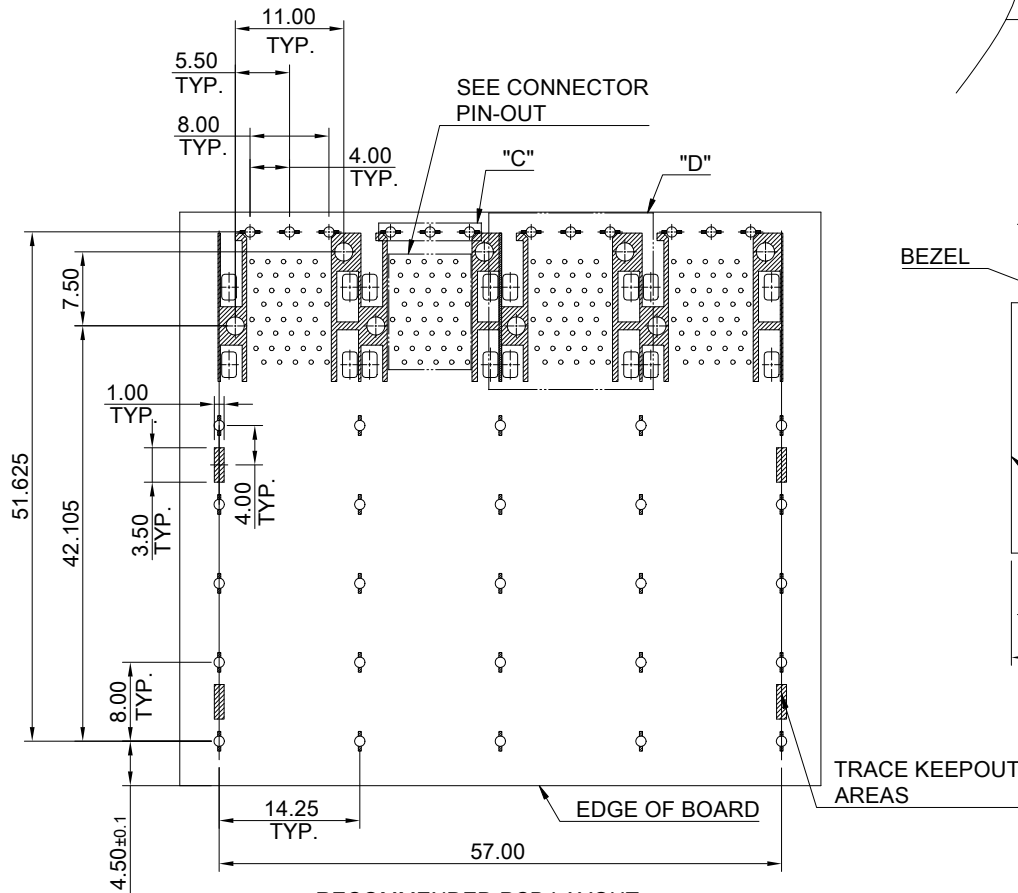
CROSS HATCHED AREA DENOTES EMI  
 GROUNDING PAD (MUST BE CONNECTED)  
 TO CHASSIS GROUND



DETAIL C  
 SCALE 4:1

SEE CONNECTOR  
 PIN-OUT

"C" "D"

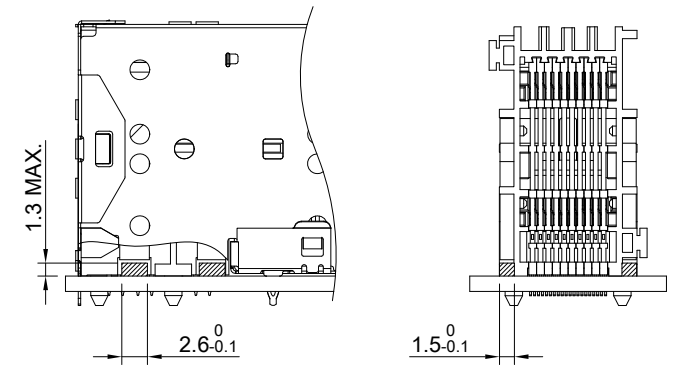
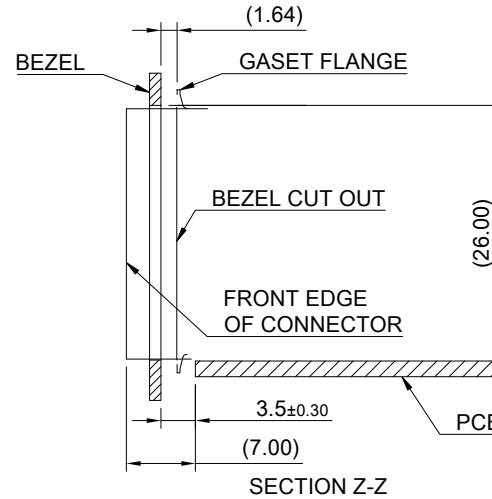
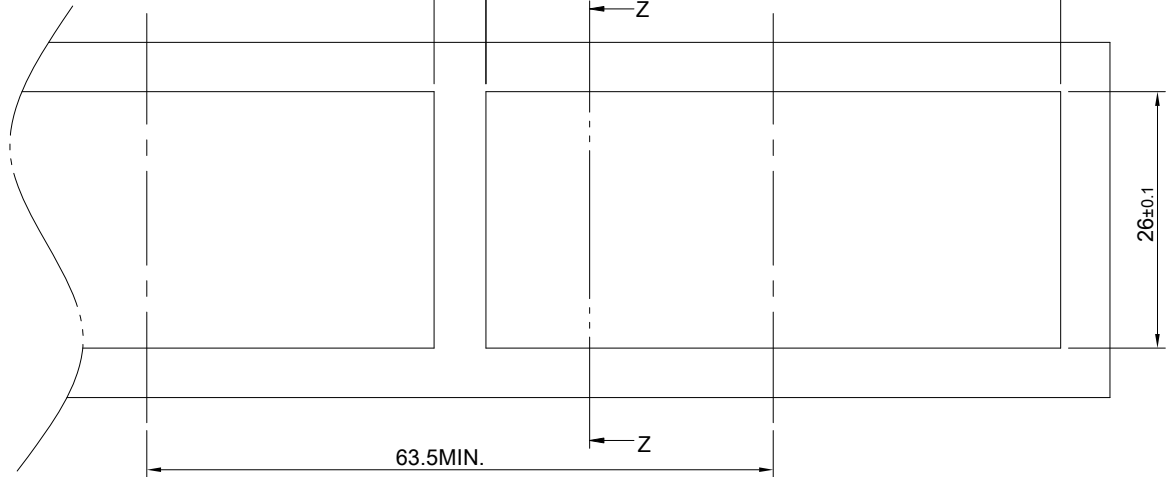


TRACE KEEPOUT  
 AREAS

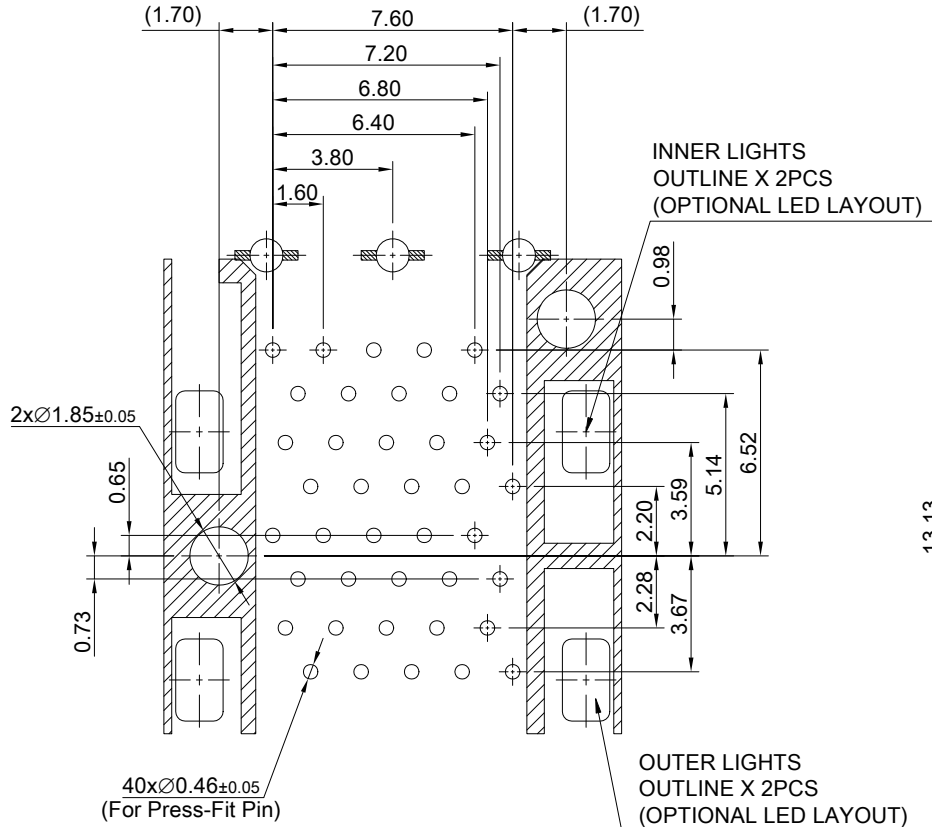
EDGE OF BOARD

5.25MIN.

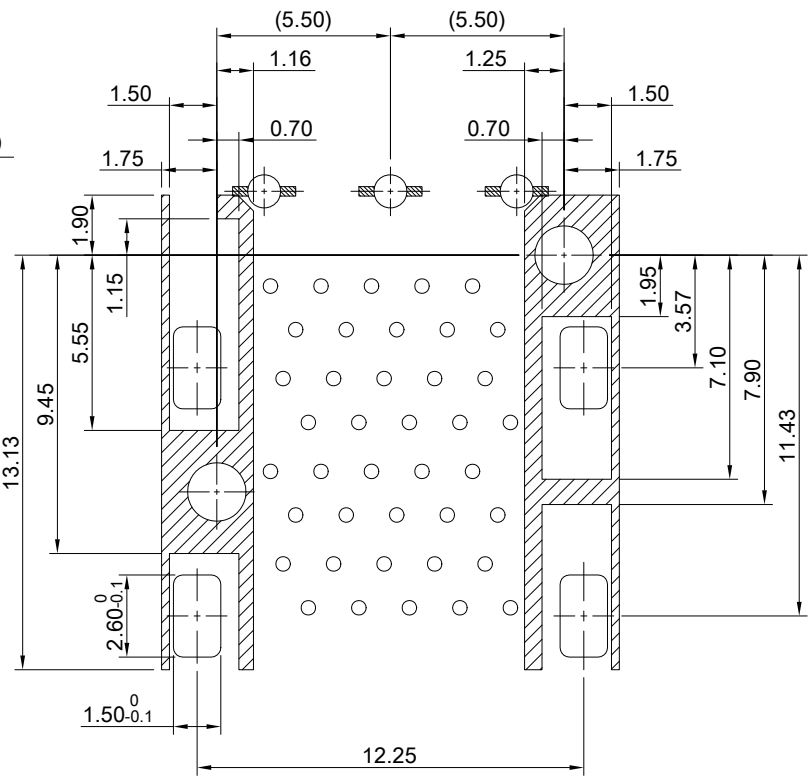
58.25 $\pm$ 0.1



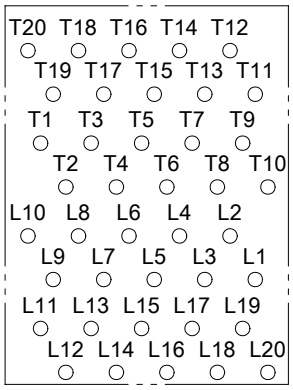
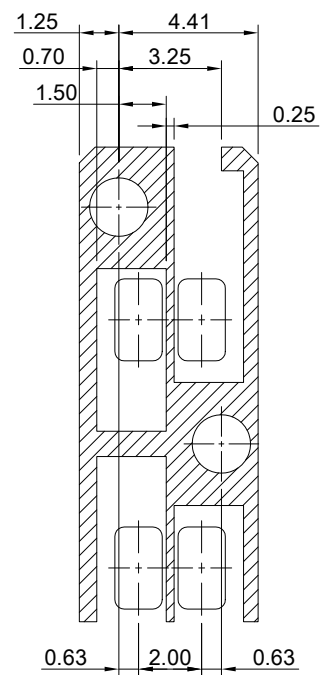
	TITLE: Stacked SFP+ 2x4 ASS'Y w/ Internal Thermal Solution & Light Pipe			SHEET:	REV.
	DWG#: R-OP-008160-7-F-N2-06			2/3	REF
UNIT:	SCALE:	FINISH:	CHECKED:		
mm	A4 5:4				
THIRD ANGLE PROJECTION		MATERIAL:	APPROVED:		
TOLERANCE: Angle: $\pm$ 1° X. $\pm$ 0.15 .X $\pm$ 0.10 .XX $\pm$ 0.05		RoHS Compliant			
DRAWN: Laura			DATE: 03/22/2024		



DETAIL D  
TOLERANCE: ±0.05



KEEPOUT ZONE DETAIL



CONNECTOR PIN OUT

THIS PRINT IS  
**PRELIMINARY**  
UNQUALIFIED PRODUCT  
CONTACT PRODUCT ENGINEERING  
BEFORE USING THIS PRINT



TITLE: Stacked SFP+ 2x4 ASS'Y w/ Internal Thermal Solution & Light Pipe			
DWG#: R-OP-008160-7-F-N2-06		SHEET: 3/3	REV. REF
UNIT: mm	SCALE: A4 4:1	FINISH:	CHECKED:
TOLERANCE: Angle: ± 1° X. ± 0.15 .X ± 0.10 .XX ± 0.05		MATERIAL: RoHS Compliant	APPROVED:
THIRD ANGLE PROJECTION		DRAWN: Laura	DATE: 03/22/2024