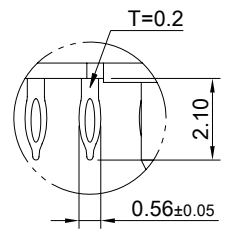
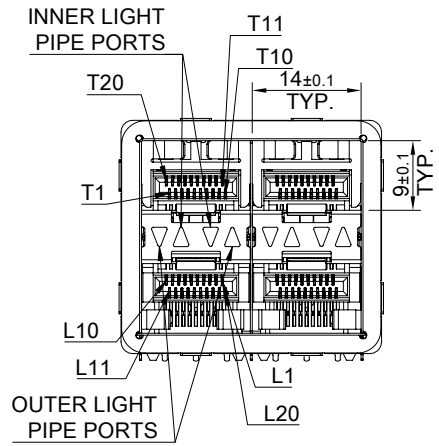
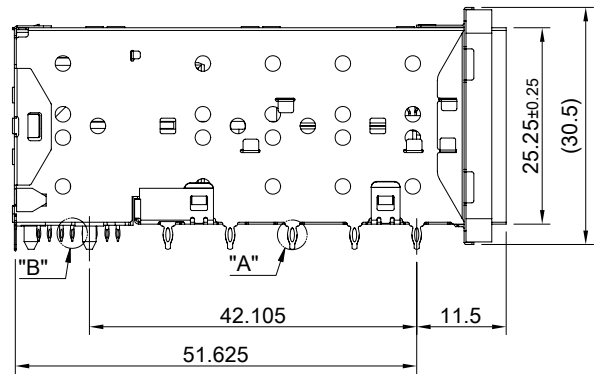
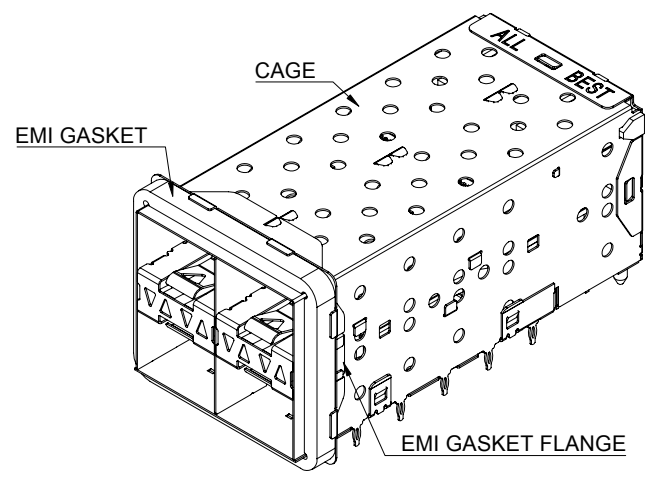


DETAIL A  
SCALE 5:1



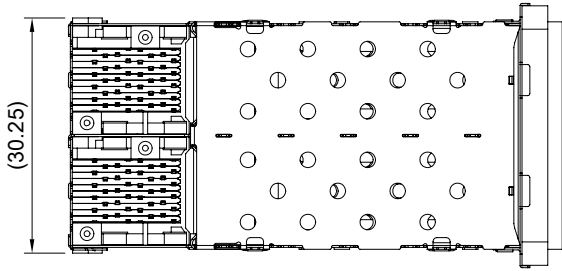
DETAIL B  
SCALE 5:1



**MATERIAL**  
 CAGE: NICKEL SILVER  
 CONNECTOR: LCP 94V-0 (DARK GRAY)  
 COPPER ALLOY  
 EMI GASKET FLANGE: NICKEL SILVER  
 EMI GASKET: CONDUCTIVE ELASTOMER, (BLACK)  
 LIGHT PIPE: PC

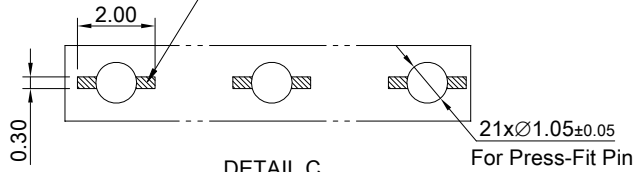
**FINISH**  
 CONTACT: 15μ" MIN. GOLD ON MATING END;  
 120μ" MIN. MATTE TIN ON TERMINATION END;  
 ALL UNDERPLATED 50μ" MIN. NICKEL

**ELECTRICAL CHARACTERISTICS**  
 CONTACT CURRENT RATING: 0.5 AMPERE  
 VOLTAGE RATING: 30 VAC  
 CONTACT RESISTANCE: 80 mΩ MAX  
 DIELECTRIC WITHSTANDING VOLTAGE: 300 VAC

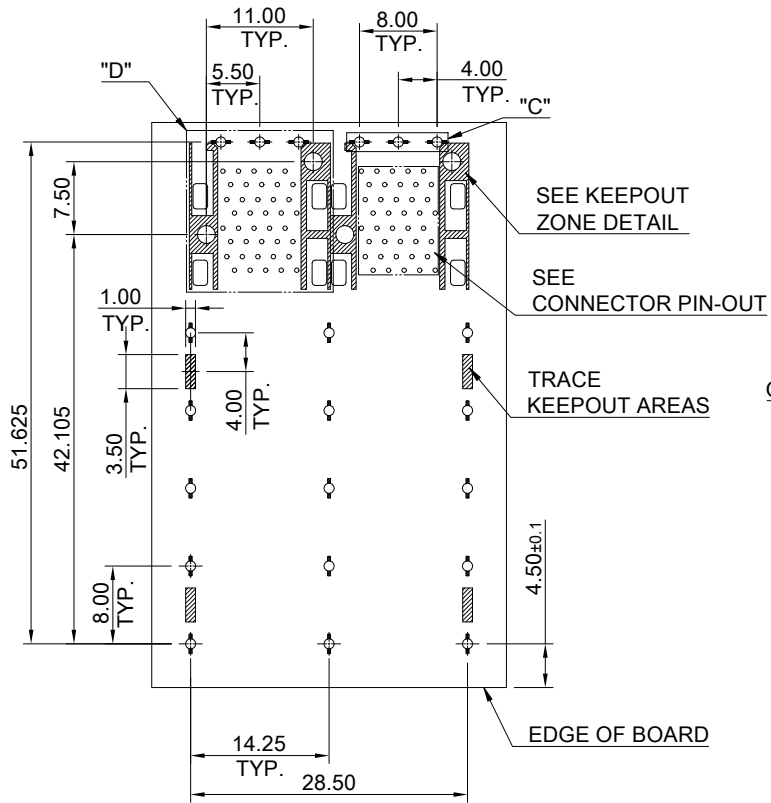


	TITLE: Stacked SFP+ 2X2 ASS'Y w/ Thermal Solution & Light Pipe		
	DWG#: R-OP-008080-7-F-N2-06		SHEET: 1/3
	UNIT: mm	SCALE: A4 1:1	REV. A
	THIRD ANGLE PROJECTION		CHECKED: Gary Kang
TOLERANCE: Angle: ± 1°		MATERIAL: RoHS Compliant	APPROVED: George Yang
X.±0.25 .X±0.20 .XX±0.15		DRAWN: Boris	DATE: 06/22/2020

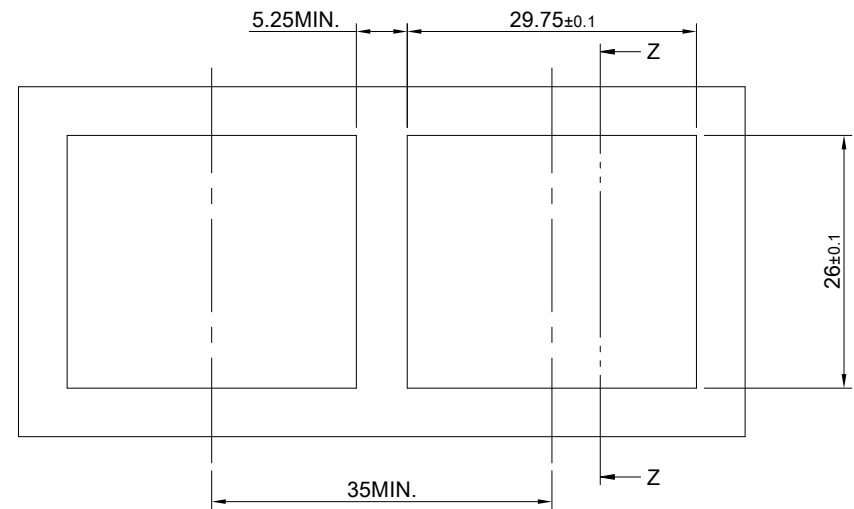
CROSS HATCHED AREA DENOTES EMI GROUNDING PAD (MUST BE CONNECTED TO CHASSIS GROUND)



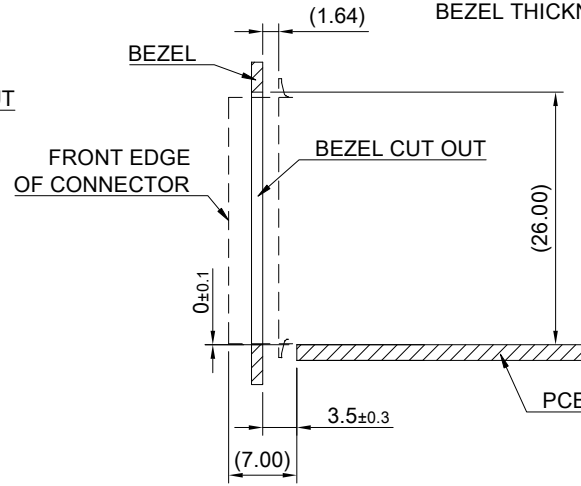
DETAIL C  
SCALE 4:1



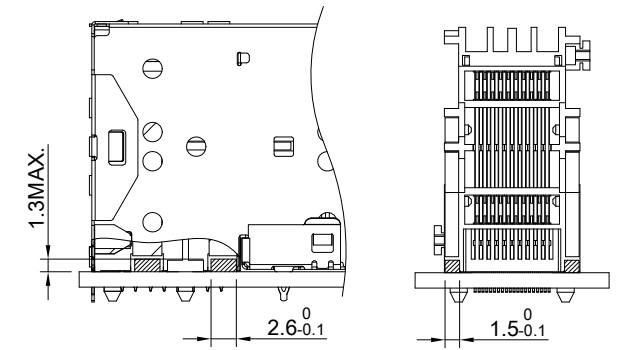
RECOMMENDED PCB LAYOUT  
TOLERANCE:  $\pm 0.05$   
MINIMUM PCB THICKNESS OF 1.57MM



RECOMMENDED BEZEL CUT-OUT SPACING DETAIL  
BEZEL THICKNESS 0.8~2.6MM



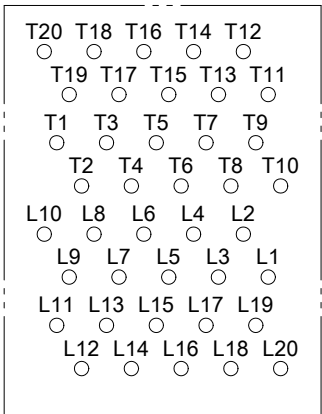
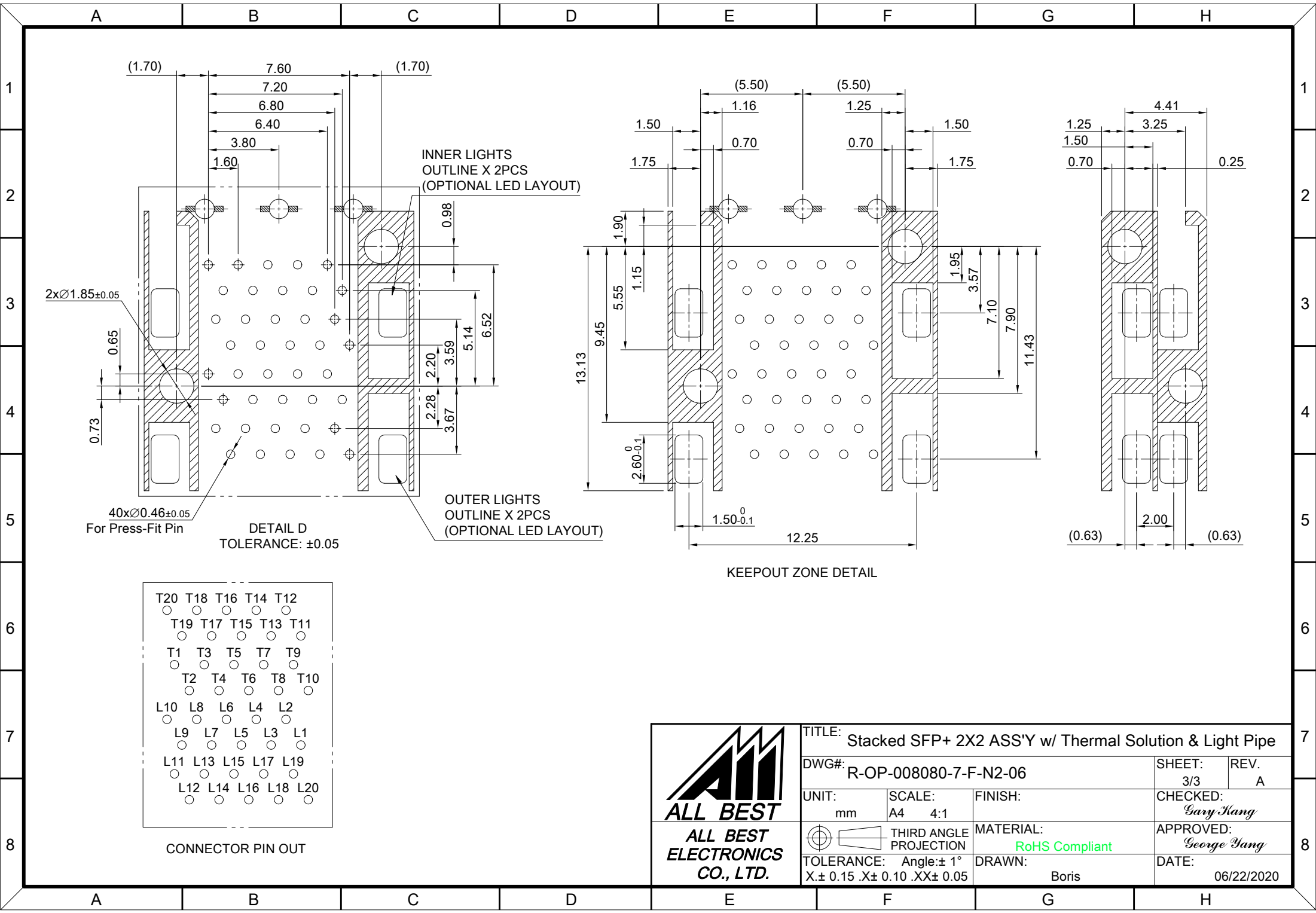
SECTION Z-Z



LED CLEARANCE REQUIREMENTS



TITLE: Stacked SFP+ 2X2 ASS'Y w/ Thermal Solution & Light Pipe			
DWG#: R-OP-008080-7-F-N2-06		SHEET: 2/3	REV. A
UNIT: mm	SCALE: A4 5:4	FINISH:	CHECKED: Gary Kang
THIRD ANGLE PROJECTION		MATERIAL: RoHS Compliant	APPROVED: George Yang
TOLERANCE: Angle: $\pm 1^\circ$ X: $\pm 0.15$ .X: $\pm 0.10$ .XX: $\pm 0.05$		DRAWN: Boris	DATE: 06/22/2020



<b>TITLE:</b> Stacked SFP+ 2X2 ASS'Y w/ Thermal Solution & Light Pipe			
<b>DWG#:</b> R-OP-008080-7-F-N2-06		<b>SHEET:</b> 3/3	<b>REV.:</b> A
<b>UNIT:</b> mm	<b>SCALE:</b> A4 4:1	<b>FINISH:</b>	<b>CHECKED:</b> Gary Kang
<b>THIRD ANGLE PROJECTION</b>		<b>MATERIAL:</b> RoHS Compliant	<b>APPROVED:</b> George Yang
<b>TOLERANCE:</b> Angle: ± 1° X: ± 0.15 .X: ± 0.10 .XX: ± 0.05		<b>DRAWN:</b> Boris	<b>DATE:</b> 06/22/2020