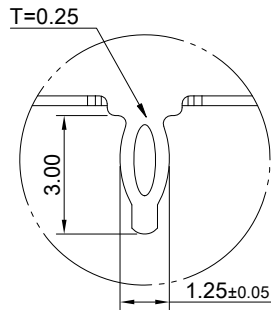
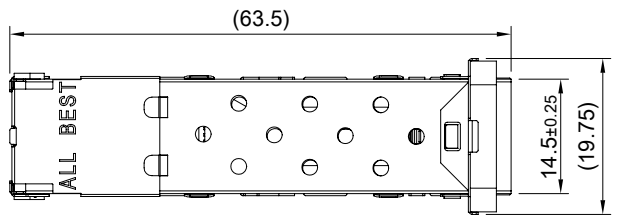


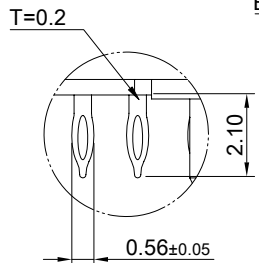
A B C D E F G H

1

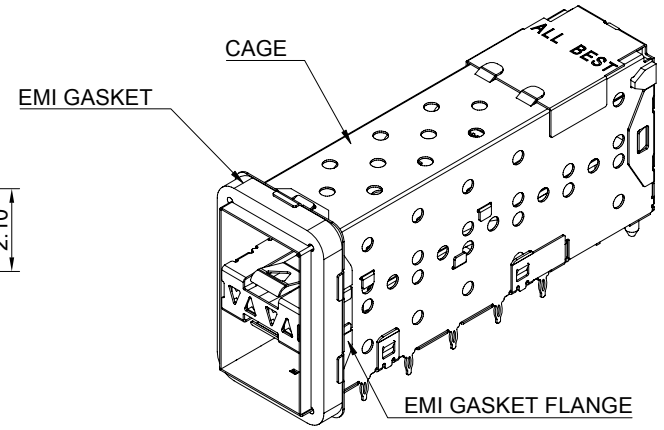
1



DETAIL A
SCALE 5:1

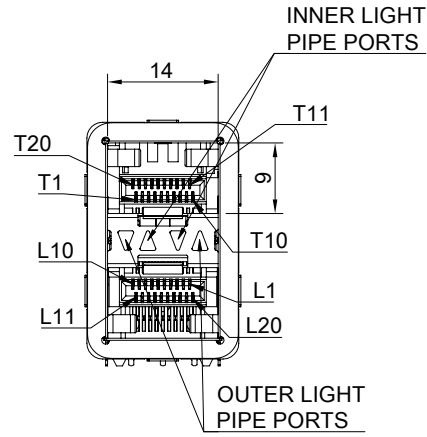
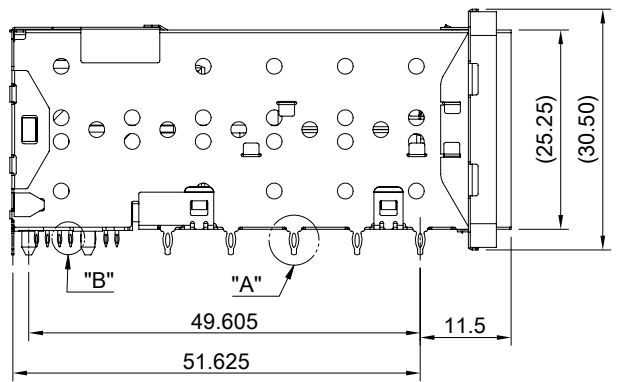


DETAIL B
SCALE 5:1



3

3



MATERIAL
 CAGE: NICKEL SILVER
 CONNECTOR: LCP 94V-0
 COPPER ALLOY
 EMI GASKET FLANGE: NICKEL SILVER
 EMI GASKET: CONDUCTIVE ELASTOMER (BLACK)
 LIGHT PIPE: PC (CLEAR)

FINISH
 CONTACT: 15μ" MIN. GOLD ON MATING END;
 30μ" MIN. MATTE TIN ON TERMINATION END;
 ALL UNDERPLATED 50μ" MIN. NICKEL

ELECTRICAL CHARACTERISTICS
 CONTACT CURRENT RATING: 0.5 AMPERE
 VOLTAGE RATING: 30 VAC
 CONTACT RESISTANCE: 80 mΩ MAX
 DIELECTRIC WITHSTANDING VOLTAGE: 300VAC

4

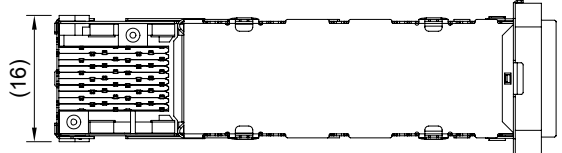
4

5

5

6

6



7

7

THIS PRINT IS
PRELIMINARY
 UNQUALIFIED PRODUCT
 CONTACT PRODUCT ENGINEERING
 BEFORE USING THIS PRINT

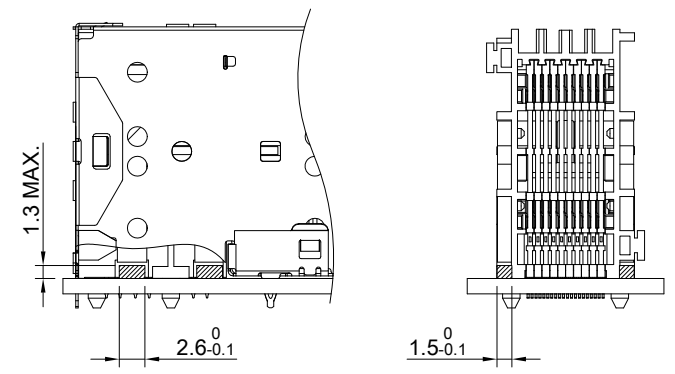
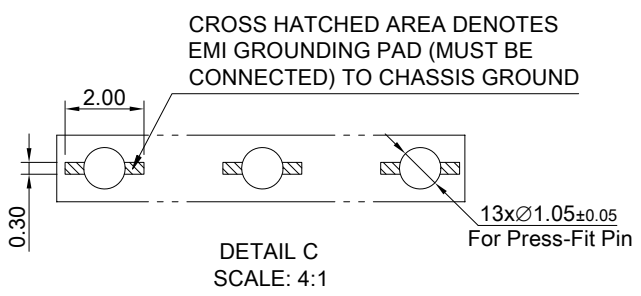
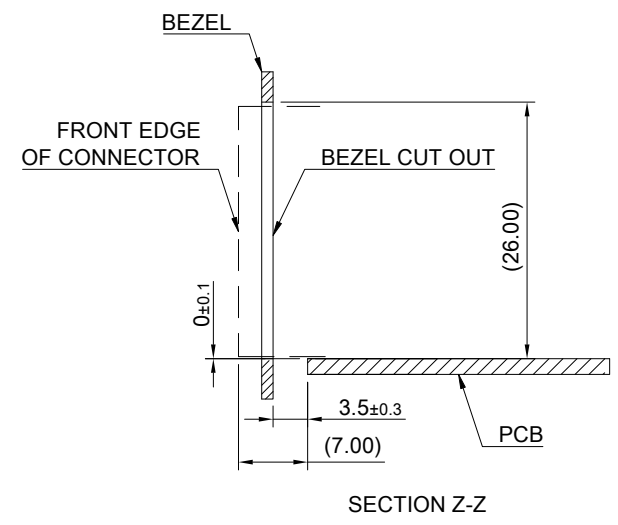
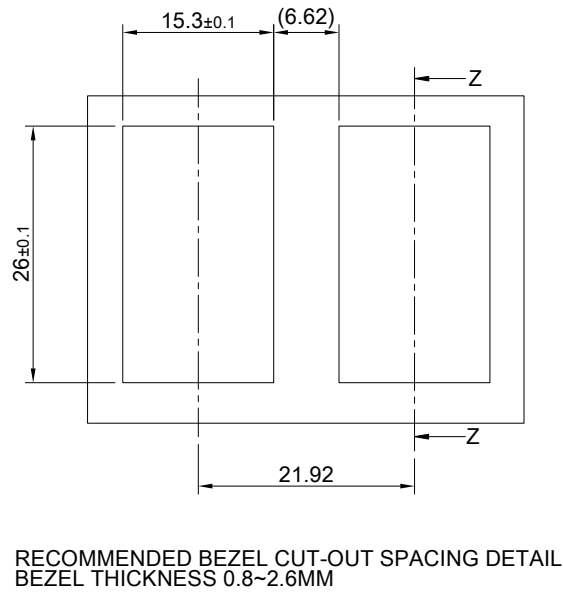
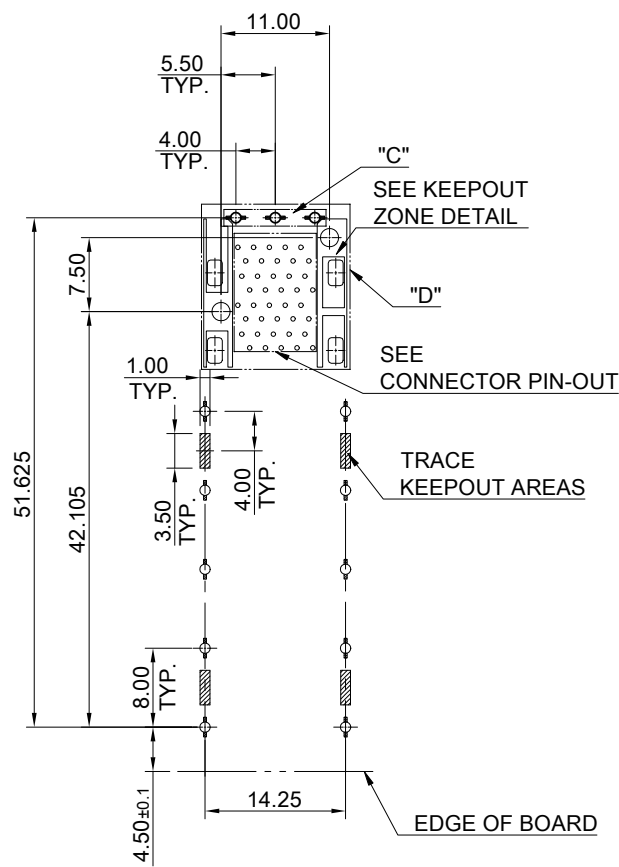


TITLE: Stacked SFP+ 2x1 ASS'Y w/ Internal Thermal Solution & Light Pipe			
DWG#: R-DP-008040-7-F-N2-06		SHEET: 1/3	REV. REF
UNIT: mm	SCALE: A4 1:1	FINISH:	
TOLERANCE: Angle: ± 1° X ± 0.25 .X ± 0.20 .XX ± 0.15		MATERIAL: RoHS Compliant	APPROVED:
THIRD ANGLE PROJECTION		DRAWN: Laura	DATE: 03/15/2024

8

8

A B C D E F G H

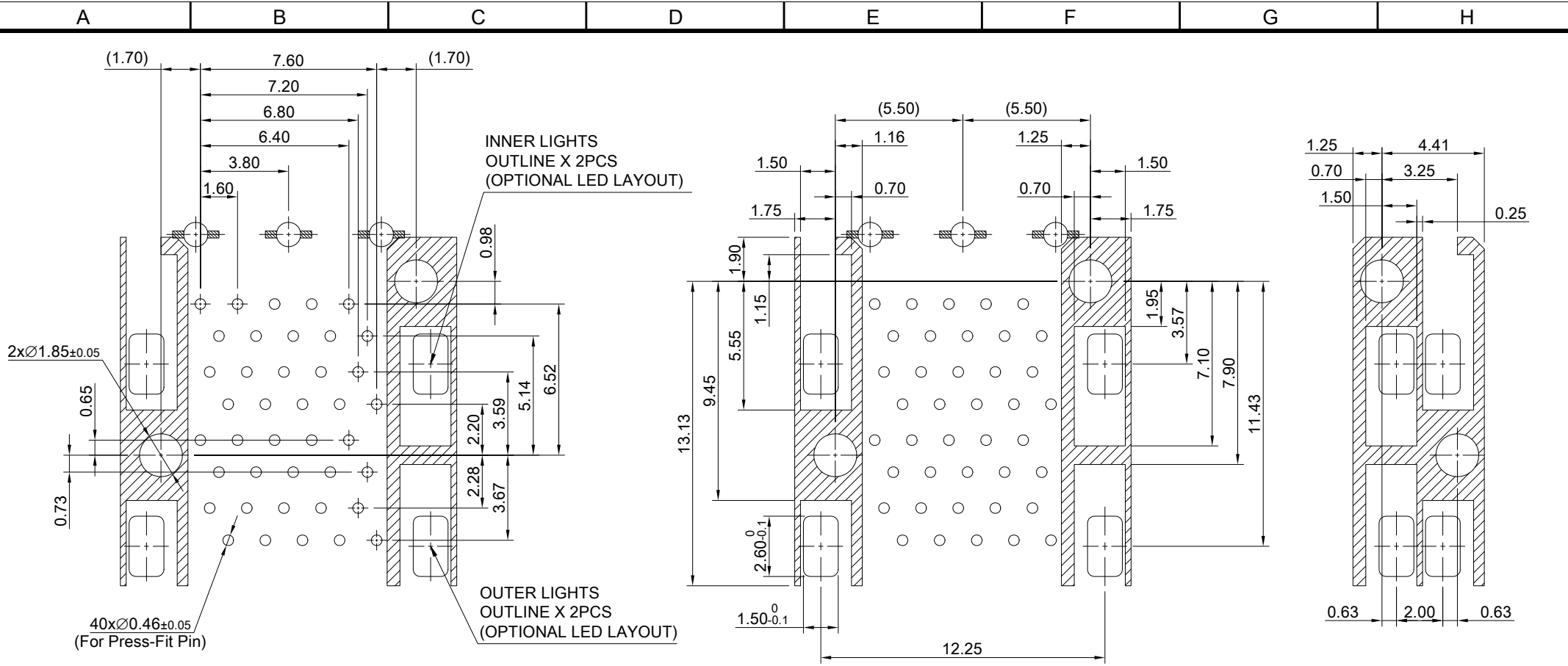


RECOMMENDED PCB LAYOUT
TOLERANCE: ± 0.05
MINIMUM PCB THICKNESS OF 1.57MM

THIS PRINT IS
PRELIMINARY
UNQUALIFIED PRODUCT
CONTACT PRODUCT ENGINEERING
BEFORE USING THIS PRINT



TITLE: Stacked SFP+ 2x1 ASS'Y w/ Internal Thermal Solution & Light Pipe			
DWG#: R-DP-008040-7-F-N2-06		SHEET: 2/3	REV. REF
UNIT: mm	SCALE: A4 5:4	FINISH:	CHECKED:
TOLERANCE: Angle: $\pm 1^\circ$ X. ± 0.15 .X ± 0.10 .XX ± 0.05		MATERIAL: RoHS Compliant	APPROVED:
THIRD ANGLE PROJECTION		DRAWN: Laura	DATE: 03/15/2024

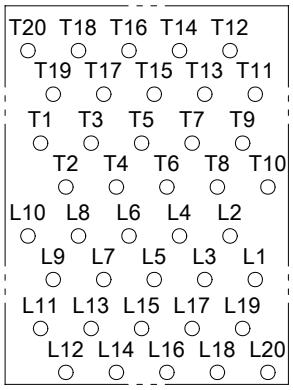


INNER LIGHTS
OUTLINE X 2PCS
(OPTIONAL LED LAYOUT)

OUTER LIGHTS
OUTLINE X 2PCS
(OPTIONAL LED LAYOUT)

KEEPOUT ZONE DETAIL

DETAIL D
TOLERANCE: ±0.05



CONNECTOR PIN OUT

THIS PRINT IS
PRELIMINARY
UNQUALIFIED PRODUCT
CONTACT PRODUCT ENGINEERING
BEFORE USING THIS PRINT



TITLE: Stacked SFP+ 2x1 ASS'Y w/ Internal Thermal Solution & Light Pipe			
DWG#: R-DP-008040-7-F-N2-06		SHEET: 3/3	REV. REF
UNIT: mm	SCALE: A4 4:1	FINISH:	
TOLERANCE: Angle: ± 1° X.± 0.15 .X± 0.10 .XX± 0.05		MATERIAL: RoHS Compliant	APPROVED:
THIRD ANGLE PROJECTION		DRAWN: Laura	DATE: 03/15/2024
CHECKED:		APPROVED:	