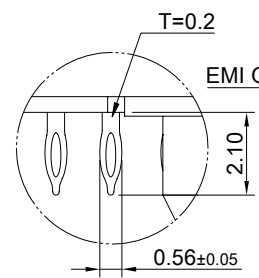
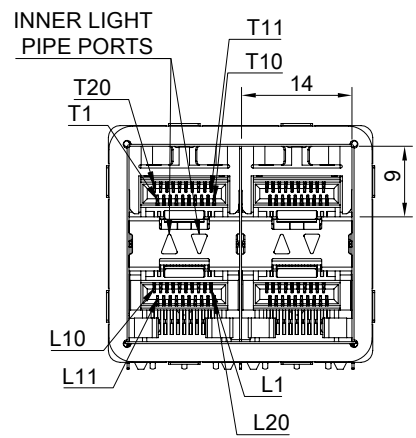
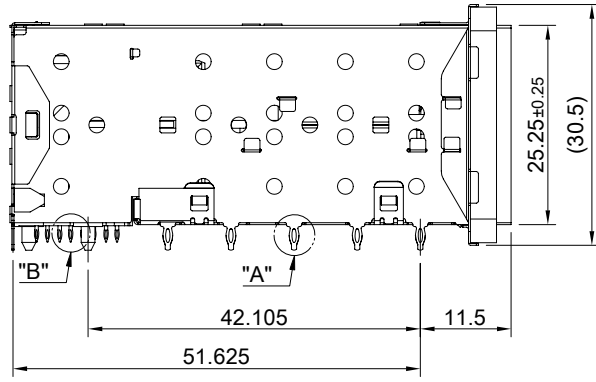
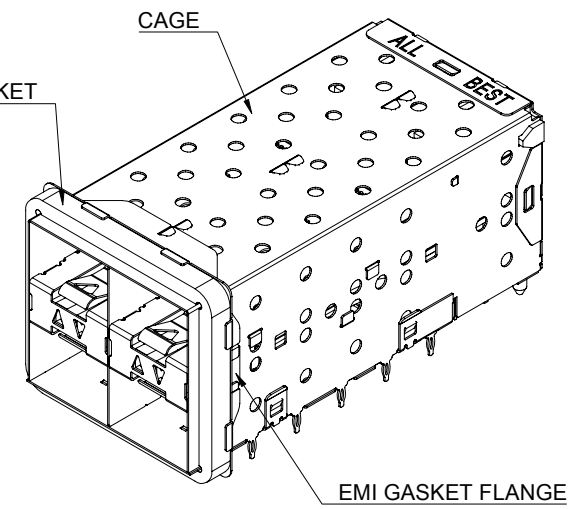


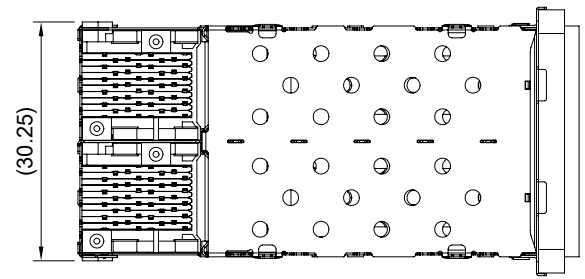
DETAIL A
SCALE 5:1



DETAIL B
SCALE 5:1



MATERIAL
 CAGE: NICKEL SILVER
 CONNECTOR: LCP 94V-0
 COPPER ALLOY
 EMI GASKET FLANGE: NICKEL SILVER
 EMI GASKET: CONDUCTIVE ELASTOMER,(BLACK)
 LIGHT PIPE: PC
FINISH
 CONTACT: 15μ" MIN. GOLD ON MATING END;
 30μ" MIN. MATTE TIN ON TERMINATION END;
 ALL UNDERPLATED 50μ" MIN. NICKEL
ELECTRICAL CHARACTERISTICS
 CONTACT CURRENT RATING: 0.5 AMPERE
 VOLTAGE RATING: 30 VAC
 CONTACT RESISTANCE: 80 mΩ MAX
 DIELECTRIC WITHSTANDING VOLTAGE: 300 VAC



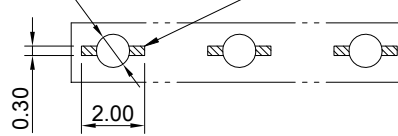
THIS PRINT IS
PRELIMINARY
 UNQUALIFIED PRODUCT
 CONTACT PRODUCT ENGINEERING
 BEFORE USING THIS PRINT



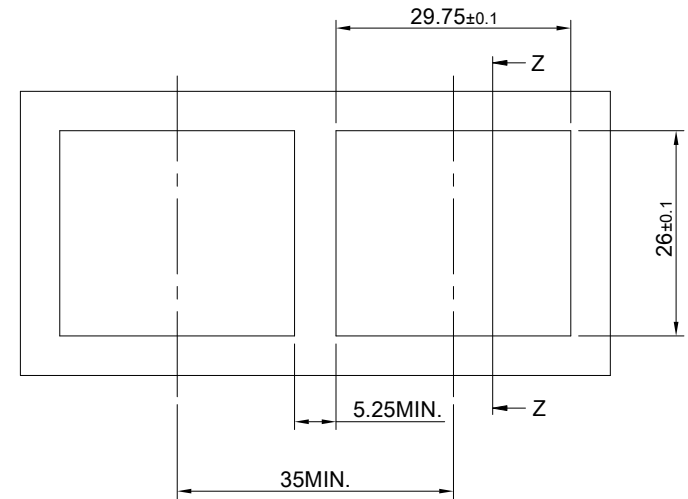
TITLE: Stacked SFP+ 2X2 ASS'Y w/ Internal Thermal Solution & Light Pipe			SHEET: 1/3		REV. REF	
DWG#: R-OP-008080-7-F-N2-36			CHECKED:		APPROVED:	
UNIT: mm	SCALE: A4 1:1	FINISH:		DATE: 03/15/2024		
TOLERANCE: Angle:± 1° X.±0.25 .X±0.20 .XX±0.15		MATERIAL: RoHS Compliant		DRAWN: Laura		

$21 \times \varnothing 1.05 \pm 0.05$
For Press-Fit Pin

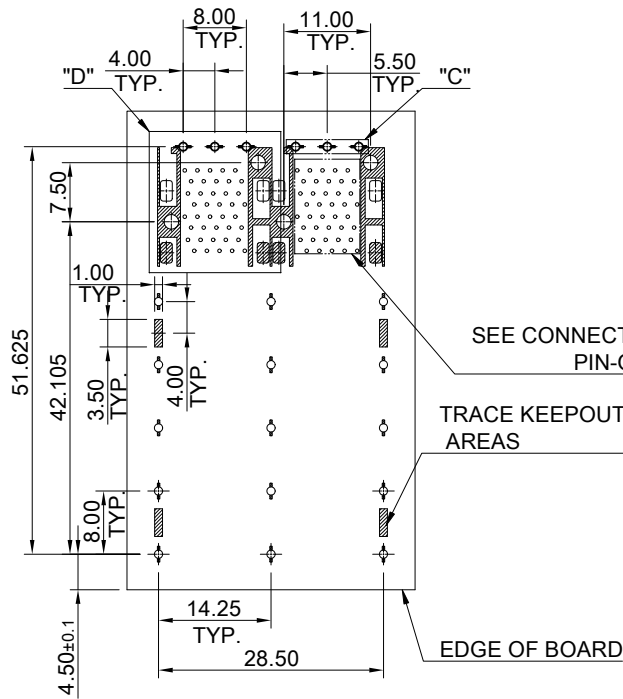
CROSS HATCHED AREA DENOTES EMI
GROUNDING PAD (MUST BE CONNECTED)
TO CHASSIS GROUND



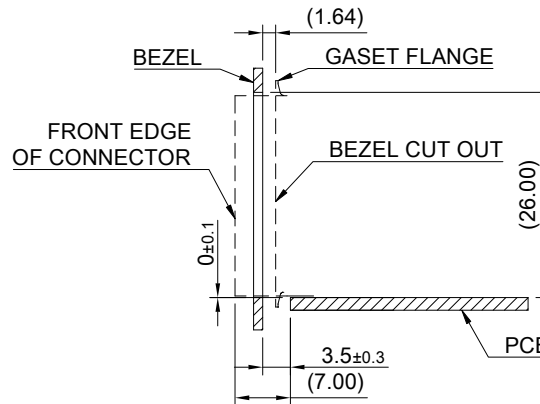
DETAIL C
SCALE 4:1



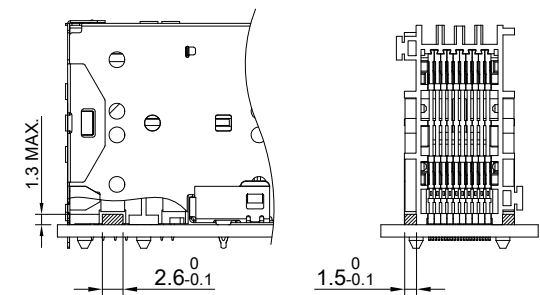
RECOMMENDED BEZEL CUT-OUT SPACING DETAIL
BEZEL THICKNESS 0.8~2.6MM



RECOMMENDED PCB LAYOUT
TOLERANCE: ± 0.05
MINIMUM PCB THICKNESS OF 1.57MM



SECTION Z-Z



LED CLEARANCE REQUIREMENTS

THIS PRINT IS
PRELIMINARY
UNQUALIFIED PRODUCT
CONTACT PRODUCT ENGINEERING
BEFORE USING THIS PRINT



TITLE: Stacked SFP+ 2X2 ASS'Y w/ Internal Thermal Solution & Light Pipe

DWG#: R-OP-008080-7-F-N2-36

SHEET: 2/3
REV. REF

UNIT: mm
SCALE: A4 1:1

FINISH:

CHECKED:

THIRD ANGLE PROJECTION

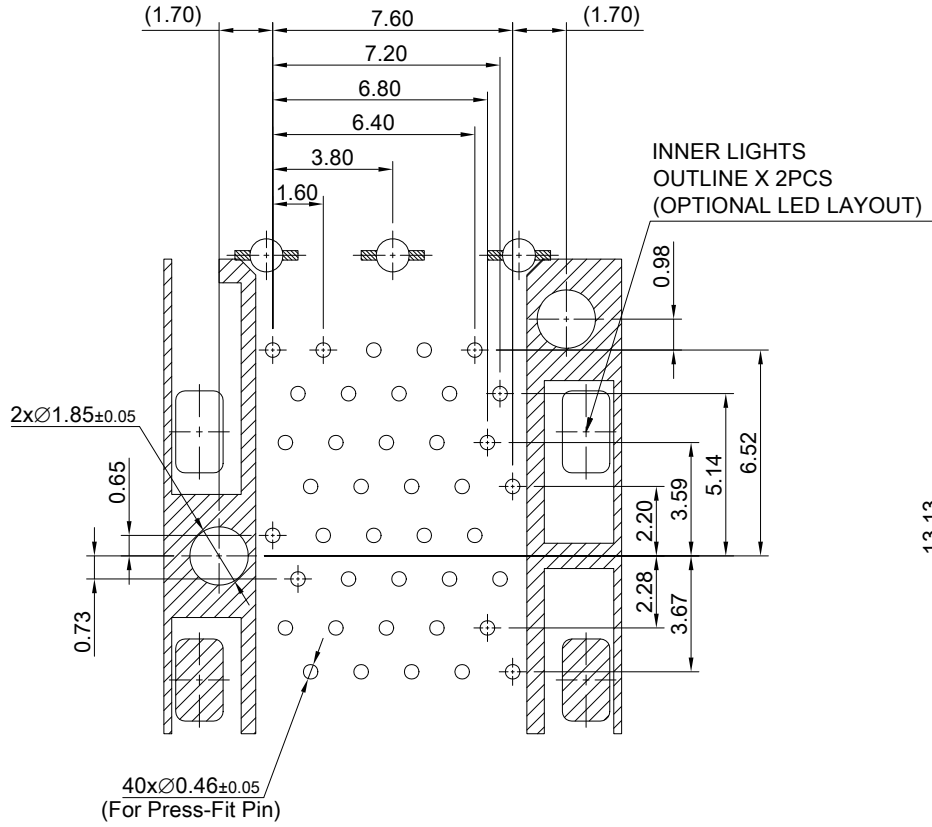
MATERIAL: RoHS Compliant

APPROVED:

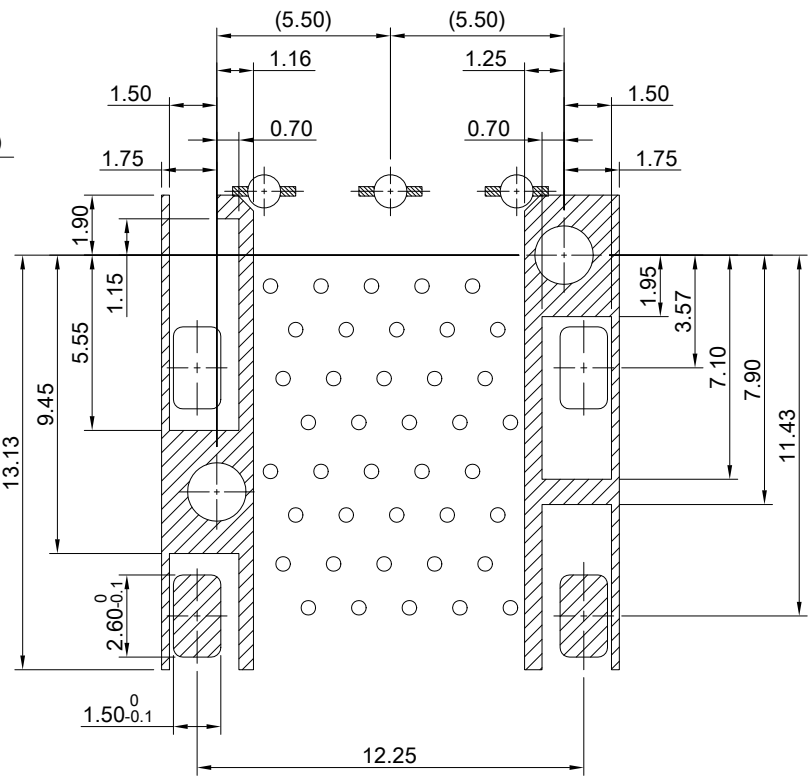
TOLERANCE: Angle: $\pm 1^\circ$
 $X. \pm 0.15$ $.X \pm 0.10$ $.XX \pm 0.05$

DRAWN: Laura

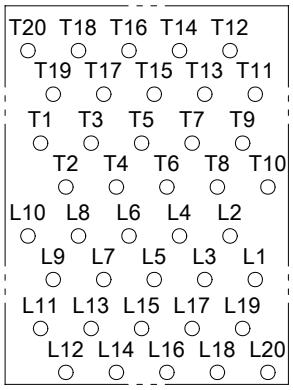
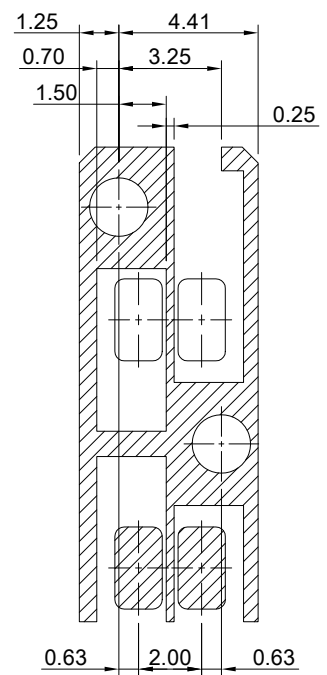
DATE: 03/15/2024



DETAIL D
TOLERANCE: ±0.05



KEEPOUT ZONE DETAIL



CONNECTOR PIN OUT

THIS PRINT IS
PRELIMINARY
UNQUALIFIED PRODUCT
CONTACT PRODUCT ENGINEERING
BEFORE USING THIS PRINT



TITLE: Stacked SFP+ 2X2 ASS'Y w/ Internal Thermal Solution & Light Pipe			
DWG#: R-OP-008080-7-F-N2-36		SHEET: 3/3	REV. REF
UNIT: mm	SCALE: A4 4:1	FINISH:	
TOLERANCE: Angle: ± 1° X.± 0.15 .X± 0.10 .XX± 0.05		MATERIAL: RoHS Compliant	APPROVED:
THIRD ANGLE PROJECTION		DRAWN: Laura	DATE: 03/15/2024
CHECKED:		APPROVED:	