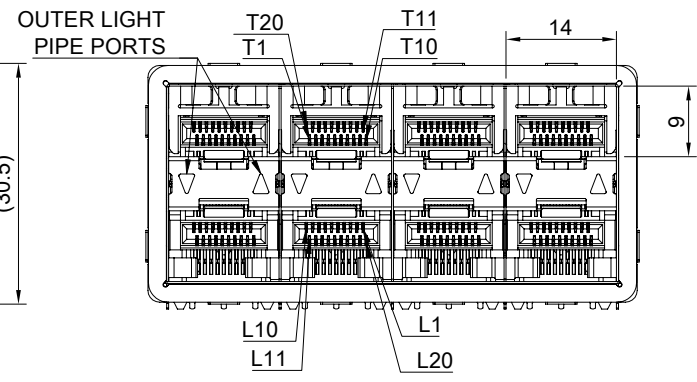
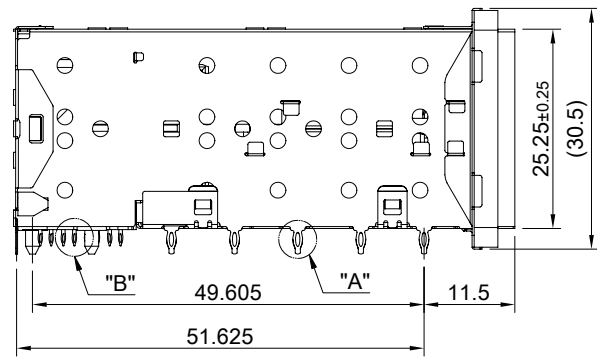
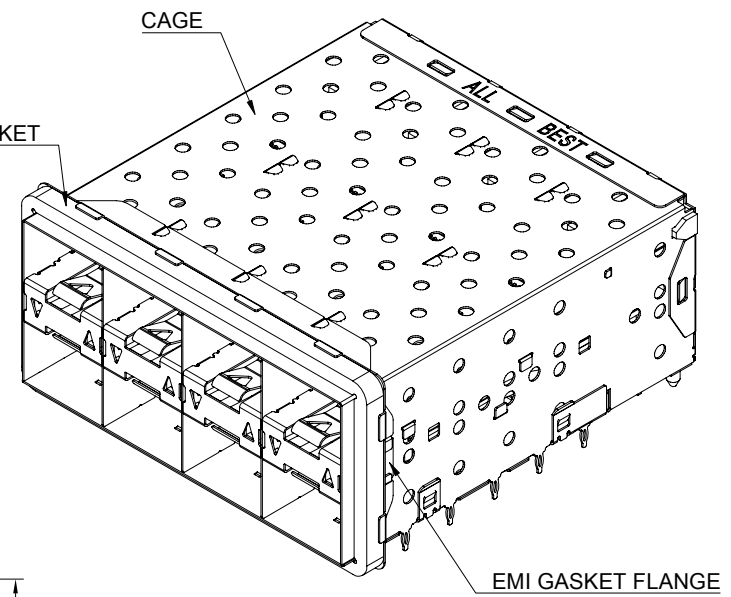


DETAIL A
SCALE: 5:1

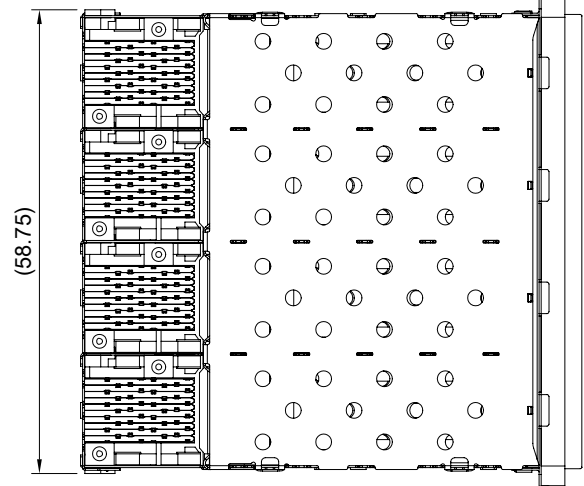
DETAIL B
SCALE: 5:1



MATERIAL
 CAGE: NICKEL SILVER
 CONNECTOR: LCP 94V-0
 COPPER ALLOY
 EMI GASKET FLANGE: NICKEL SILVER
 EMI GASKET: CONDUCTIVE ELASTOMER,(BLACK)
 LIGHT PIPE: PC

FINISH
 CONTACT: 15μ" MIN. GOLD ON MATING END;
 30μ" MIN. MATTE TIN ON TERMINATION END;
 ALL UNDERPLATED 50μ" MIN. NICKEL

ELECTRICAL CHARACTERISTICS
 CONTACT CURRENT RATING: 0.5 AMPERE
 VOLTAGE RATING: 30 VAC
 CONTACT RESISTANCE: 80 mΩ MAX
 DIELECTRIC WITHSTANDING VOLTAGE: 300 VAC



THIS PRINT IS
PRELIMINARY
 UNQUALIFIED PRODUCT
 CONTACT PRODUCT ENGINEERING
 BEFORE USING THIS PRINT

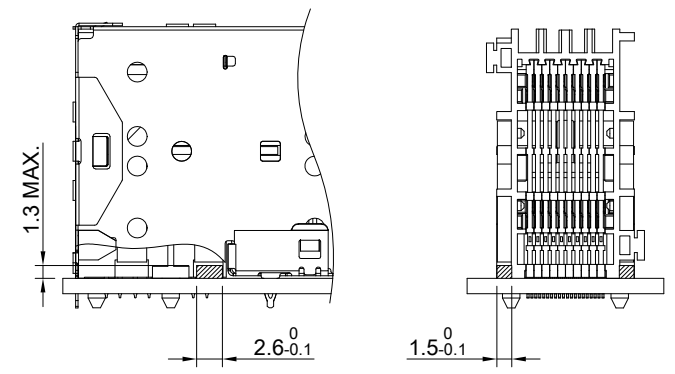
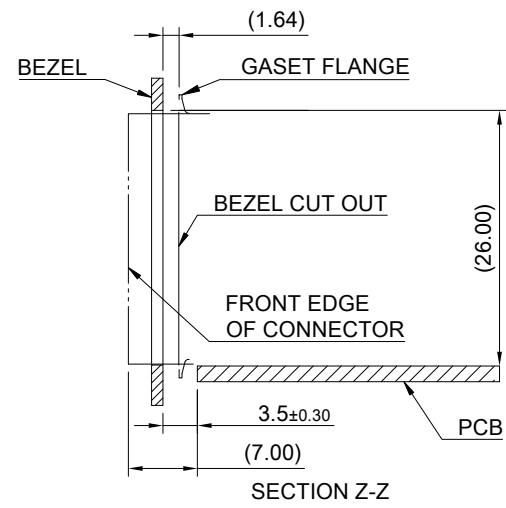
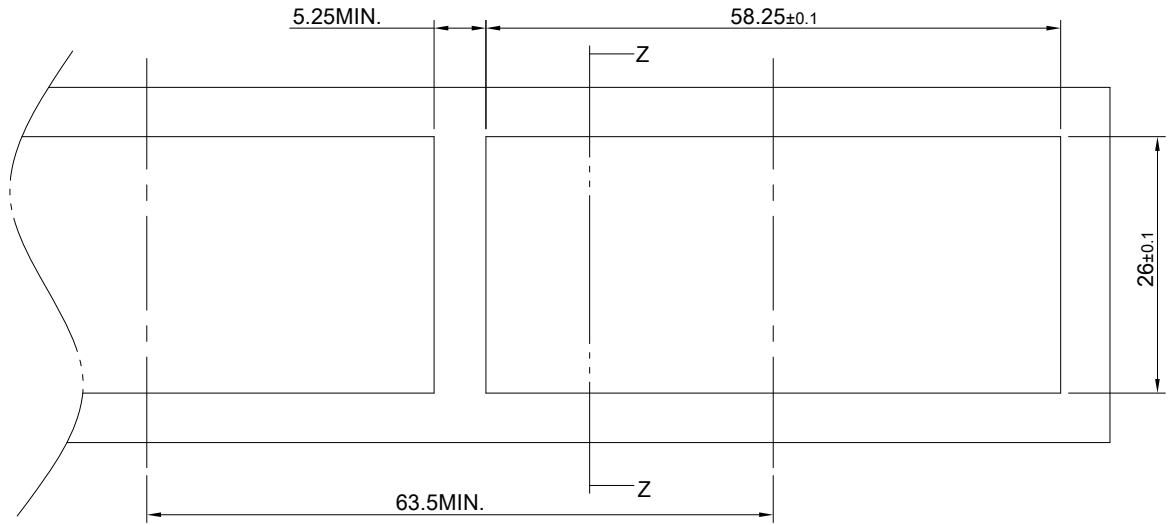
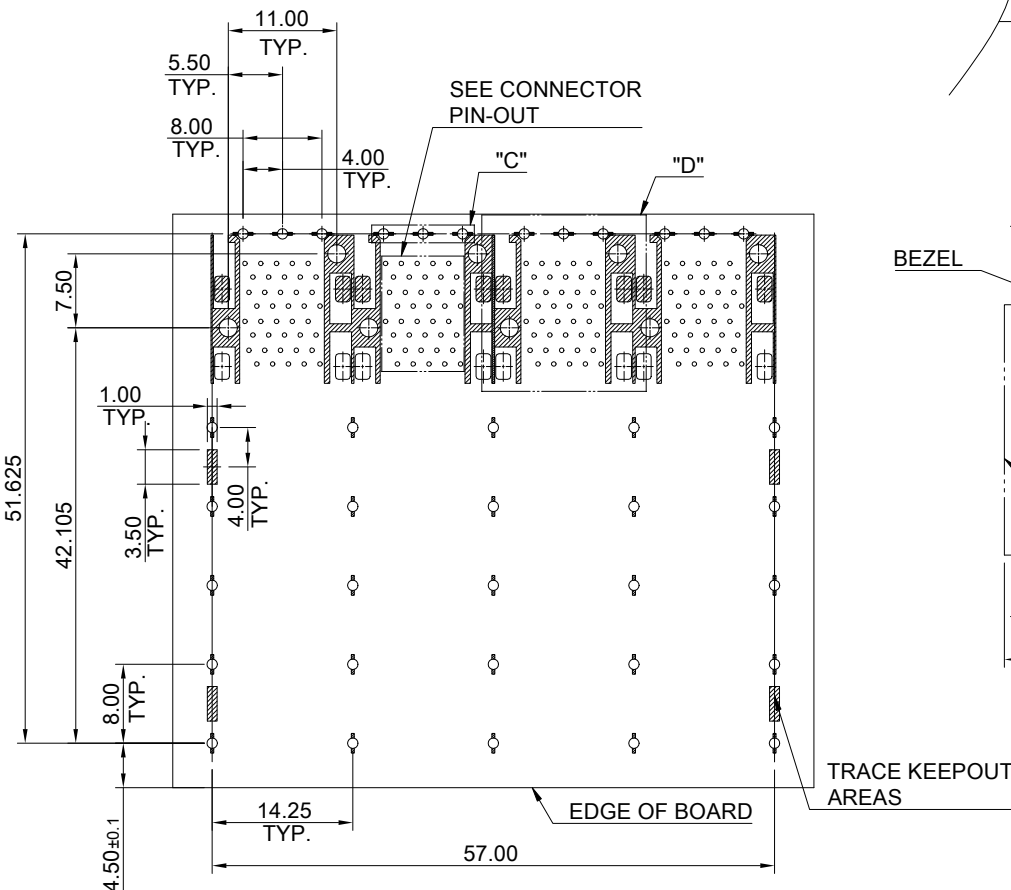
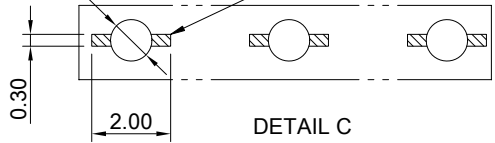


| | | | |
|---|---------------|--------------------------|------------------|
| TITLE: Stacked SFP+ 2x4 ASS'Y w/ Internal Thermal Solution & Light Pipe | | | |
| DWG#: R-OP-008160-7-F-N2-33 | | SHEET: 1/3 | REV. REF |
| UNIT: mm | SCALE: A4 1:1 | FINISH: | CHECKED: |
| TOLERANCE: Angle: ± 1° X ± 0.15 .X ± 0.10 .XX ± 0.05 | | MATERIAL: RoHS Compliant | APPROVED: |
| THIRD ANGLE PROJECTION | | DRAWN: Laura | DATE: 03/21/2024 |

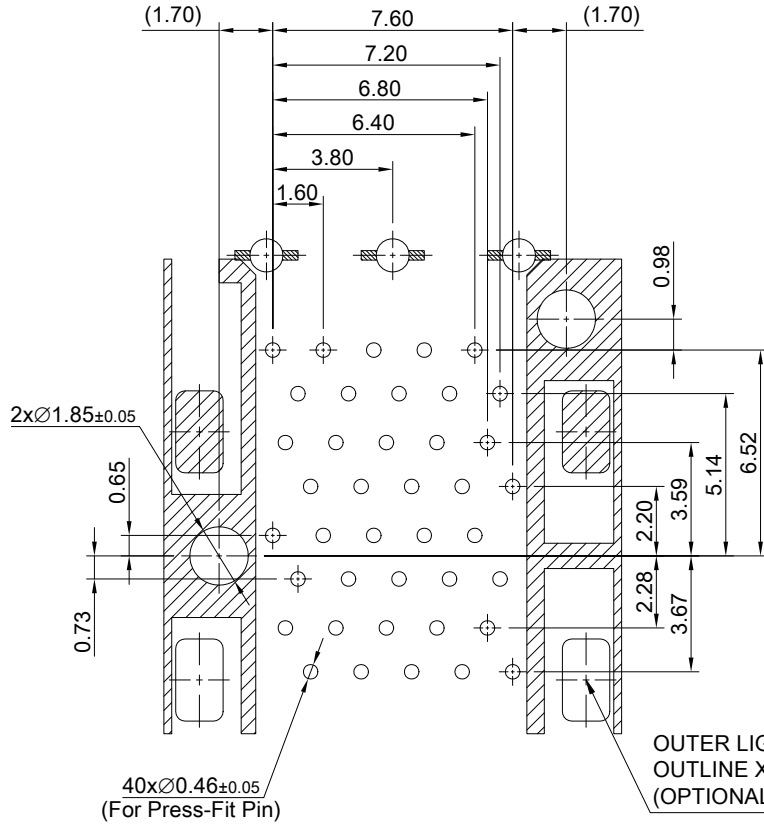
THIS PRINT IS
PRELIMINARY
 UNQUALIFIED PRODUCT
 CONTACT PRODUCT ENGINEERING
 BEFORE USING THIS PRINT

37x \varnothing 1.05 \pm 0.05
 For Press-Fit Pin

CROSS HATCHED AREA DENOTES EMI
 GROUNDING PAD (MUST BE CONNECTED)
 TO CHASSIS GROUND

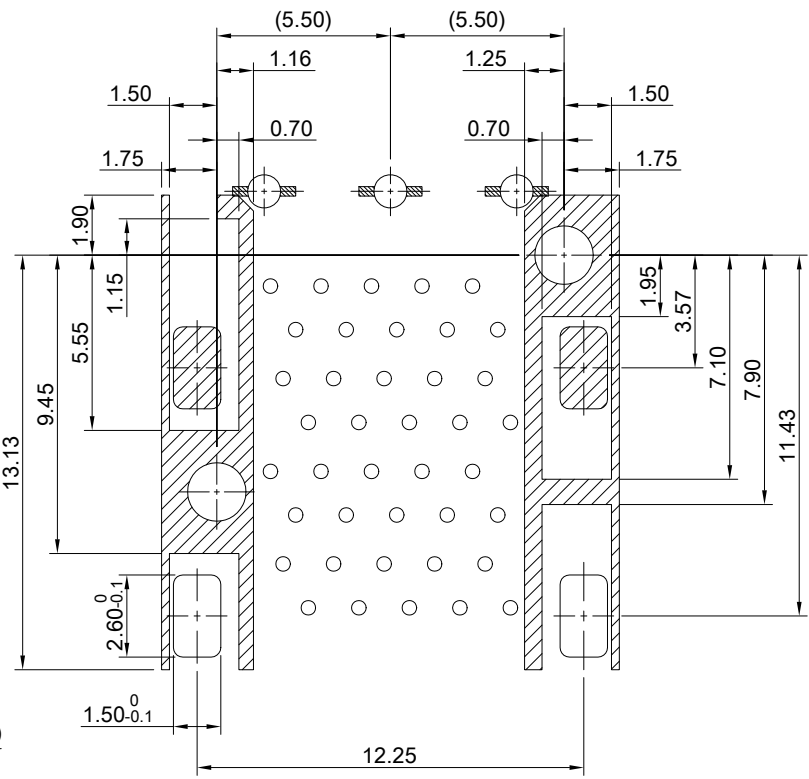


| | | | | | | |
|---|--|---------------------------------|---------------------|-------------------------|-------------------------|--|
| | TITLE: Stacked SFP+ 2x4 ASS'Y w/ Internal Thermal Solution & Light Pipe | | SHEET: 2/3 | | REV. REF | |
| | DWG#: R-OP-008160-7-F-N2-33 | | CHECKED: | | APPROVED: | |
| UNIT: mm | SCALE: A4 5:4 | FINISH: | | DATE: 03/21/2024 | | |
| TOLERANCE: Angle: \pm 1° X. \pm 0.15 .X \pm 0.10 .XX \pm 0.05 | | MATERIAL: RoHS Compliant | DRAWN: Laura | | DATE: 03/21/2024 | |

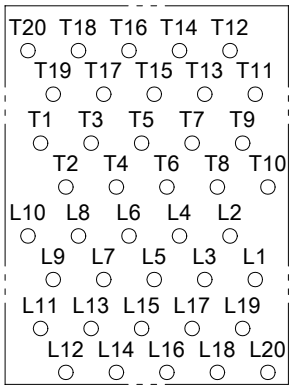
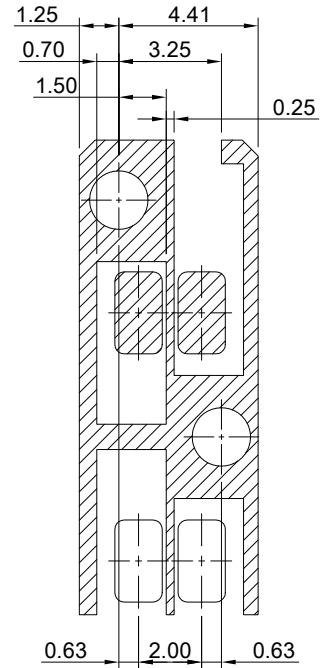


OUTER LIGHTS
OUTLINE X 2PCS
(OPTIONAL LED LAYOUT)

DETAIL D
TOLERANCE: ± 0.05



KEEPOUT ZONE DETAIL



THIS PRINT IS
PRELIMINARY
UNQUALIFIED PRODUCT
CONTACT PRODUCT ENGINEERING
BEFORE USING THIS PRINT



| | | | |
|---|---------------|--------------------------|------------------|
| TITLE: Stacked SFP+ 2x4 ASS'Y w/ Internal Thermal Solution & Light Pipe | | | |
| DWG#: R-OP-008160-7-F-N2-33 | | SHEET: 3/3 | REV. REF |
| UNIT: mm | SCALE: A4 4:1 | FINISH: | CHECKED: |
| TOLERANCE: Angle: $\pm 1^\circ$ X: ± 0.15 .X: ± 0.10 .XX: ± 0.05 | | MATERIAL: RoHS Compliant | APPROVED: |
| THIRD ANGLE PROJECTION | | DRAWN: Laura | DATE: 03/21/2024 |