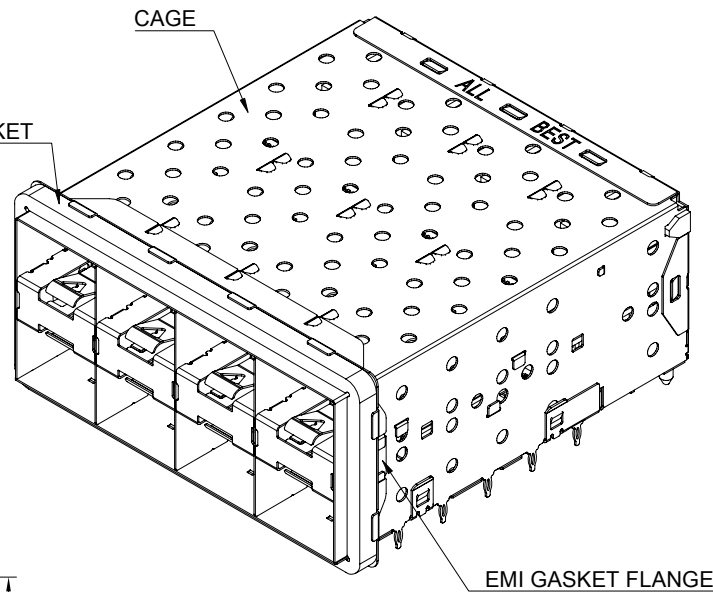
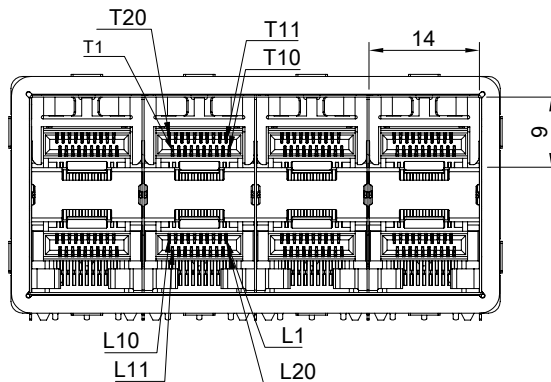


DETAIL A  
SCALE 5:1

DETAIL B  
SCALE 5:1



MATERIAL  
 CAGE: NICKEL SILVER  
 CONNECTOR: LCP 94V-0  
 COPPER ALLOY  
 EMI GASKET FLANGE: NICKEL SILVER  
 EMI GASKET: CONDUCTIVE ELASTOMER,(BLACK)

FINISH  
 CONTACT: 15μ" MIN. GOLD ON MATING END;  
 30μ" MIN. MATTE TIN ON TERMINATION END;  
 ALL UNDERPLATED 50μ" MIN. NICKEL

ELECTRICAL CHARACTERISTICS  
 CONTACT CURRENT RATING: 0.5 AMPERE  
 VOLTAGE RATING: 30 VAC  
 CONTACT RESISTANCE: 80 mΩ MAX  
 DIELECTRIC WITHSTANDING VOLTAGE: 300 VAC

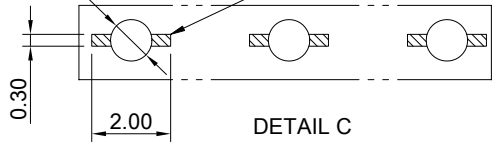
THIS PRINT IS  
**PRELIMINARY**  
 UNQUALIFIED PRODUCT  
 CONTACT PRODUCT ENGINEERING  
 BEFORE USING THIS PRINT



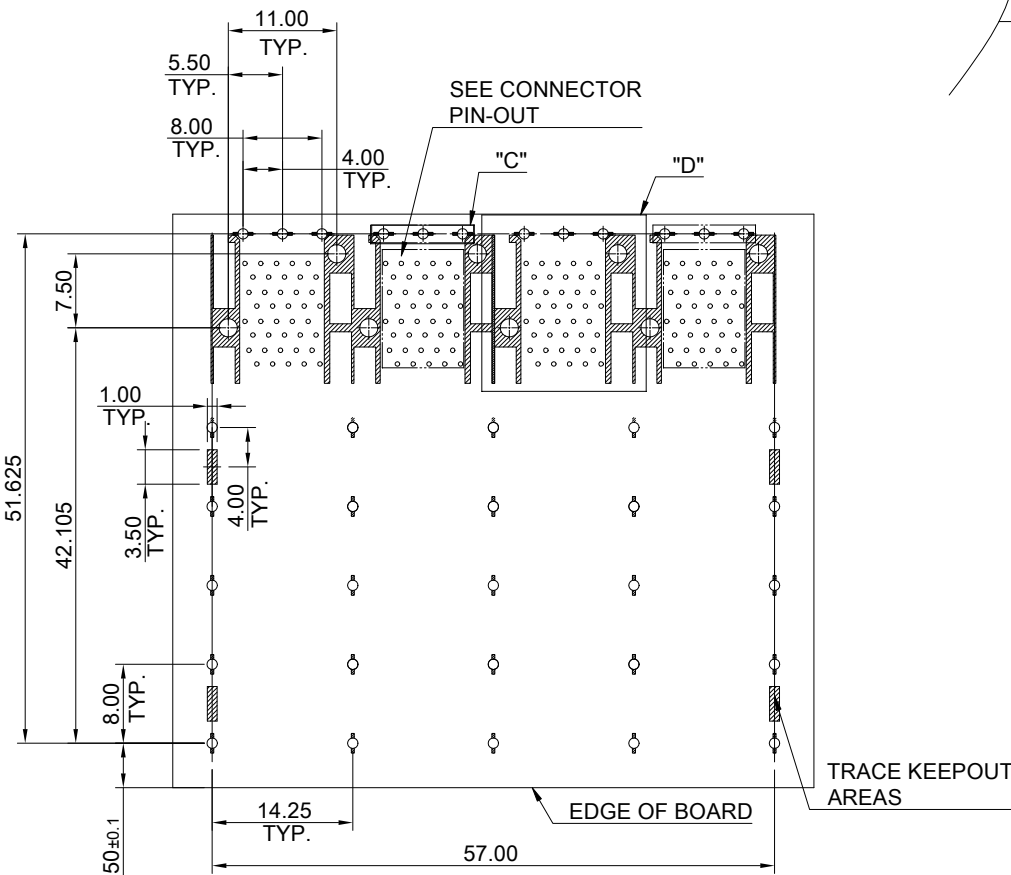
TITLE: Stacked SFP+ 2x4 ASS'Y w/ Internal Thermal Solution			
DWG#: R-OP-008160-6-F-N2-06		SHEET: 1/3	REV. REF
UNIT: mm	SCALE: A4 1:1	FINISH:	CHECKED:
TOLERANCE: Angle: ± 1°		MATERIAL: RoHS Compliant	APPROVED:
X ± 0.15 .X ± 0.10 .XX ± 0.05		DRAWN: Laura	DATE: 03/21/2024

37xØ1.05±0.05  
For Press-Fit Pin

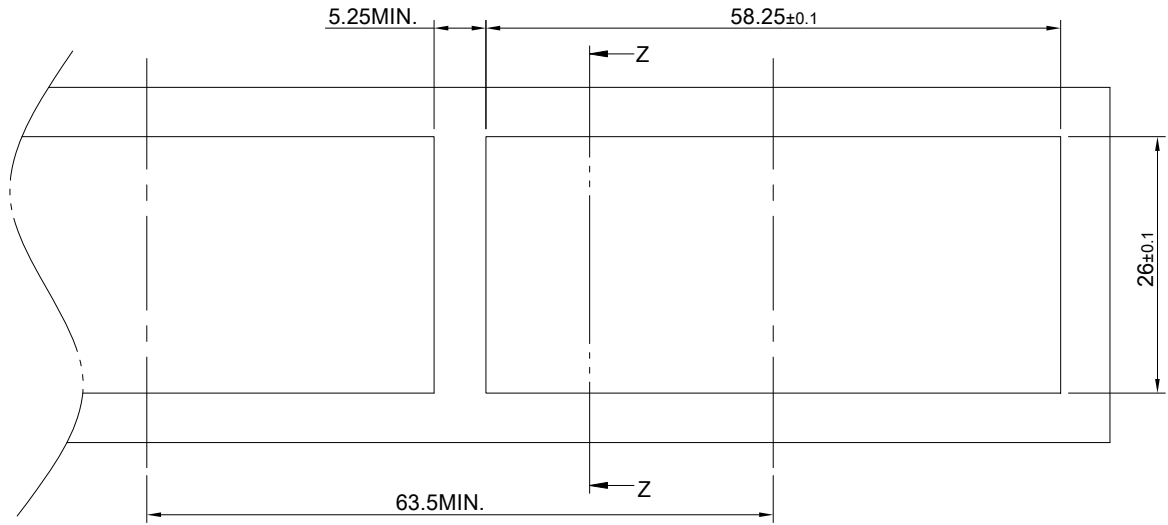
CROSS HATCHED AREA DENOTES EMI  
GROUNDING PAD (MUST BE CONNECTED  
TO CHASSIS GROUND)



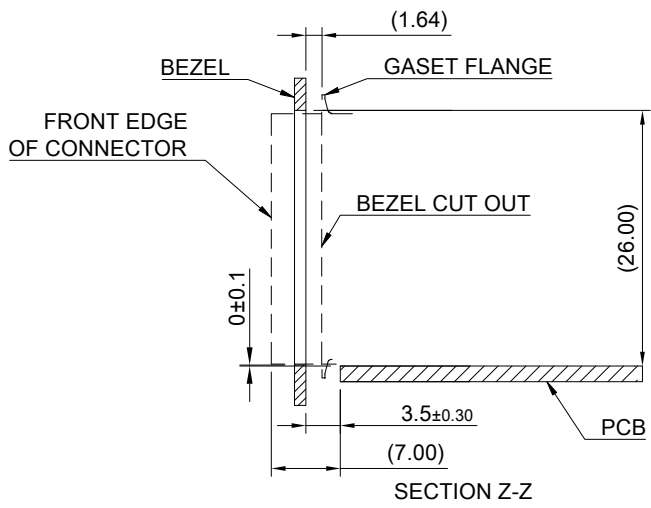
DETAIL C  
SCALE 4:1



RECOMMENDED PCB LAYOUT  
TOLERANCE: ±0.05  
MINIMUM PCB THICKNESS OF 1.57MM



RECOMMENDED CUT-OUT SPACING DETAIL  
BEZEL THICKNESS 0.8~2.6MM

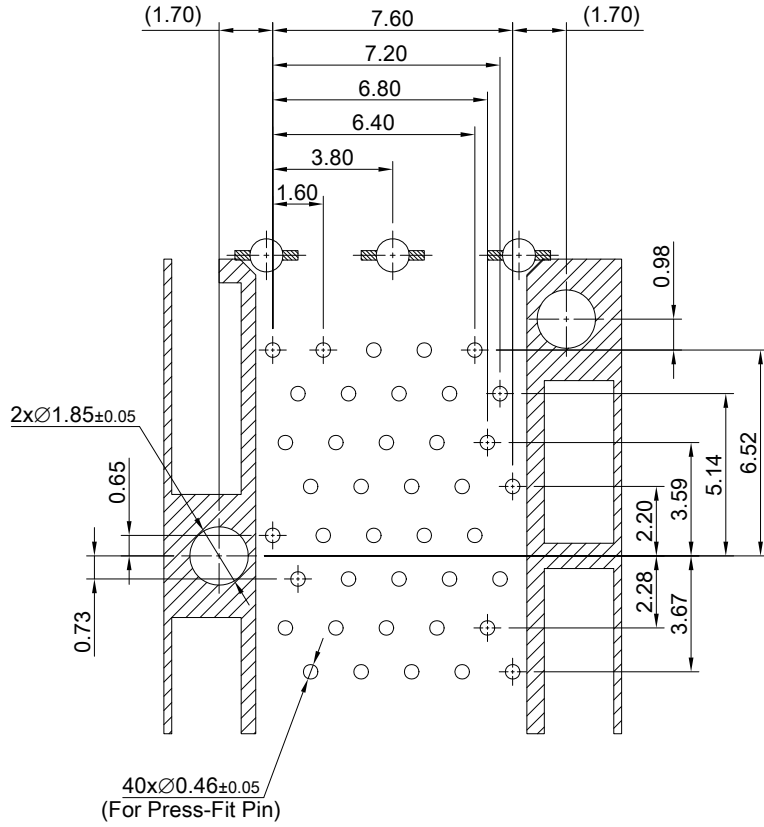


SECTION Z-Z

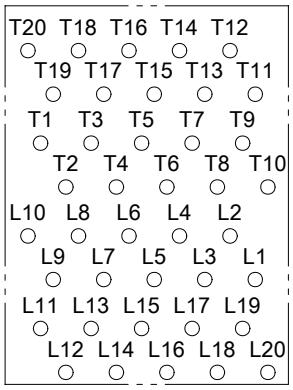
THIS PRINT IS  
**PRELIMINARY**  
UNQUALIFIED PRODUCT  
CONTACT PRODUCT ENGINEERING  
BEFORE USING THIS PRINT



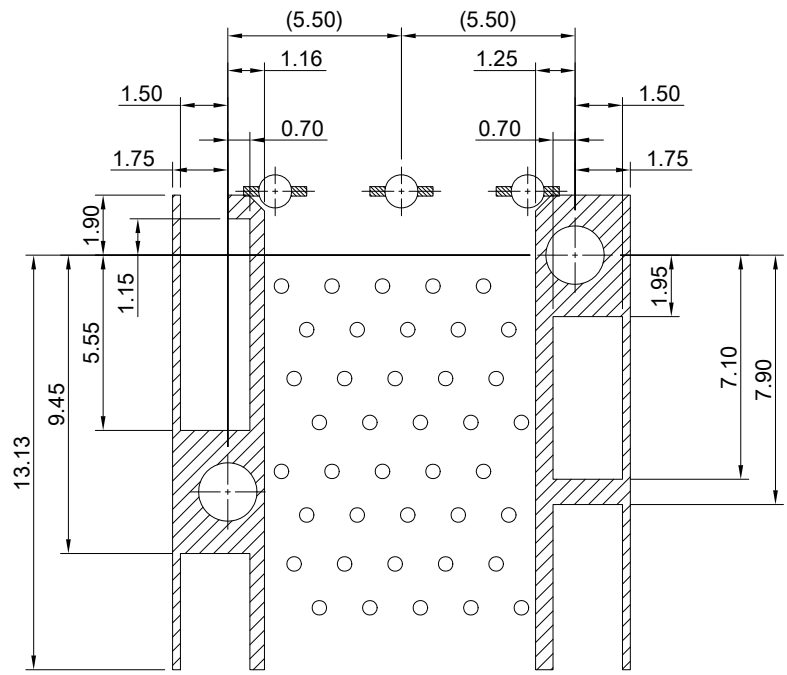
TITLE: Stacked SFP+ 2x4 ASS'Y w/ Internal Thermal Solution			
DWG#: R-OP-008160-6-F-N2-06		SHEET: 2/3	REV. REF
UNIT: mm	SCALE: A4 5:4	FINISH:	CHECKED:
TOLERANCE: Angle: ± 1° X.± 0.15 .X± 0.10 .XX± 0.05		MATERIAL: RoHS Compliant	APPROVED:
THIRD ANGLE PROJECTION		DRAWN: Laura	DATE: 03/21/2024



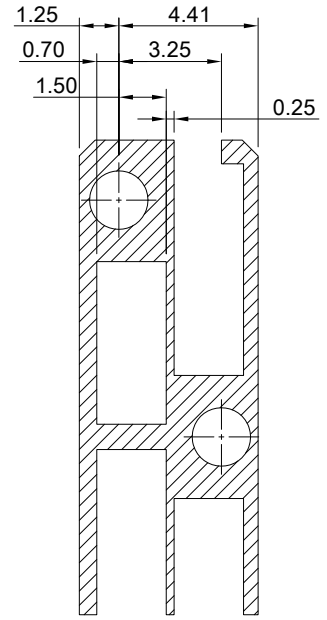
DETAIL D  
TOLERANCE: ±0.05



CONNECTOR PIN OUT



KEEPOUT ZONE DETAIL



THIS PRINT IS  
**PRELIMINARY**  
UNQUALIFIED PRODUCT  
CONTACT PRODUCT ENGINEERING  
BEFORE USING THIS PRINT



TITLE: Stacked SFP+ 2x4 ASS'Y w/ Internal Thermal Solution			
DWG#: R-OP-008160-6-F-N2-06		SHEET: 3/3	REV. REF
UNIT: mm	SCALE: A4 4:1	FINISH:	CHECKED:
TOLERANCE: Angle: ± 1° X. ± 0.15 .X ± 0.10 .XX ± 0.05		MATERIAL: RoHS Compliant	APPROVED:
THIRD ANGLE PROJECTION		DRAWN: Laura	DATE: 03/21/2024