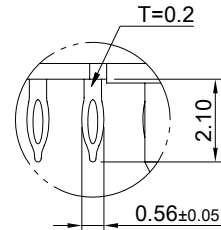
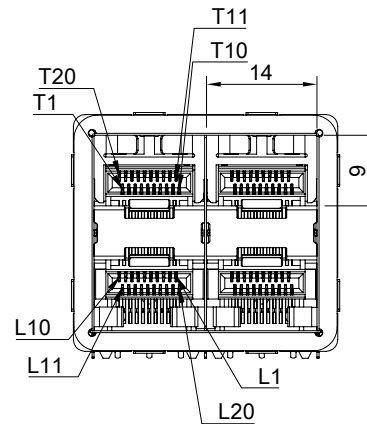
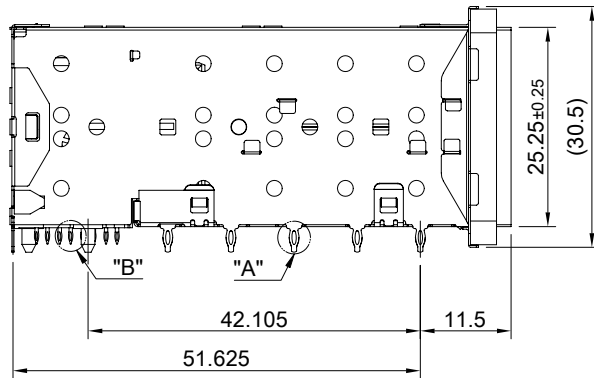
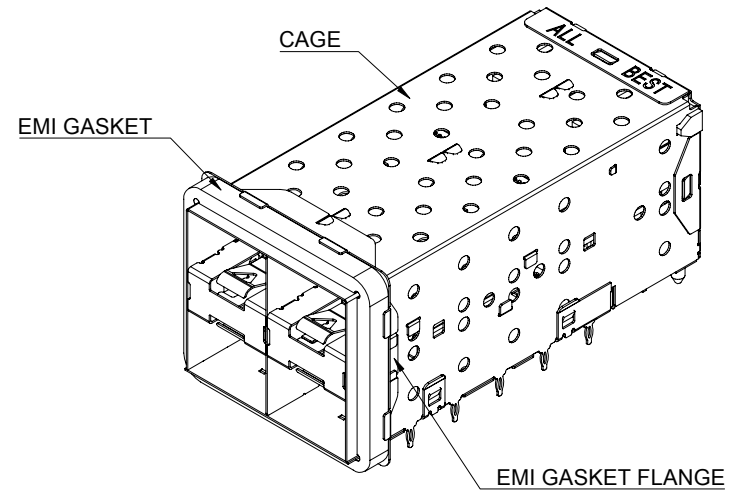


DETAIL A  
SCALE 5:1

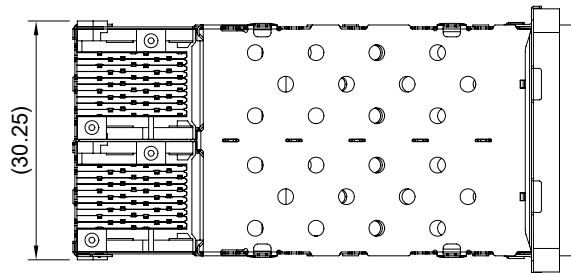


DETAIL B  
SCALE 5:1



MATERIAL  
 CAGE: NICKEL SILVER  
 CONNECTOR: LCP 94V-0  
 COPPER ALLOY  
 EMI GASKET FLANGE: NICKEL SILVER  
 EMI GASKET: CONDUCTIVE ELASTOMER,(BLACK)  
 FINISH  
 CONTACT: 15μ" MIN. GOLD ON MATING END;  
 30μ" MIN. MATTE TIN ON TERMINATION END;  
 ALL UNDERPLATED 50μ" MIN. NICKEL

ELECTRICAL CHARACTERISTICS  
 CONTACT CURRENT RATING: 0.5 AMPERE  
 VOLTAGE RATING: 30 VAC  
 CONTACT RESISTANCE: 80 mΩ MAX  
 DIELECTRIC WITHSTANDING VOLTAGE: 300 VAC



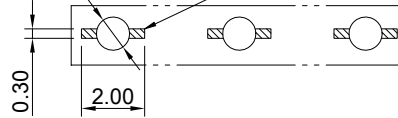
THIS PRINT IS  
**PRELIMINARY**  
 UNQUALIFIED PRODUCT  
 CONTACT PRODUCT ENGINEERING  
 BEFORE USING THIS PRINT



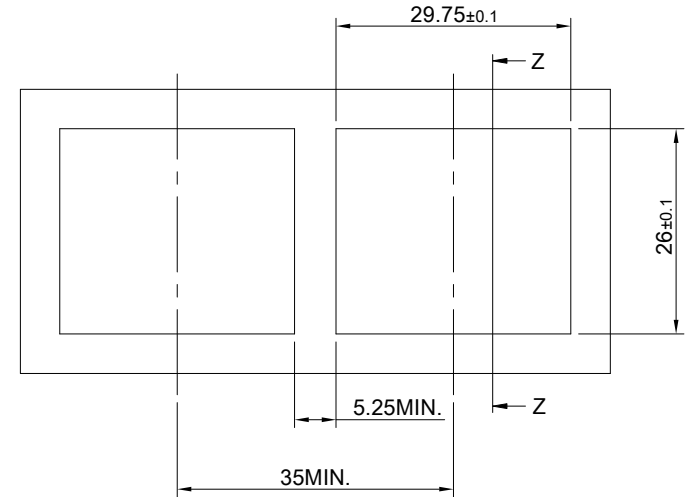
TITLE: Stacked SFP+ 2x2 ASS'Y w/ Internal Thermal Solution				
DWG#: R-OP-008080-6-F-N2-06			SHEET: 1/3	REV. REF
UNIT: mm	SCALE: A4 1:1	FINISH:		CHECKED:
TOLERANCE: Angle:± 1° X.±0.25 .X±0.20 .XX±0.15		MATERIAL: RoHS Compliant		APPROVED:
DRAWN: Laura			DATE: 03/15/2024	

21x $\varnothing$ 1.05 $\pm$ 0.05  
For Press-Fit Pin

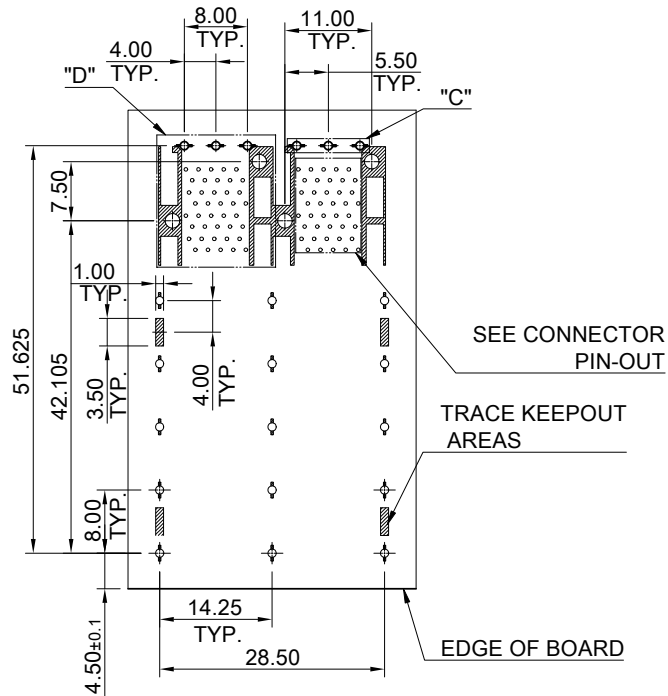
CROSS HATCHED AREA DENOTES EMI  
GROUNDING PAD (MUST BE CONNECTED)  
TO CHASSIS GROUND



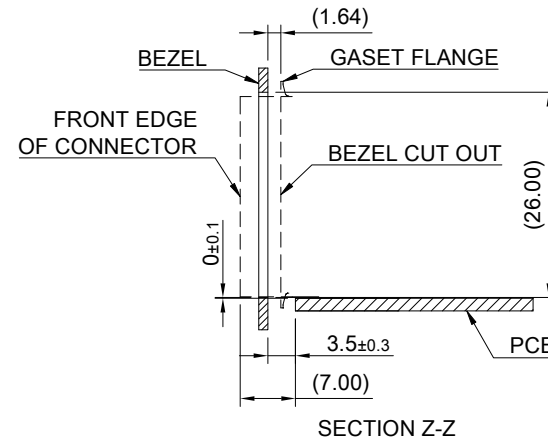
DETAIL C  
SCALE 4:1



RECOMMENDED BEZEL CUT-OUT SPACING DETAIL  
BEZEL THICKNESS 0.8~2.6MM



RECOMMENDED PCB LAYOUT  
TOLERANCE:  $\pm$  0.05  
MINIMUM PCB THICKNESS OF 1.57MM



SECTION Z-Z

THIS PRINT IS  
**PRELIMINARY**  
UNQUALIFIED PRODUCT  
CONTACT PRODUCT ENGINEERING  
BEFORE USING THIS PRINT



TITLE: Stacked SFP+ 2x2 ASS'Y w/ Internal Thermal Solution

DWG#: R-OP-008080-6-F-N2-06

SHEET: 2/3  
REV. REF

UNIT: mm

SCALE: A4 1:1

FINISH:

CHECKED:

THIRD ANGLE PROJECTION

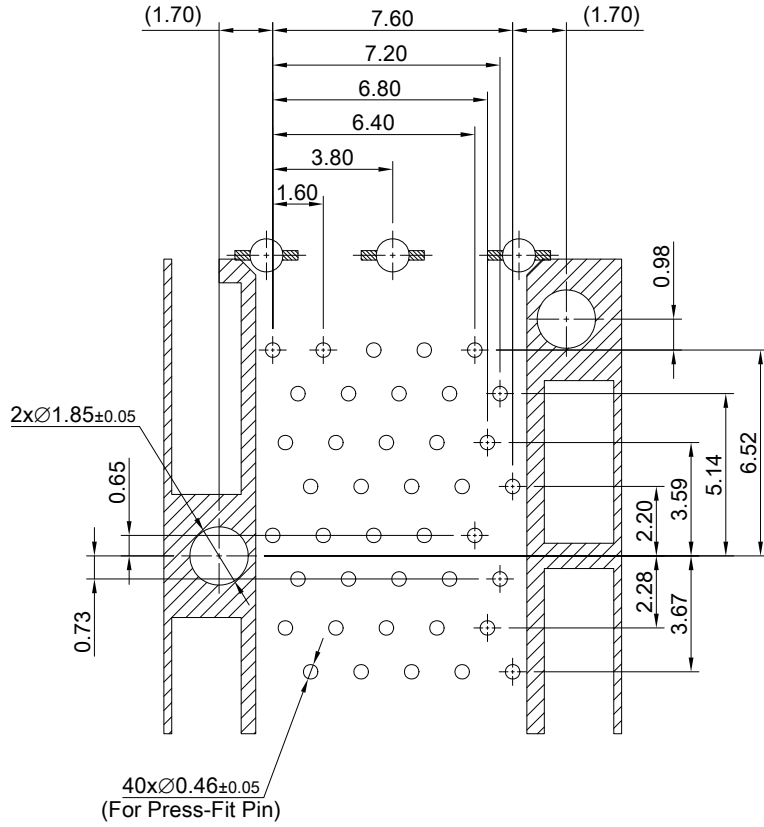
MATERIAL: RoHS Compliant

APPROVED:

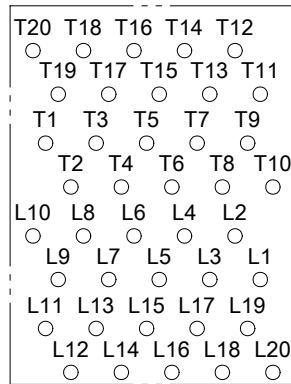
TOLERANCE: Angle:  $\pm$  1°  
X:  $\pm$  0.15 .X:  $\pm$  0.10 .XX:  $\pm$  0.05

DRAWN: Laura

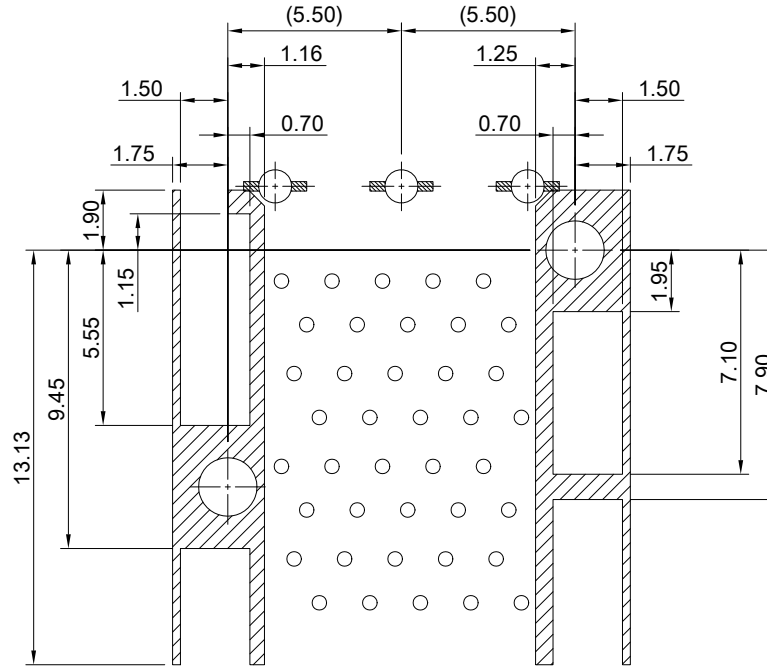
DATE: 03/15/2024



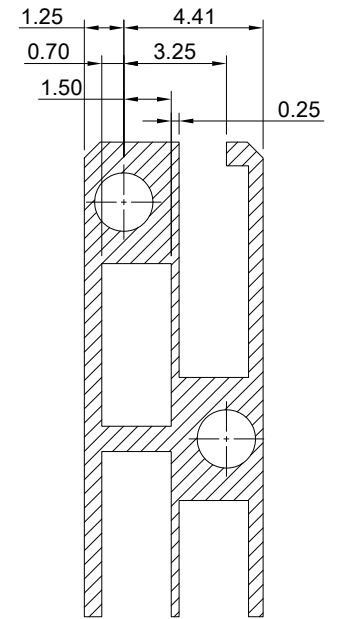
DETAIL D  
TOLERANCE: ±0.05



CONNECTOR PIN OUT



KEEPOUT ZONE DETAIL



THIS PRINT IS  
**PRELIMINARY**  
UNQUALIFIED PRODUCT  
CONTACT PRODUCT ENGINEERING  
BEFORE USING THIS PRINT



**ALL BEST  
ELECTRONICS  
CO., LTD.**

TITLE: Stacked SFP+ 2x2 ASS'Y w/ Internal Thermal Solution			
DWG#: R-OP-008080-6-F-N2-06		SHEET: 3/3	REV. REF
UNIT: mm	SCALE: A4 4:1	FINISH:	CHECKED:
TOLERANCE: Angle: ± 1° X. ± 0.15 .X ± 0.10 .XX ± 0.05		MATERIAL: RoHS Compliant	APPROVED:
THIRD ANGLE PROJECTION		DRAWN: Laura	DATE: 03/15/2024