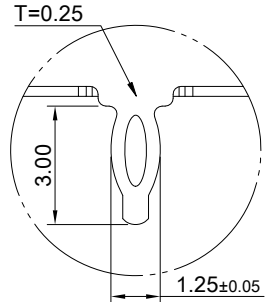
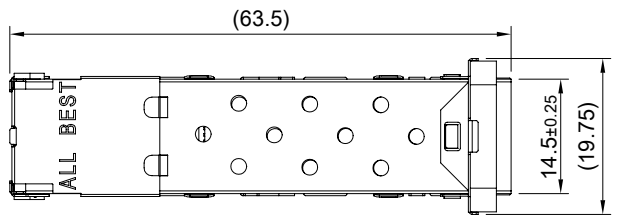
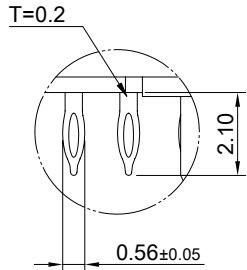


A B C D E F G H

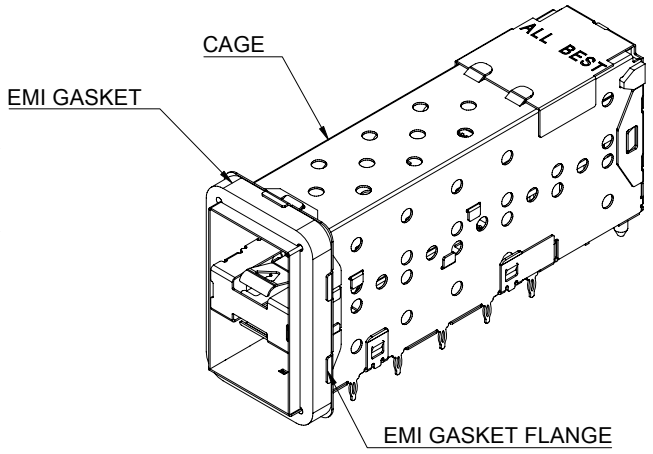
1



DETAIL A
SCALE 5:1



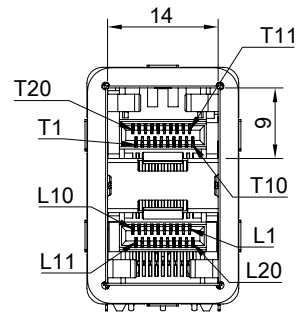
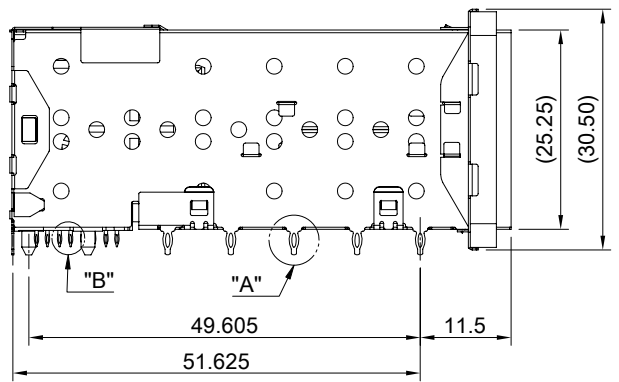
DETAIL B
SCALE 5:1



2

3

4



MATERIAL
 CAGE: NICKEL SILVER
 CONNECTOR: LCP 94V-0
 COPPER ALLOY
 EMI GASKET FLANGE: NICKEL SILVER
 EMI GASKET: CONDUCTIVE ELASTOMER (BLACK)

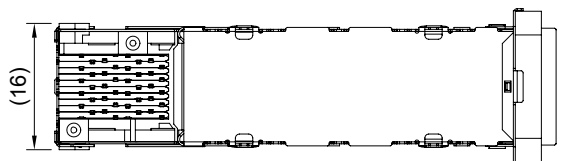
FINISH
 CONTACT: 15µ" MIN. GOLD ON MATING END;
 30µ" MIN. MATTE TIN ON TERMINATION END;
 ALL UNDERPLATED 50µ" MIN. NICKEL

ELECTRICAL CHARACTERISTICS
 CONTACT CURRENT RATING: 0.5 AMPERE
 VOLTAGE RATING: 30 VAC
 CONTACT RESISTANCE: 80 mΩ MAX
 DIELECTRIC WITHSTANDING VOLTAGE: 300 VAC

5

6

7



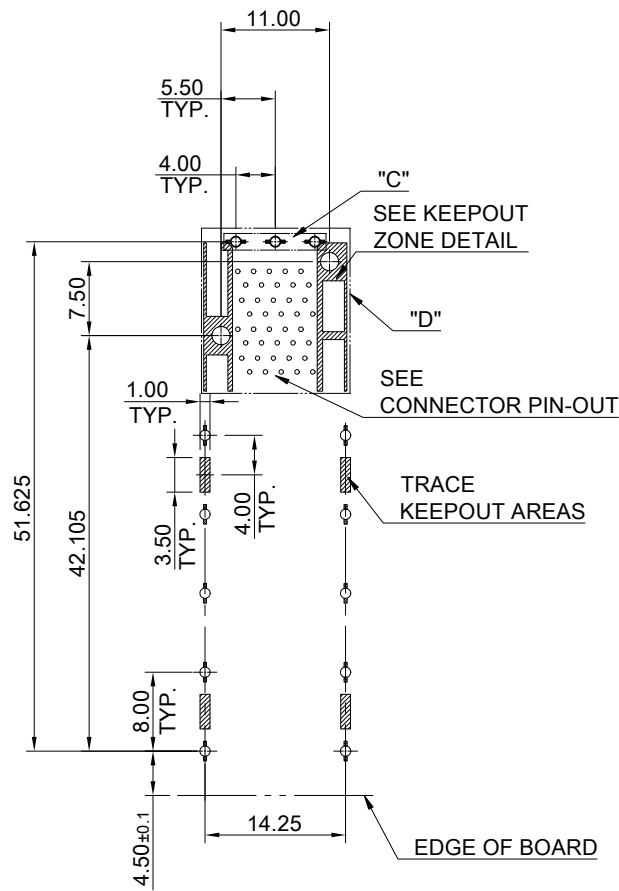
8

THIS PRINT IS
PRELIMINARY
 UNQUALIFIED PRODUCT
 CONTACT PRODUCT ENGINEERING
 BEFORE USING THIS PRINT

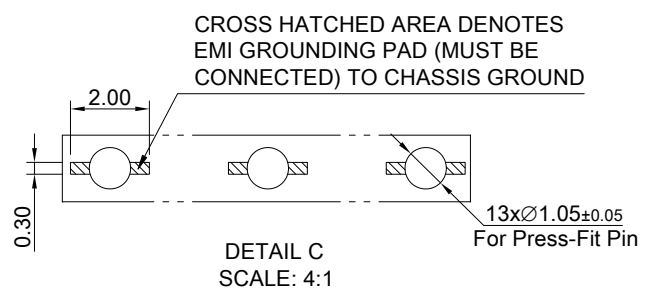
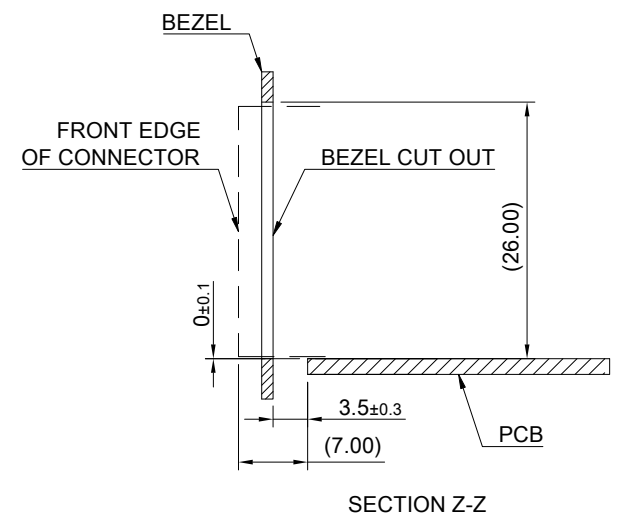
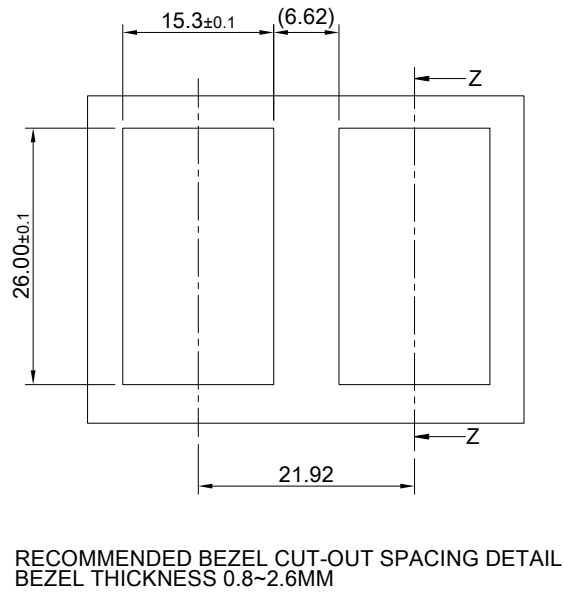


TITLE: Stacked SFP+ 2x1 ASS'Y w/ Internal Thermal Solution				
DWG#: R-DP-008040-6-F-N2-06			SHEET: 1/3	REV. REF
UNIT: mm	SCALE: A4 1:1	FINISH:		CHECKED:
TOLERANCE: Angle: ± 1° X.± 0.25 .X± 0.20 .XX± 0.15		MATERIAL: RoHS Compliant		APPROVED:
DRAWN: Laura			DATE: 03/14/2024	

A B C D E F G H

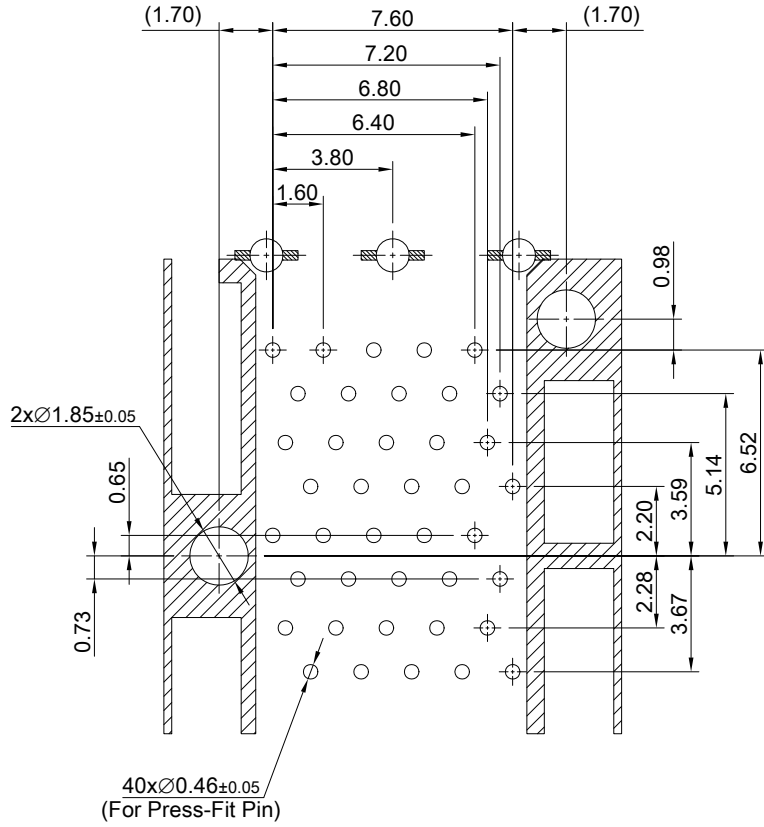


RECOMMENDED PCB LAYOUT
 TOLERANCE: ±0.05
 MINIMUM PCB THICKNESS OF 1.57MM

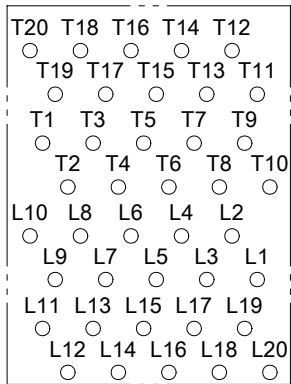


THIS PRINT IS
PRELIMINARY
 UNQUALIFIED PRODUCT
 CONTACT PRODUCT ENGINEERING
 BEFORE USING THIS PRINT

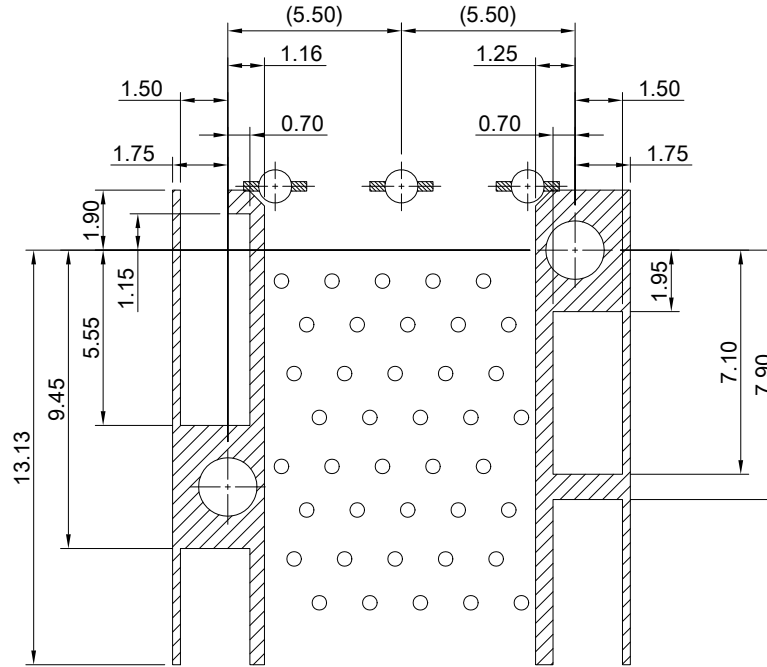
		TITLE: Stacked SFP+ 2x1 ASS'Y w/ Internal Thermal Solution	
		DWG#: R-DP-008040-6-F-N2-06	SHEET: 2/3 REV. REF
UNIT: mm	SCALE: A4 5:4	FINISH:	CHECKED:
THIRD ANGLE PROJECTION		MATERIAL: RoHS Compliant	APPROVED:
TOLERANCE: Angle: ± 1° X. ± 0.15 .X ± 0.10 .XX ± 0.05		DRAWN: Laura	DATE: 03/14/2024



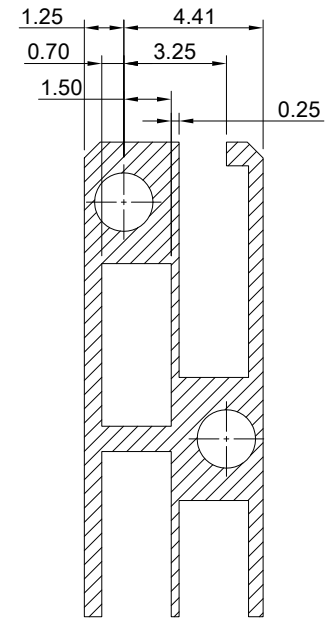
DETAIL D
TOLERANCE: ±0.05



CONNECTOR PIN OUT



KEEPOUT ZONE DETAIL



THIS PRINT IS
PRELIMINARY
UNQUALIFIED PRODUCT
CONTACT PRODUCT ENGINEERING
BEFORE USING THIS PRINT



TITLE: Stacked SFP+ 2x1 ASS'Y w/ Internal Thermal Solution				
DWG#: R-DP-008040-6-F-N2-06			SHEET: 3/3	REV. REF
UNIT: mm	SCALE: A4 4:1	FINISH: M/T	CHECKED:	
TOLERANCE: Angle: ± 1° X. ± 0.15 .X ± 0.10 .XX ± 0.05		THIRD ANGLE PROJECTION	MATERIAL: RoHS Compliant	
DRAWN: Laura			APPROVED:	
			DATE: 03/14/2024	