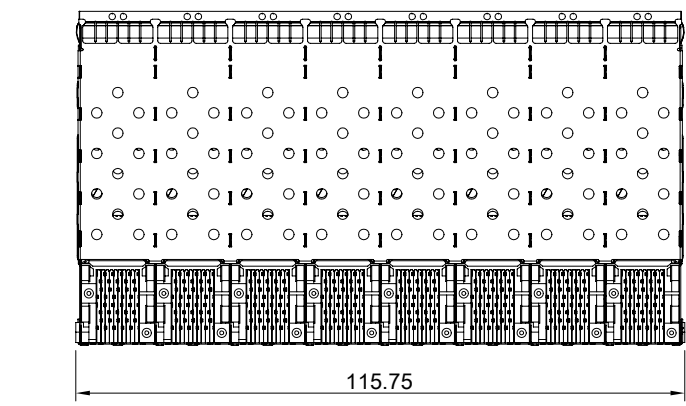
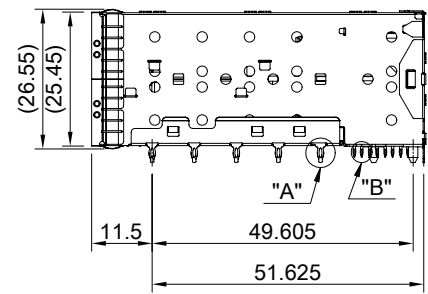
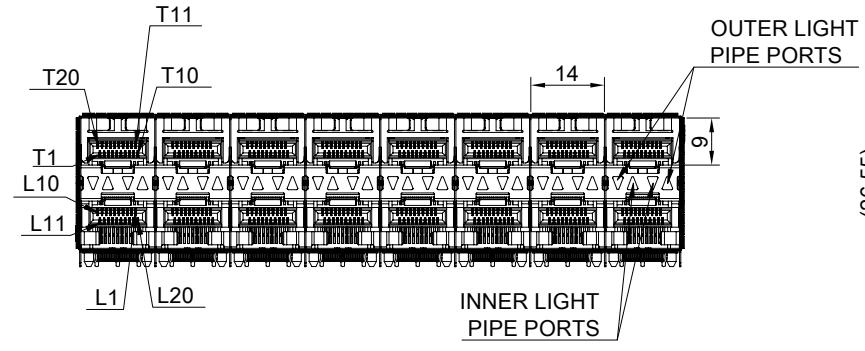
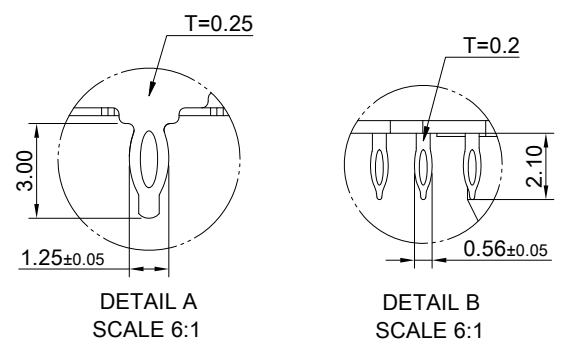
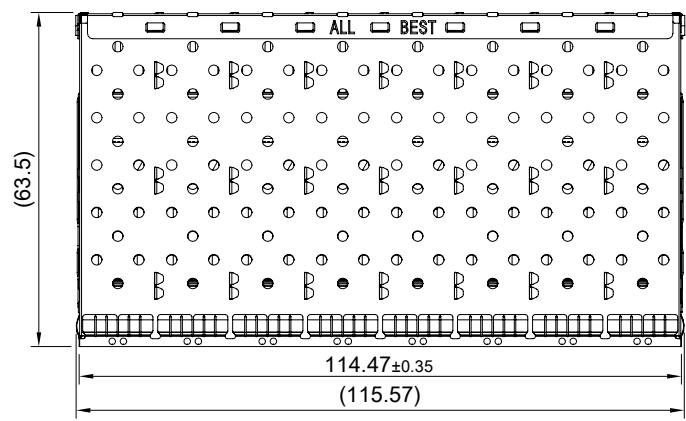


MATERIAL
 CAGE: NICKEL SILVER
 CONNECTOR: LCP 94V-0
 COPPER ALLOY
 EMI SPRING: STAINLESS STEEL
 LIGHT PIPE: PC (CLEAR)

FINISH
 CONTACT: 15µ" MIN. GOLD ON MATING END;
 30µ" MIN. MATTE TIN ON TERMINATION END;
 ALL UNDERPLATED 50µ" MIN. NICKEL

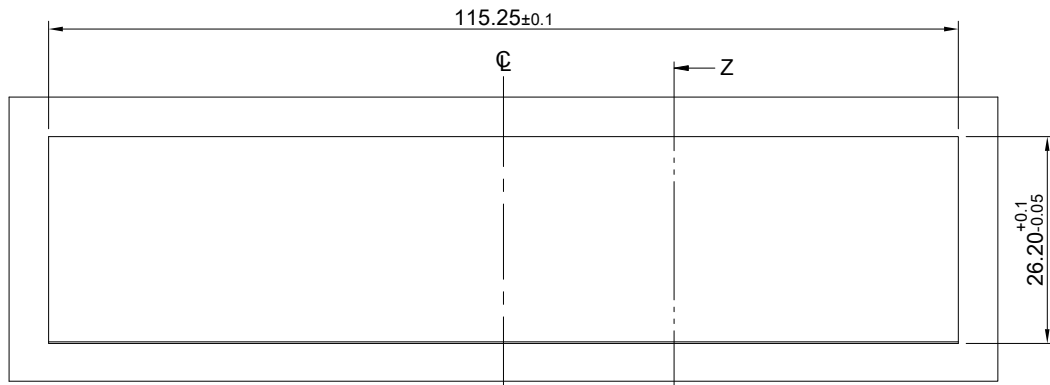
ELECTRICAL CHARACTERISTICS
 CONTACT CURRENT RATING: 0.5 AMPERE
 VOLTAGE RATING: 30 VAC
 CONTACT RESISTANCE: 80 mΩ MAX.
 DIELECTRIC WITHSTANDING VOLTAGE: 300VAC



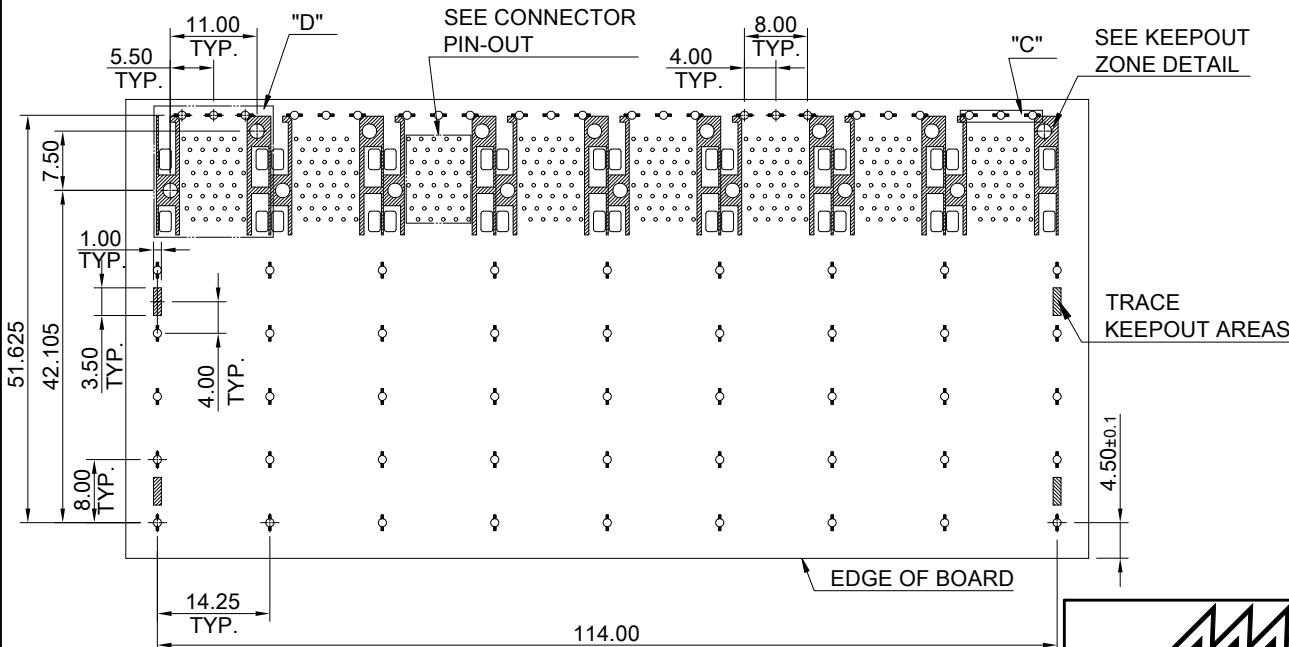
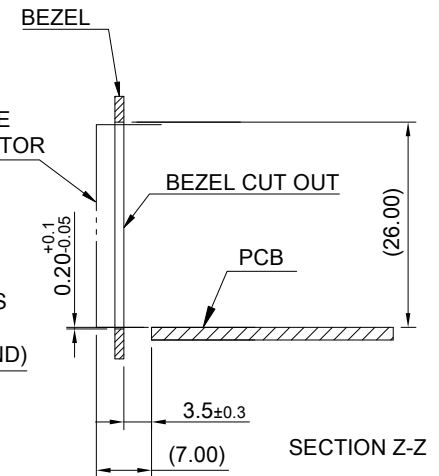
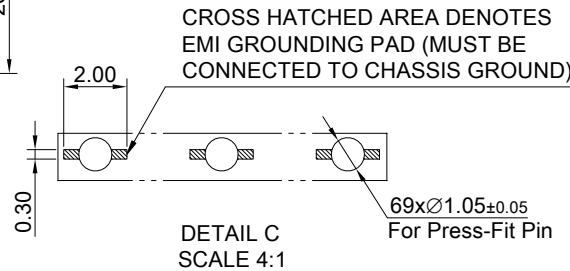
THIS PRINT IS
PRELIMINARY
 UNQUALIFIED PRODUCT
 CONTACT PRODUCT ENGINEERING
 BEFORE USING THIS PRINT



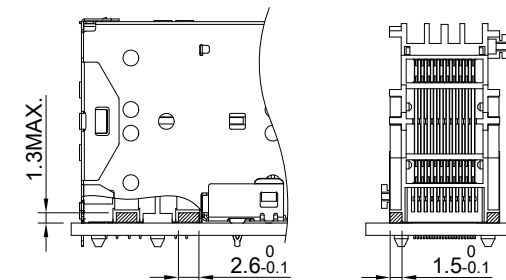
TITLE: Stacked SFP+ 2X8 ASS'Y w/ Internal Thermal Solution & Light Pipe			
DWG#: R-OP-008320-7P-F-N2-62		SHEET: 1/3	REV.: REF
UNIT: mm	SCALE: A4 2:3	FINISH:	
TOLERANCE: Angle: ± 1° X ± 0.25 .X ± 0.20 .XX ± 0.15		MATERIAL: RoHS Compliant	CHECKED:
THIRD ANGLE PROJECTION		DRAWN: Laura	APPROVED:
		DATE: 03/27/2024	




RECOMMENDED BEZEL CUT-OUT SPACING DETAIL
BEZEL THICKNESS 0.8-2.6MM

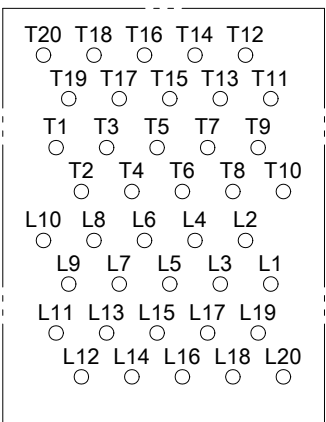
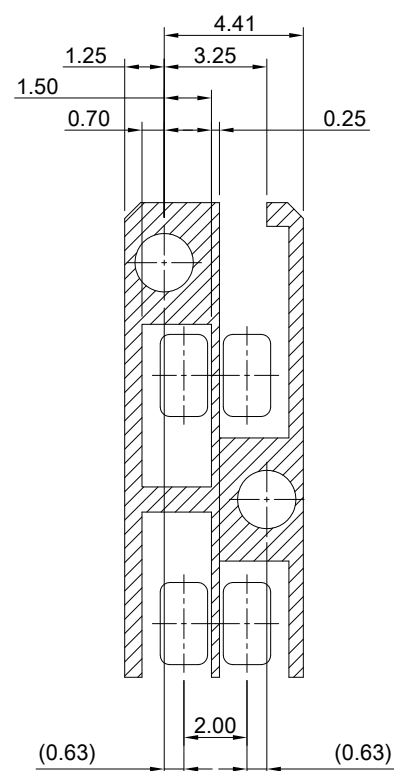
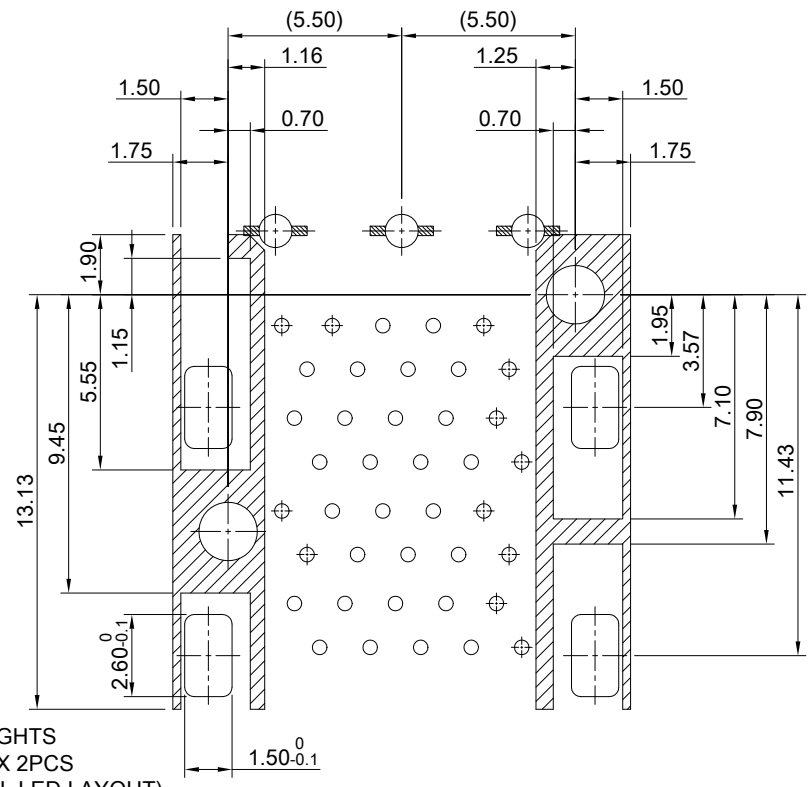
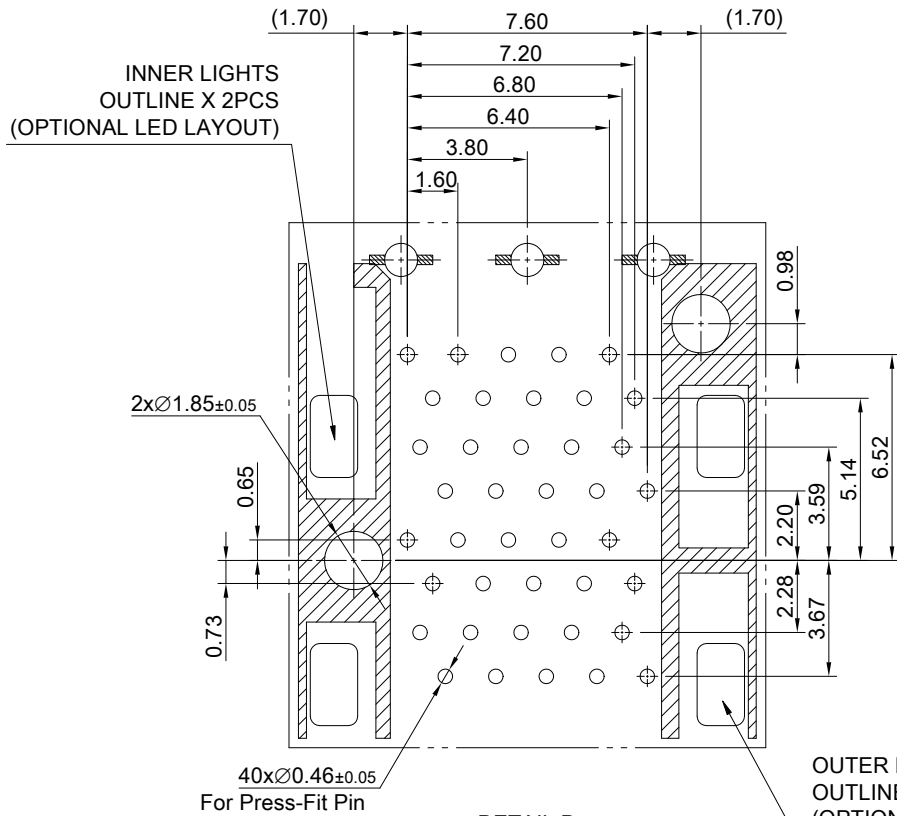


RECOMMENDED PCB LAYOUT-COMPONENT SIDE
TOLERANCE: ±0.05
RECOMMENDED PCB THICKNESS- 1.57 MM
THE ENTIRE AREA OF THE KEEPOUT AREA FOR COMPONENTS
(OTHER THAN LIGHT PIPE LED'S)
THIS AREA IS INDICATED BY THE DASHED LINE



THIS PRINT IS
PRELIMINARY
UNQUALIFIED PRODUCT
CONTACT PRODUCT ENGINEERING
BEFORE USING THIS PRINT

		TITLE: Stacked SFP+ 2X8 ASS'Y w/ Internal Thermal Solution & Light Pipe	
		DWG#: R-OP-008320-7P-F-N2-62	
UNIT: mm	SCALE: A4 1:1	FINISH:	CHECKED:
TOLERANCE: Angle: ± 1° X.± 0.15 .X± 0.10 .XX± 0.05		MATERIAL: RoHS Compliant	APPROVED:
		DRAWN: Laura	DATE: 03/27/2024



THIS PRINT IS
PRELIMINARY
UNQUALIFIED PRODUCT
CONTACT PRODUCT ENGINEERING
BEFORE USING THIS PRINT

<p>ALL BEST ELECTRONICS CO., LTD.</p>	TITLE: Stacked SFP+ 2X8 ASS'Y w/ Internal Thermal Solution & Light Pipe		SHEET: 3/3		REV. REF	
	DWG#: R-OP-008320-7P-F-N2-62			CHECKED:		APPROVED:
	UNIT: mm	SCALE: A4 4:1	FINISH:			
	THIRD ANGLE PROJECTION		MATERIAL: RoHS Compliant		DATE: 03/27/2024	
TOLERANCE: Angle: $\pm 1^\circ$ X: ± 0.15 .X: ± 0.10 .XX: ± 0.05			DRAWN: Larua			