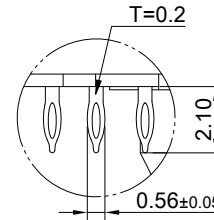
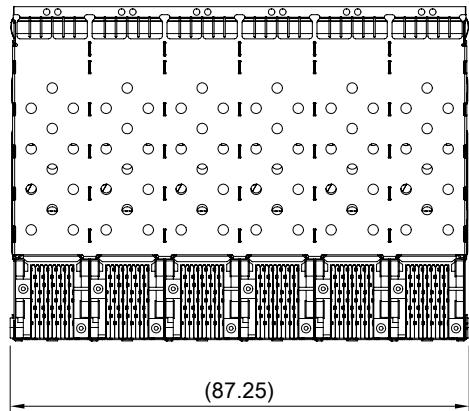
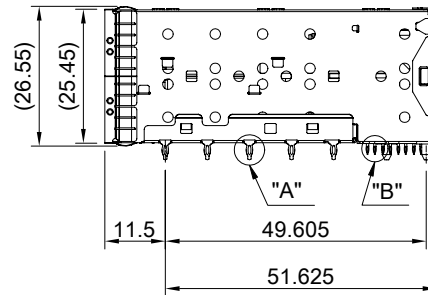
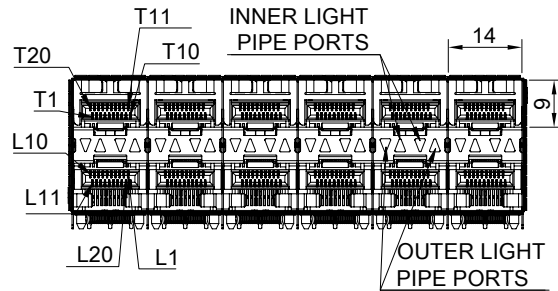
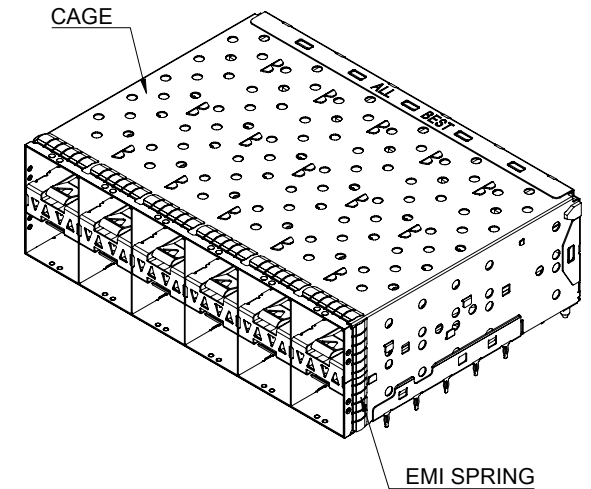


DETAIL A
SCALE 6:1



DETAIL B
SCALE 6:1



MATERIAL
 CAGE: NICKEL SILVER
 CONNECTOR: LCP 94V-0
 COPPER ALLOY
 EMI SPRING: STAINLESS STEEL
 LIGHT PIPE: PC (CLEAR)

FINISH
 CONTACT: 15μ" MIN. GOLD ON MATING END;
 30μ" MIN. MATTE TIN ON TERMINATION END;
 ALL UNDERPLATED 50μ" MIN. NICKEL

ELECTRICAL CHARACTERISTICS
 CONTACT CURRENT RATING: 0.5 AMPERE
 VOLTAGE RATING: 30 VAC
 CONTACT RESISTANCE: 80 mΩ MAX.
 DIELECTRIC WITHSTANDING VOLTAGE: 300VAC



ALL BEST
 ELECTRONICS
 CO., LTD.

THIS PRINT IS
PRELIMINARY
 UNQUALIFIED PRODUCT
 CONTACT PRODUCT ENGINEERING
 BEFORE USING THIS PRINT

TITLE: Stacked SFP+ 2X6 ASS'Y w/ Internal Thermal Solution & Light Pipe

DWG#: R-OP-008240-7P-F-N2-62

SHEET: 1/3
 REV. REF

UNIT: mm
 SCALE: A4 2:3

FINISH:

CHECKED:

THIRD ANGLE PROJECTION

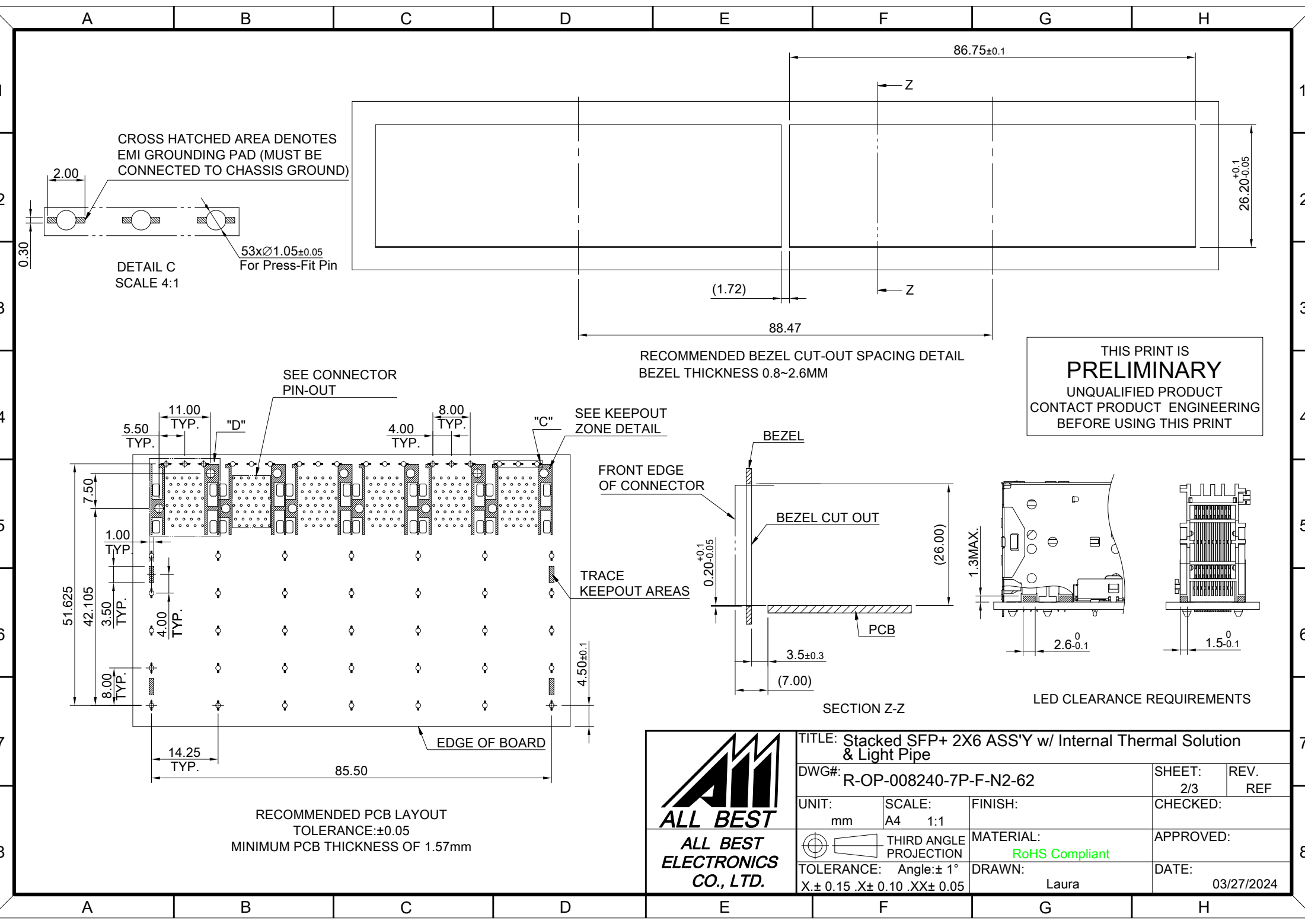
MATERIAL:
 RoHS Compliant

APPROVED:

TOLERANCE: Angle: ± 1°
 X.± 0.25 .X± 0.20 .XX± 0.15

DRAWN:
 Laura

DATE:
 03/27/2024



CROSS HATCHED AREA DENOTES EMI GROUNDING PAD (MUST BE CONNECTED TO CHASSIS GROUND)

DETAIL C SCALE 4:1

53xØ1.05±0.05 For Press-Fit Pin

RECOMMENDED BEZEL CUT-OUT SPACING DETAIL
BEZEL THICKNESS 0.8~2.6MM

THIS PRINT IS
PRELIMINARY
UNQUALIFIED PRODUCT
CONTACT PRODUCT ENGINEERING
BEFORE USING THIS PRINT

SEE CONNECTOR PIN-OUT

SEE KEEPOUT ZONE DETAIL

FRONT EDGE OF CONNECTOR

TRACE KEEPOUT AREAS

BEZEL

BEZEL CUT OUT

PCB

SECTION Z-Z

LED CLEARANCE REQUIREMENTS

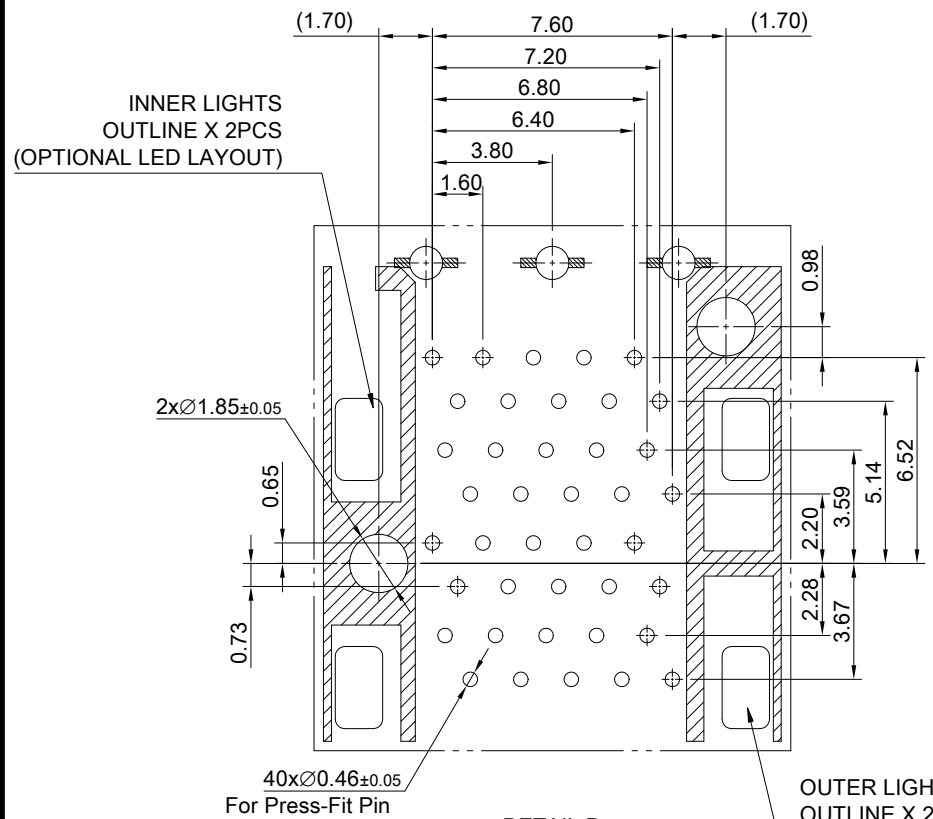
RECOMMENDED PCB LAYOUT
TOLERANCE:±0.05
MINIMUM PCB THICKNESS OF 1.57mm



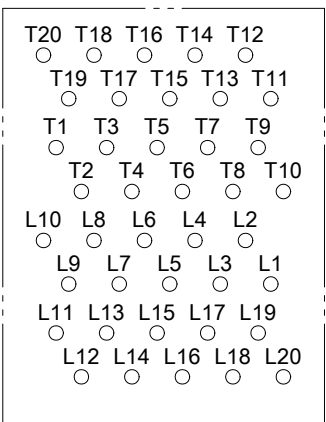
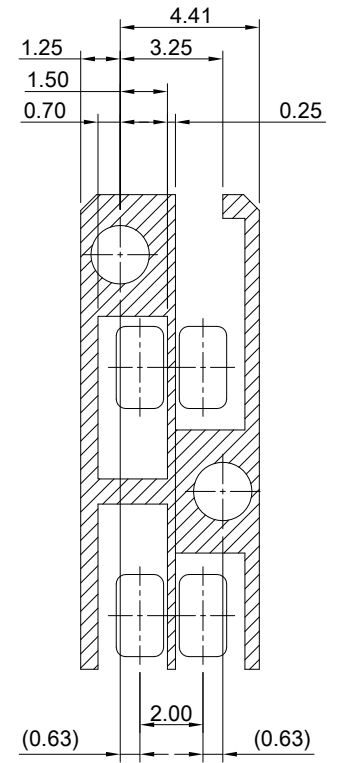
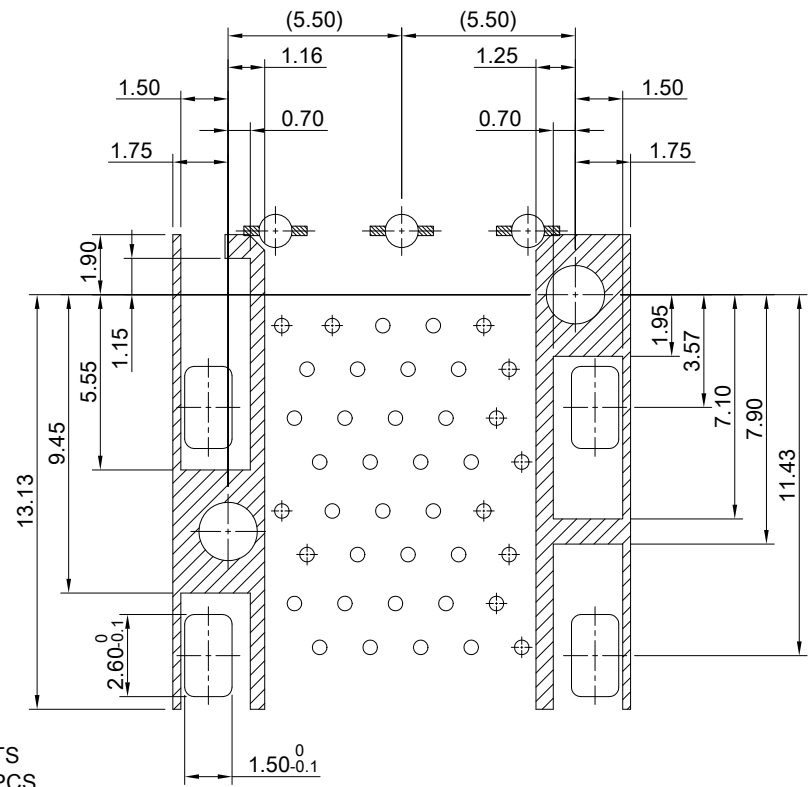
TITLE: Stacked SFP+ 2X6 ASS'Y w/ Internal Thermal Solution & Light Pipe			
DWG#: R-OP-008240-7P-F-N2-62		SHEET: 2/3	REV. REF
UNIT: mm	SCALE: A4 1:1	FINISH:	
TOLERANCE: Angle:± 1° X± 0.15 .X± 0.10 .XX± 0.05		MATERIAL: RoHS Compliant	APPROVED:
THIRD ANGLE PROJECTION		DRAWN: Laura	DATE: 03/27/2024

A B C D E F G H



1
2
3
4
5
6
7
8



DETAIL D
TOLERANCE: ± 0.05



THIS PRINT IS
PRELIMINARY
UNQUALIFIED PRODUCT
CONTACT PRODUCT ENGINEERING
BEFORE USING THIS PRINT

 ALL BEST ELECTRONICS CO., LTD.	TITLE: Stacked SFP+ 2X6 ASS'Y w/ Internal Thermal Solution & Light Pipe		SHEET: 3/3		REV. REF
	DWG#: R-OP-008240-7P-F-N2-62		CHECKED:		
UNIT: mm	SCALE: A4 4:1	FINISH:		APPROVED:	
 THIRD ANGLE PROJECTION		MATERIAL: RoHS Compliant		DATE: 03/27/2024	
TOLERANCE: Angle: $\pm 1^\circ$ X: ± 0.15 .X: ± 0.10 .XX: ± 0.05		DRAWN: Laura			

A B C D E F G H