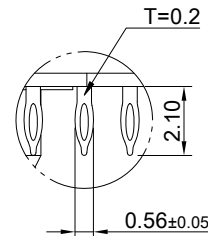
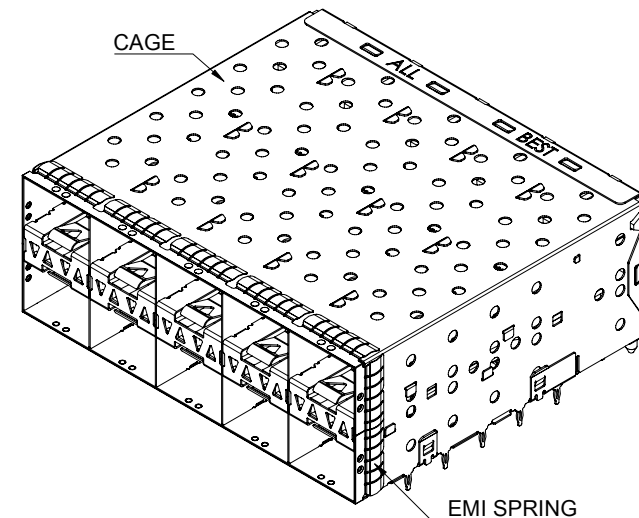


DETAIL A
SCALE 5:1



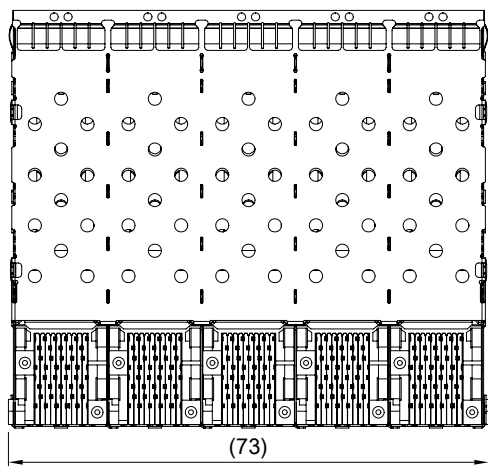
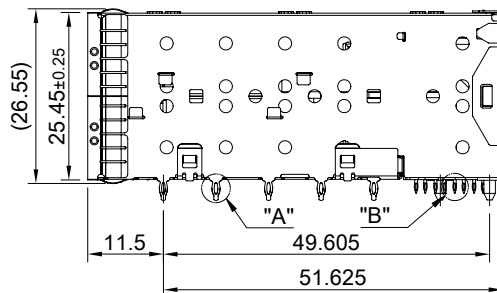
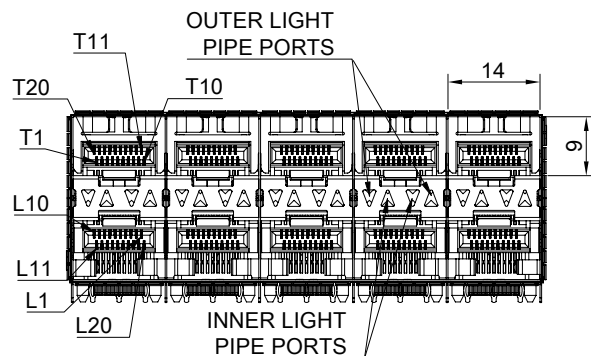
DETAIL B
SCALE 5:1



MATERIAL
 CAGE: NICKEL SILVER
 LIGHT PIPE: PC
 CONNECTOR: LCP 94V-0
 COPPER ALLOY
 EMI SPRING: STAINLESS STEEL

FINISH
 CONTACT: 15µ" MIN. GOLD ON MATING END;
 30µ" MIN. MATTE TIN ON TERMINATION END;
 ALL UNDERPLATED 50µ" MIN. NICKEL

ELECTRICAL CHARACTERISTICS
 CONTACT CURRENT RATING: 0.5 AMPERE
 VOLTAGE RATING: 30 VAC
 CONTACT RESISTANCE: 80 mΩ MAX.
 DIELECTRIC WITHSTANDING VOLTAGE: 300 VAC



TITLE: Stacked SFP+ 2X5 ASS'Y w/ Internal Thermal Solution & Light Pipe

DWG#: R-OP-008200-7-F-N2-62

SHEET: 1/3
 REV. REF

UNIT: mm
 SCALE: A4 5:6

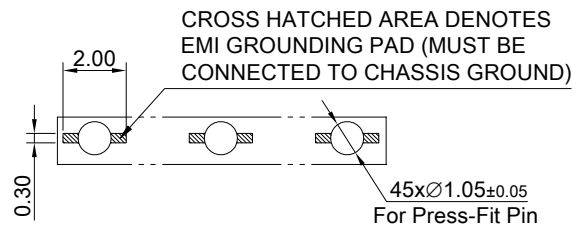
FINISH:
 CHECKED:

THIRD ANGLE PROJECTION

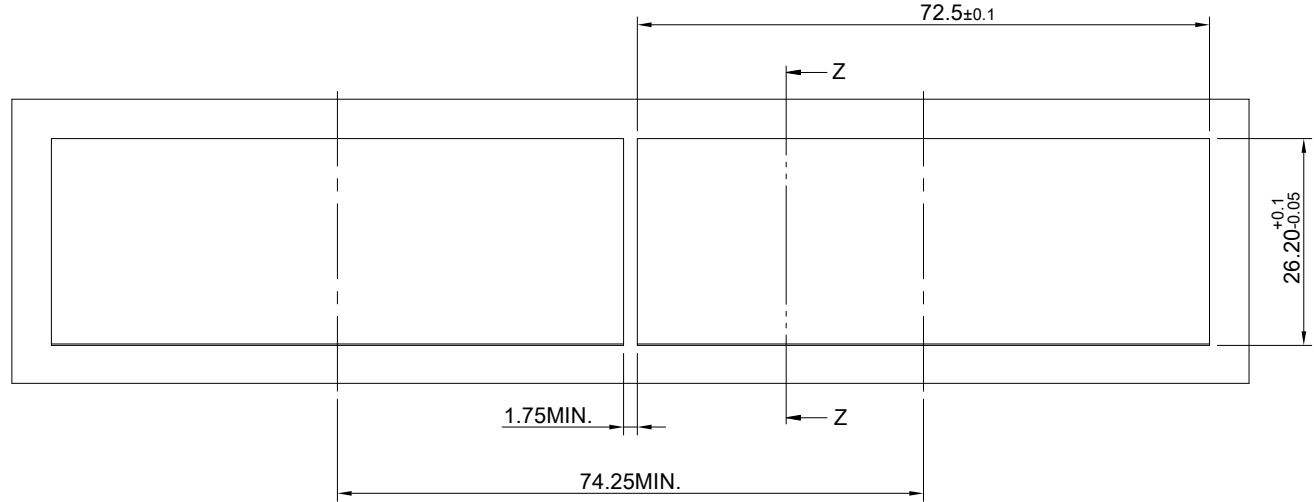
MATERIAL: RoHS Compliant
 APPROVED:

TOLERANCE: Angle: ± 1°
 X ± 0.25 .X ± 0.20 .XX ± 0.15

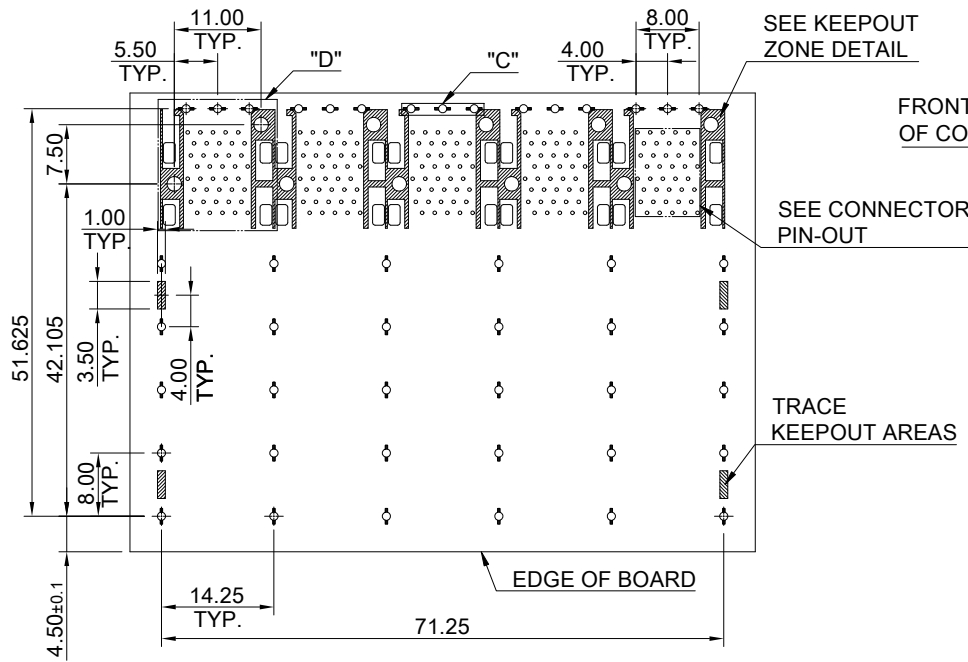
DRAWN: Laura
 DATE: 03/14/2024



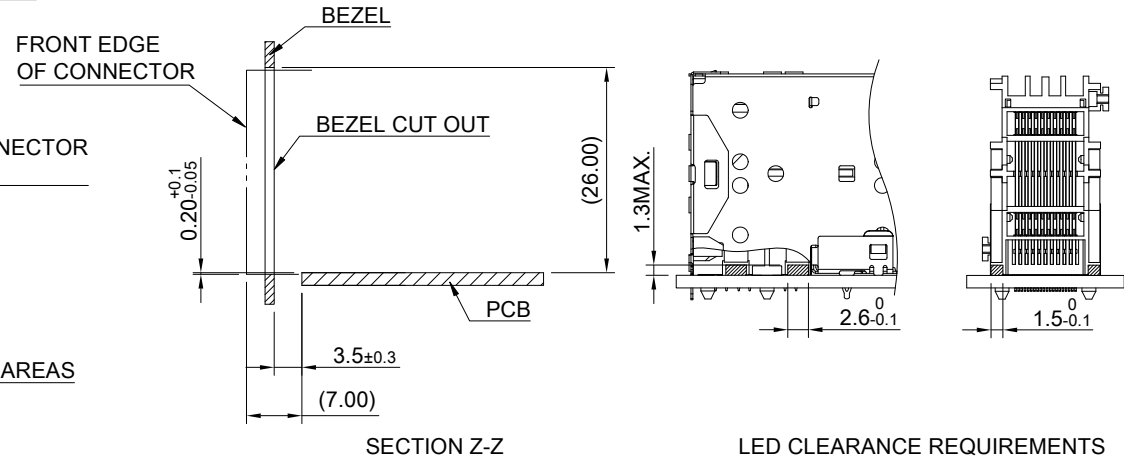
DETAIL C
SCALE 4:1



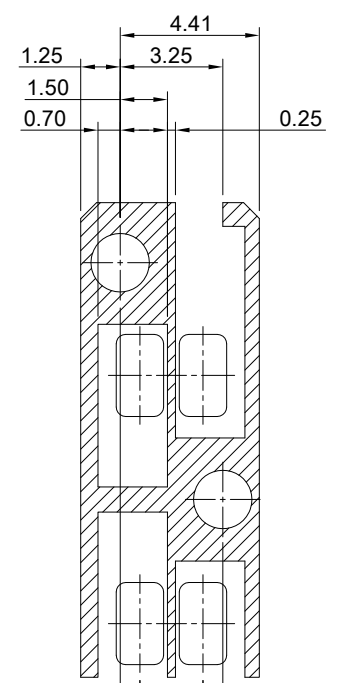
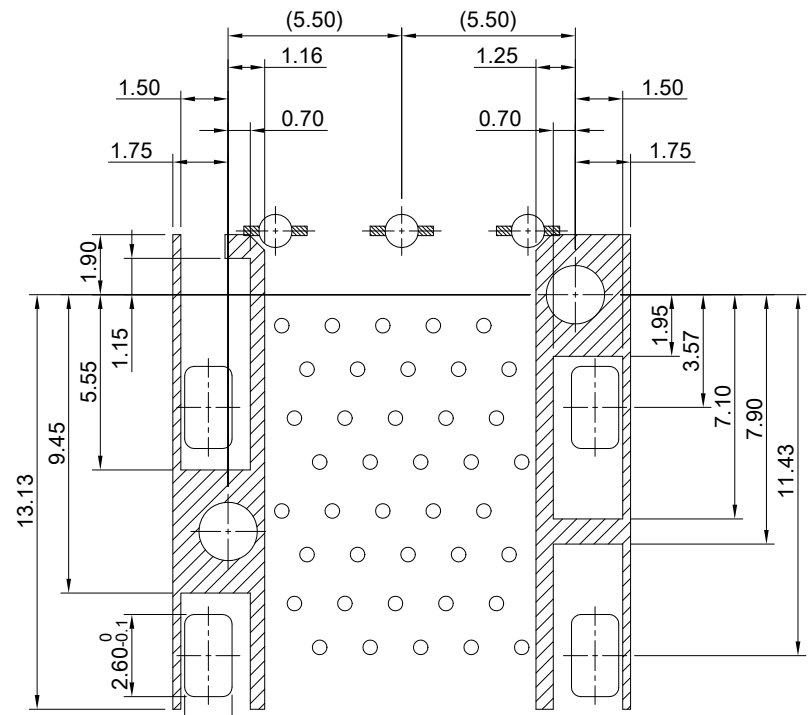
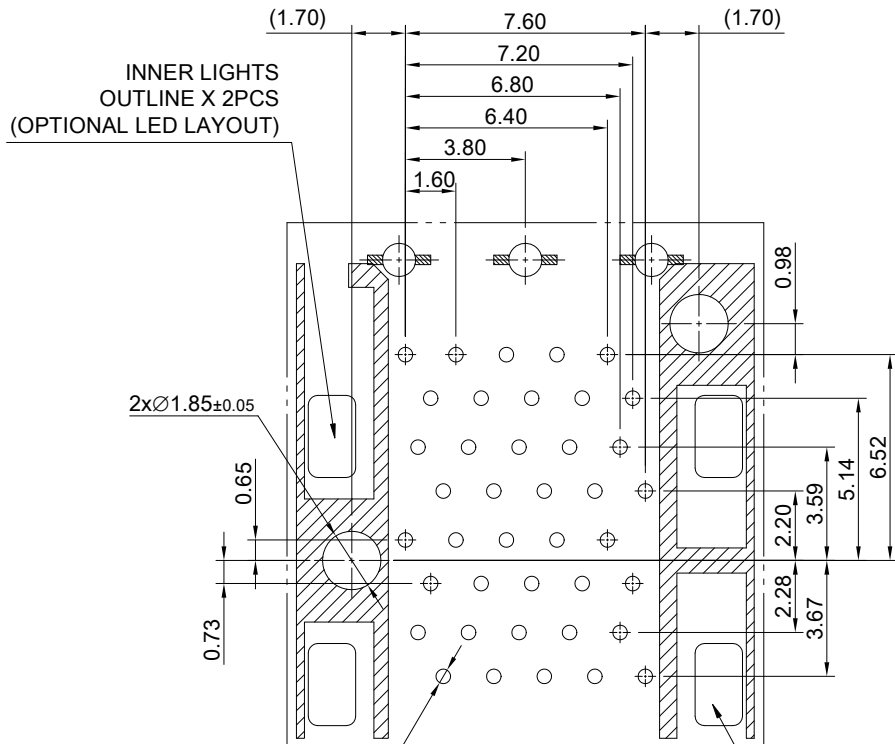
RECOMMENDED BEZEL CUT-OUT SPACING DETAIL
BEZEL THICKNESS 0.8~2.6MM



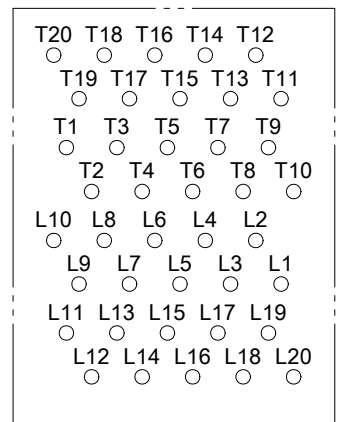
RECOMMENDED PCB LAYOUT
TOLERANCE: ±0.05
MINIMUM PCB THICKNESS OF 1.57mm



	TITLE: Stacked SFP+ 2X5 ASS'Y w/ Internal Thermal Solution & Light Pipe			SHEET: 2/3		REV.: REF	
	DWG#: R-OP-008200-7-F-N2-62			CHECKED:		APPROVED:	
UNIT: mm	SCALE: A4 1:1	FINISH:		DRAWN: Laura		DATE: 03/14/2024	
TOLERANCE: Angle: ± 1° X ± 0.15 .X ± 0.10 .XX ± 0.05		THIRD ANGLE PROJECTION	MATERIAL: RoHS Compliant		DATE:		



KEEPOUT ZONE DETAIL



<p>ALL BEST ELECTRONICS CO., LTD.</p>	<p>TITLE: Stacked SFP+ 2X5 ASS'Y w/ Internal Thermal Solution & Light Pipe</p>		<p>SHEET: 3/3</p>		<p>REV. REF</p>
	<p>DWG#: R-OP-008200-7-F-N2-62</p>		<p>CHECKED:</p>		<p>APPROVED:</p>
<p>UNIT: mm</p>	<p>SCALE: A4 4:1</p>	<p>FINISH:</p>		<p>DATE: 03/14/2024</p>	
<p>TOLERANCE: Angle: $\pm 1^\circ$ X. ± 0.15 .X ± 0.10 .XX ± 0.05</p>		<p>THIRD ANGLE PROJECTION</p>	<p>MATERIAL: RoHS Compliant</p>		<p>DRAWN: Laura</p>