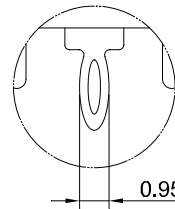
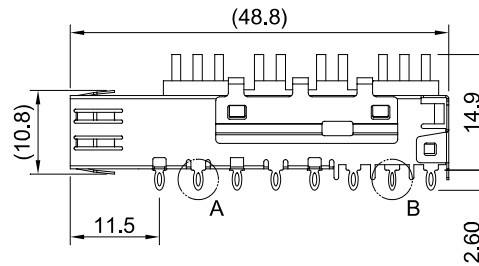
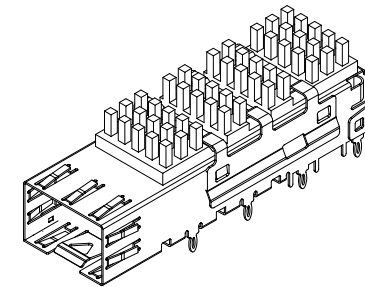


DETAIL A  
SCALE 4:1



DETAIL B  
SCALE 4:1

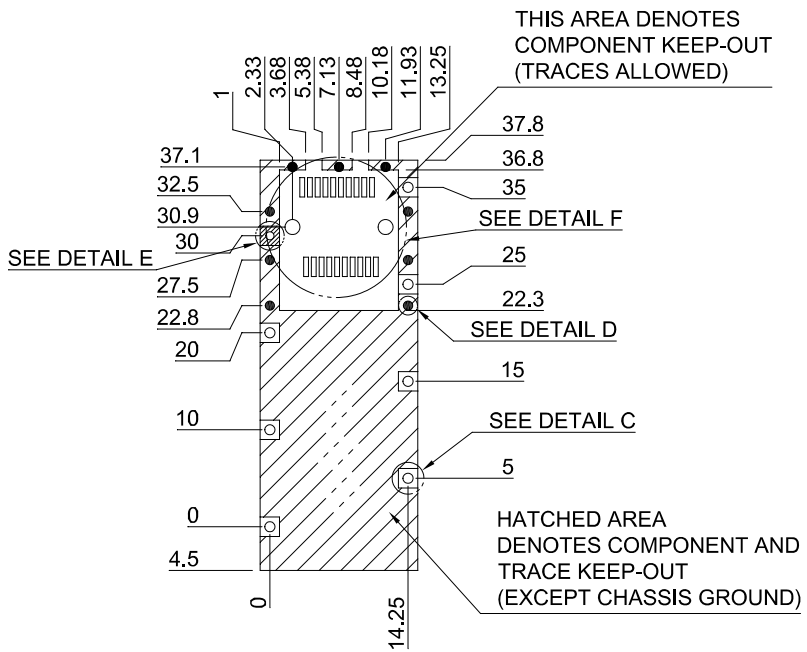


MATERIAL  
CAGE: NICKEL SILVER  
HEAT SINK: ALUMINUM  
HEAT SINK CLIP: STAINLESS STEEL

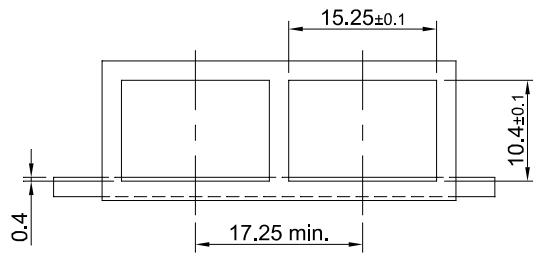
FINISH  
HEAT SINK: ANODE PROCESS



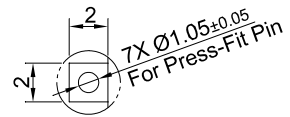
TITLE: SFP+ Cage One-Piece Press Fit Pins w/ Heat Sink			
DWG#: R-SH-008020-6-K-02		SHEET: 1/2	REV. C
UNIT: mm	SCALE: A4 1:1	FINISH:	CHECKED: Gary Kang
TOLERANCE: Angle: ± 1° X: ± 0.25 .X: ± 0.20 .XX: ± 0.15		MATERIAL: RoHS Compliant	APPROVED: George Yang
THIRD ANGLE PROJECTION		DRAWN: Boris	DATE: 01/27/2016



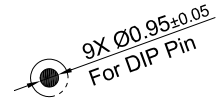
RECOMMENDED PCB LAYOUT  
TOLERANCE:  $\pm 0.05$



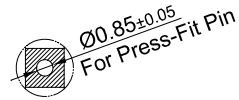
RECOMMENDED BEZEL CUT-OUT



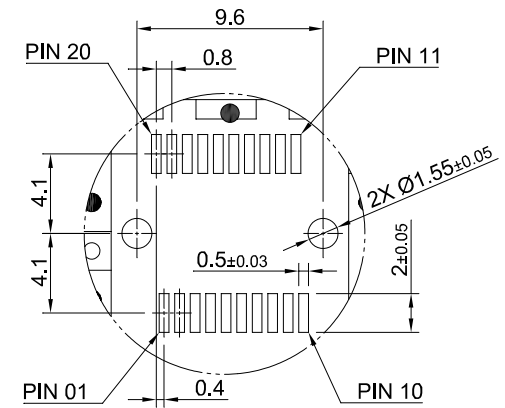
DETAIL C  
SCALE 2:1



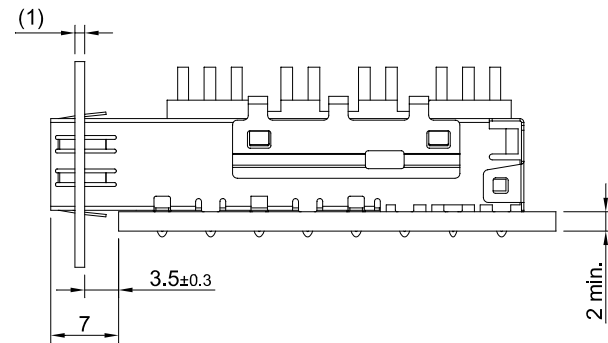
DETAIL D  
SCALE 2:1



DETAIL E  
SCALE 2:1



DETAIL F  
SCALE 2:1



	TITLE: SFP+ Cage One-Piece Press Fit Pins w/ Heat Sink			SHEET: 2/2		REV. C
	DWG#: R-SH-008020-6-K-02			CHECKED: Gary Kang		
	UNIT: mm	SCALE: A4 5:4	FINISH:	APPROVED: George Yang		
	TOLERANCE: Angle: $\pm 1^\circ$ X: $\pm 0.15$ .X: $\pm 0.10$ .XX: $\pm 0.05$		MATERIAL: RoHS Compliant	DATE: 01/27/2016		
THIRD ANGLE PROJECTION		DRAWN: Boris				